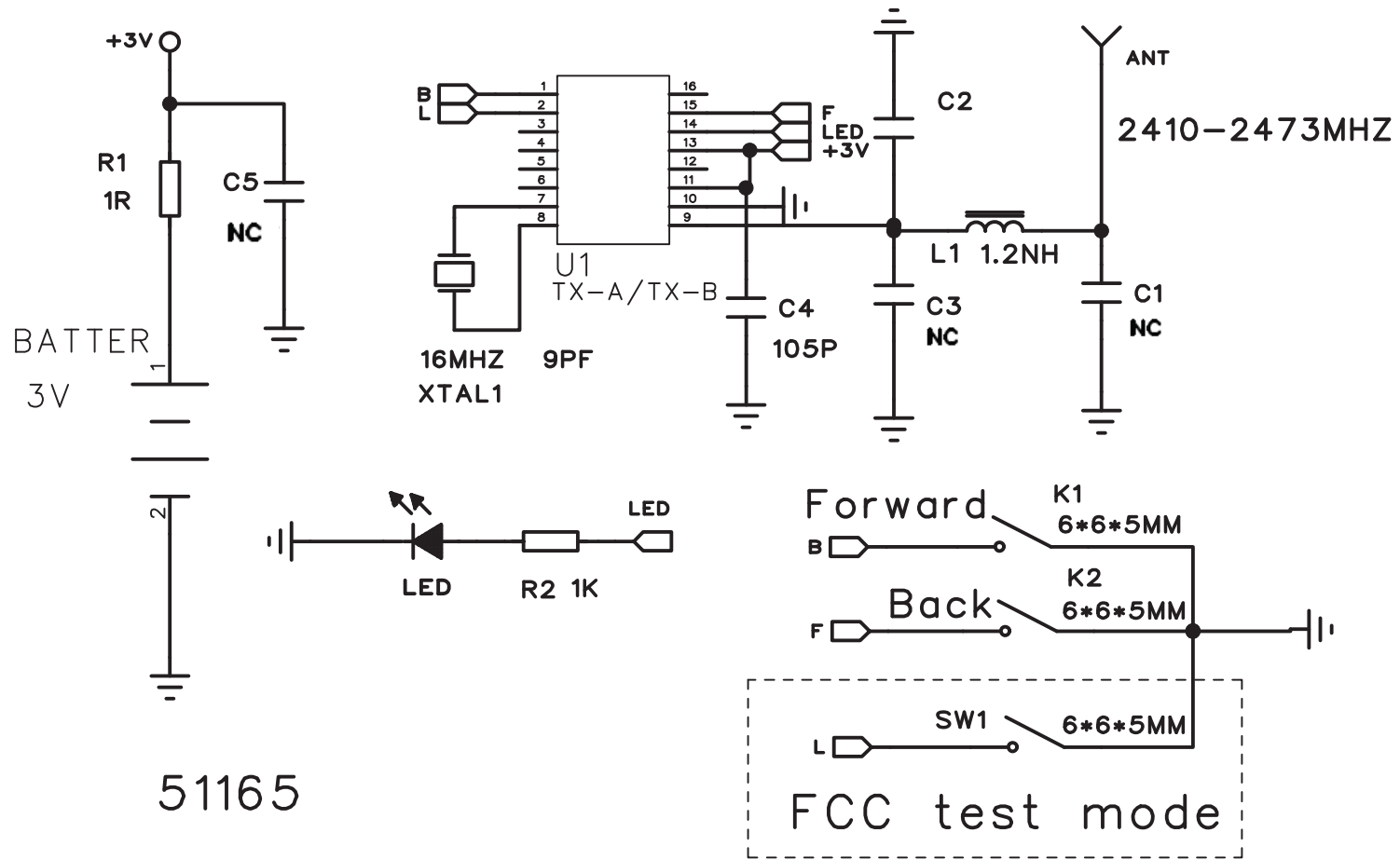


Schematic diagram



51165