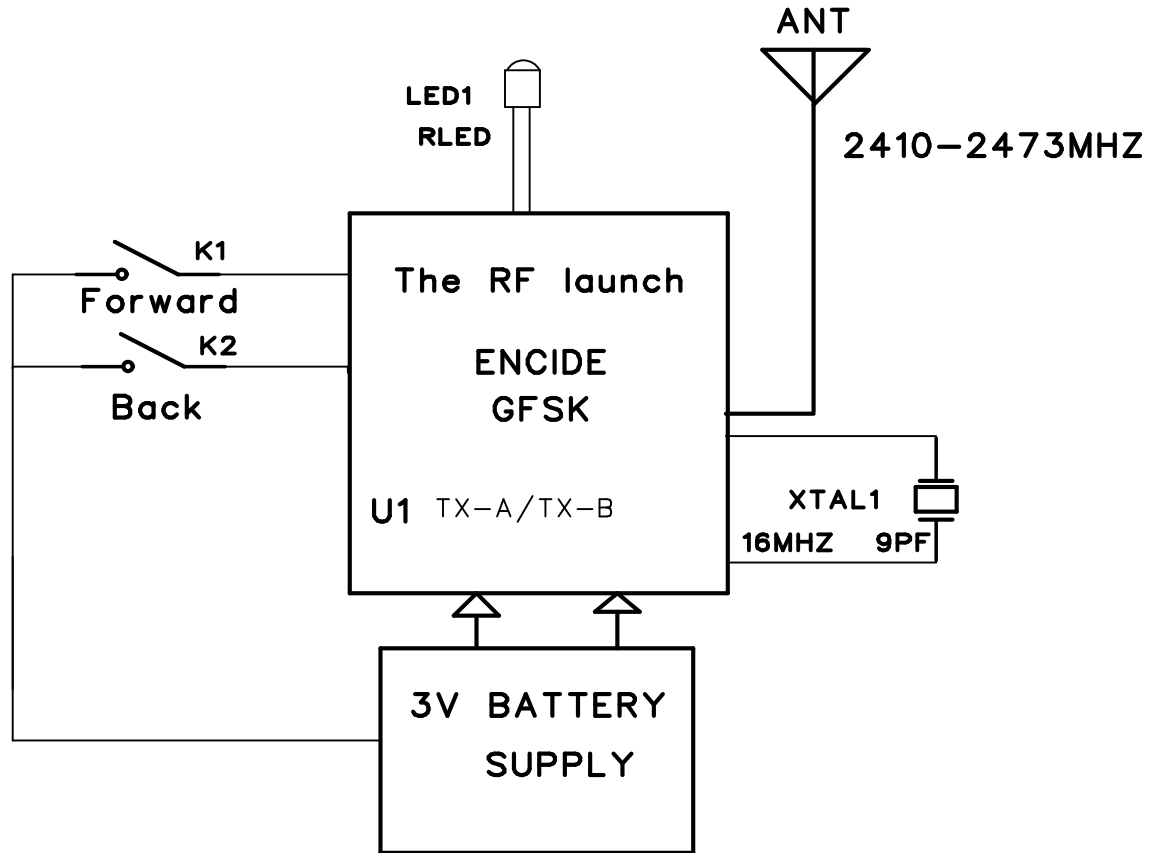


Block diagram of transmitting plate



MOEDL:51165