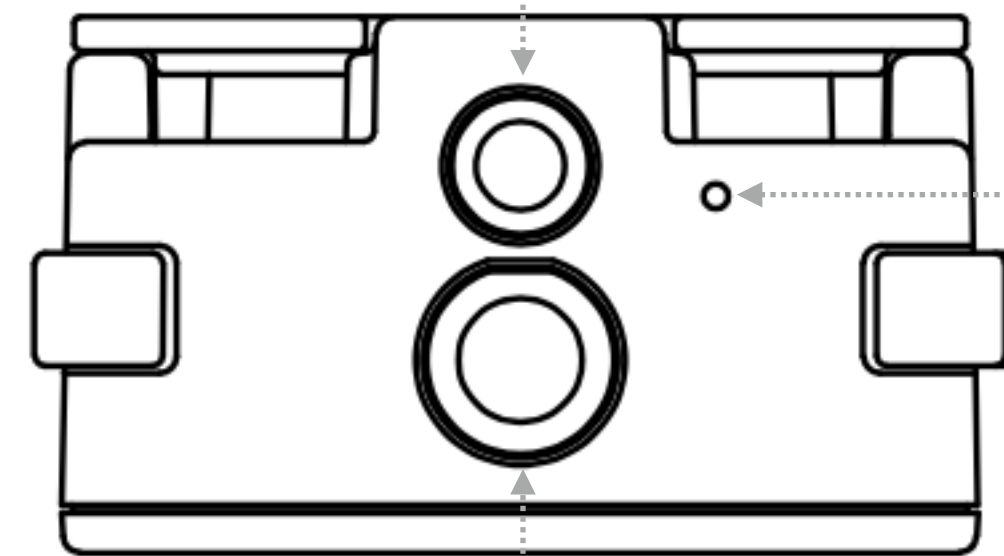


Qudelix-5k DAC AMP User Manual

MARCH 2020

- **Bluetooth 5.0**
- **Qualcomm QCC5124 Bluetooth Chipset**
- **Dual ES9218P SABRE HiFi® DAC**
 - Note: 3.5mm output works with single DAC only. Dual DAC is available with 2.5mm output.
- **aptX Adaptive, LDAC, AAC, aptX-HD, aptX, SBC**
- **High-Resolution USB DAC 96KHz / 24-bit**
- **10-band Double Precision GEQ/PEQ**
- **High Sensitivity 3-Dimensional LDS(Laser Direct Structuring) Antenna**
 - Bluetooth Range more than 10 meters
- **Qualcomm® cVc™ noise cancellation technology**
- **High Sensitivity MEMS Microphone**
- **Four Multi-functional Buttons & Two LEDs**
- **Over-the-Air firmware update**
- **Material**
 - Plastic Body (Black) with anti-scratch UV Coating
 - Aluminium Clip (Dark Gray)

2.5mm Balanced Audio Output
Max. 2V RMS (80mWatt/Ch)



Built-In Microphone

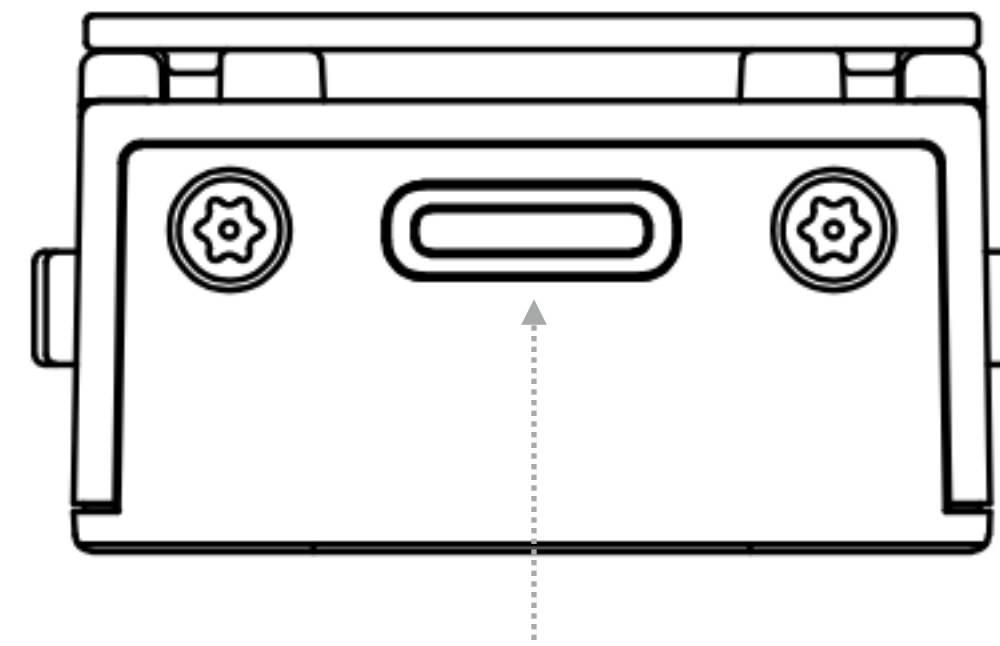
3.5mm Unbalanced Audio Output
Max. 4V RMS (240mWatt/Ch)

WARNING

Warranty void if opened

DO NOT disassemble or open the case.

The top and bottom parts are tightly bonded internally and can't be opened even if the screws are removed.



USB-C

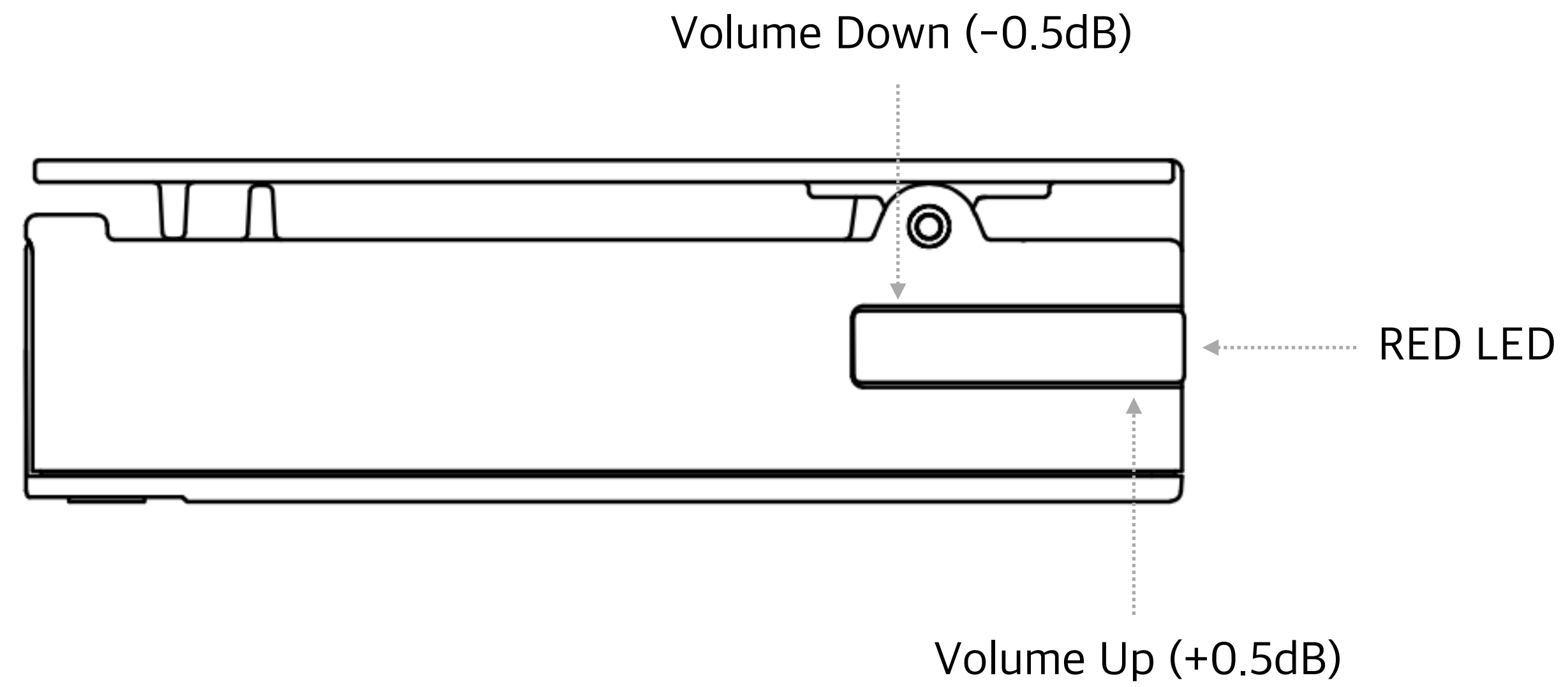
500mA Battery (2.5 Hours Charging Time)

USB Audio Class 1.0

44.1/48/88.2/96KHz 24-bit

NOTE:

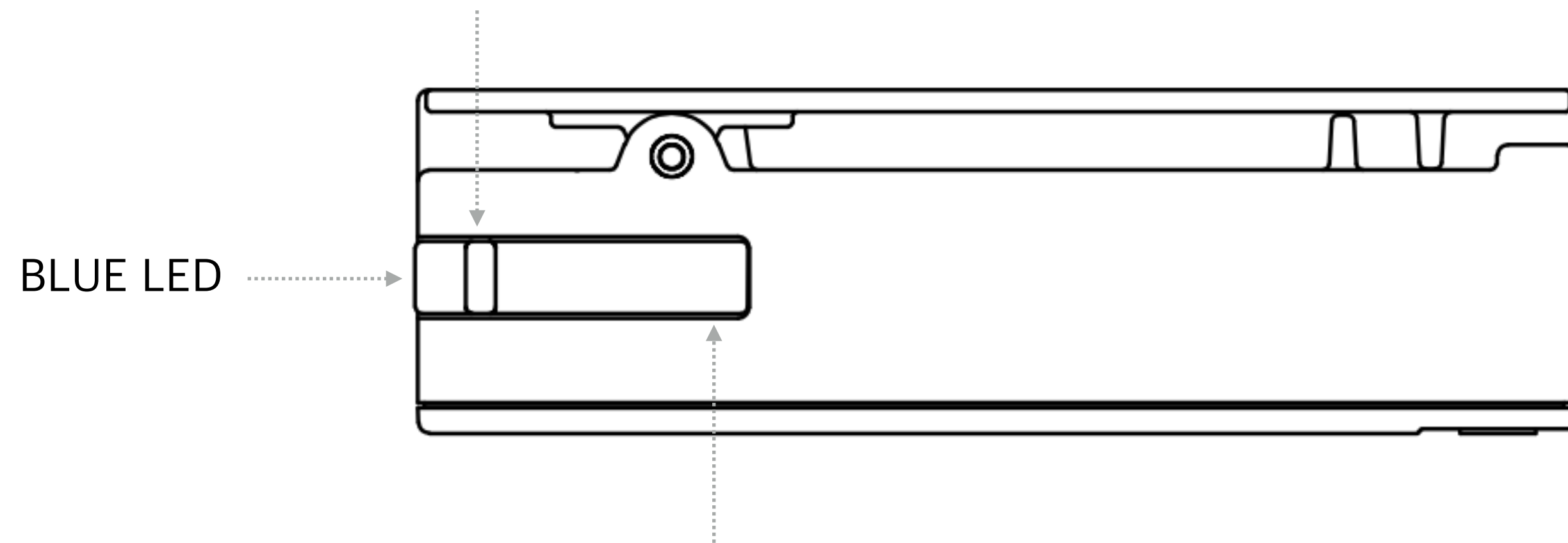
Any standard 5V USB charger, USB-C PD charger or PC USB port can charge 5K DA/AMP. 5K DAC/AMP does NOT support fast charge. With any charger source, the maximum charging current is limited up to 200mA by 5K DAC/AMP.



NOTE:

A firmware update may change the button functionality.

Pairing Mode (long press 3 sec)
Play/Pause (Single Click)
Next Track (Double Click)
Answer Incoming Call (Single Click)



Power On/Off (long press 3 sec)
Previous Track (Double Click)

NOTE:

A firmware update may change the button functionality.

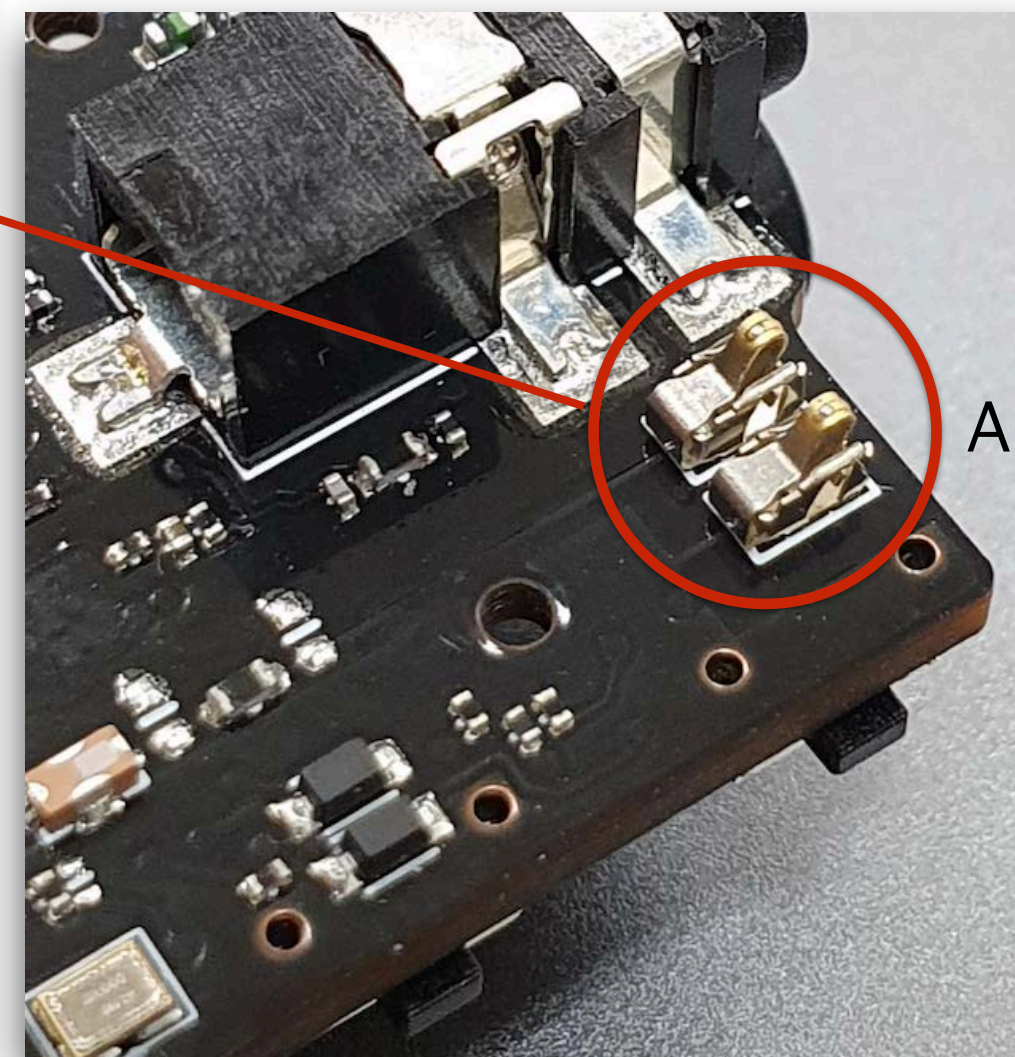


3-Dimensional LDS(Laser Direct Structuring) ANTENNA

LDS Antenna is printed on the bottom case. Between the top case and the red LED button.

NOTE:

5K provides the best RF performance in most use cases. However, for the optimal performance, please keep this area away from any metallic surfaces.



Antenna Finger Spring

- **One year warranty**
 - From the date of the first app connection
 - Automatically activated from the first connection with the companion mobile app
 - Any problem arises due to a defect in manufacturing the product will be repaired or replaced by Qudelix
 - The warranty is transferable and is not limited to the original purchaser
- **Any issue caused by accident or misuse**
 - Can be replaced with a refurbished product at customer's charge & shipping fee
- **For any purchase from local distributors**
 - The respective distributor is responsible for the warranty and will handle the case directly.
- **WARNING**
 - Warranty void if the case opened
 - DO NOT disassemble or open the case.
 - The top and bottom parts are tightly bonded internally and can't be opened even if the screws are removed
- **support@qudelix.com**
 - Please contact customer support through email
 - Will reply to you within two business days

Class B

FCC Information to User

This equipment has been tested and found to comply with the limits for a Class B digital device, pursuant to Part 15 of the FCC Rules. These limits are designed to provide reasonable protection against harmful interference in a residential installation. This equipment generates, uses and can radiate radio frequency energy and, if not installed and used in accordance with the instructions, may cause harmful interference to radio communications. However, there is no guarantee that interference will not occur in a particular installation. If this equipment does cause harmful interference to radio or television reception, which can be determined by turning the equipment off and on, the user is encouraged to try to correct the interference by one of the following measures:

- Reorient or relocate the receiving antenna.
- Increase the separation between the equipment and receiver.
- Connect the equipment into an outlet on a circuit different from that to which the receiver is connected.
- Consult the dealer or an experienced radio/TV technician for help.

Caution

Modifications not expressly approved by the party responsible for compliance could void the user's authority to operate the equipment.

FCC Compliance Information : This device complies with Part 15 of the FCC Rules. Operation is subject to the following two conditions: (1) This device may not cause harmful interference, and (2) this device must accept any interference received, including interference that may cause undesired operation

CAUTION: Exposure to Radio Frequency Radiation.
Antenna shall be mounted in such a manner to minimize the potential for human contact during normal operation. The antenna should not be contacted during operation exceeding the FCC radio frequency exposure limit.