

Instruction Manual

Retro AM/ FM Radio with Bluetooth

Gaumont/ AM29



Getting to know your Retro FM/AM Radio/BT

You'll be up and running in no time

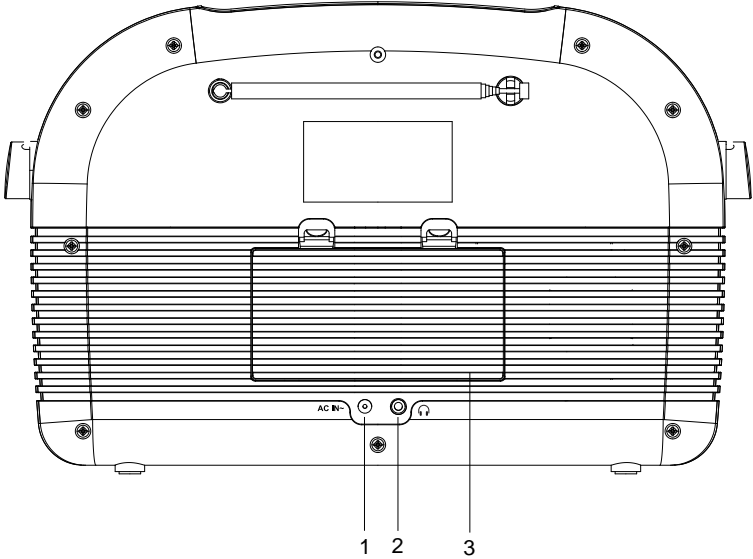
Ready? Let's begin...

Please read these instructions carefully. They contain important information which will help you get the best from your product and ensure safe and correct installation and operation.

If you require any further assistance, our technical experts are happy to help. For full details, refer to the product support section at the end of these instructions.

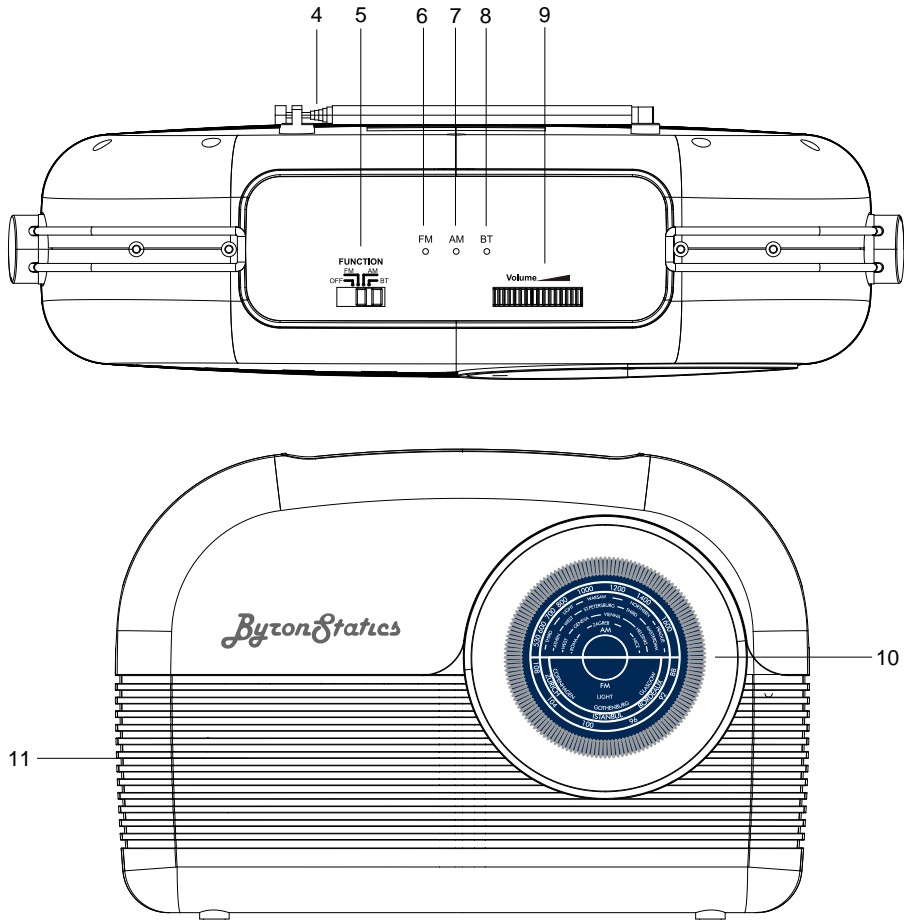
Your Retro FM/AM Radio/BT - Outview

Fig 1.



Your Retro FM/AM Radio/BT Outview

Fig 2.



- 1. AC in jack (AC/AC Power adaptor)
- 2. Earphone jack
- 3. Battery compartment
- 4. Telescopic antenna
- 5. Function select switch

- 6. FM Function indicator LED
- 7. AM Function indicator LED
- 8. BT Function indicator LED
- 9. Volume control knob
- 10. Tuning knob
- 11. Speaker

Using your Retro FM/AM Radio/BT

Connection

1. Connect the AC/AC power adaptor to 'AC IN' jack on the back of the Radio and fully extend the radio aerial in a vertical position to obtain the maximum signal strength.
2. Plug the AC/AC power adaptor into the mains power wall socket and switch on.
3. Slide the OFF/FM/AM/BT function switch to select mode (AM/FM/BT).

Inserting the batteries (optional)

1. Before installing the batteries (not included) please ensure that the Radio is switched off (Slide the OFF/FM/AM/BT function switch to 'OFF') and is unplugged the AC/AC power adaptor into the mains power wall socket.
2. On the back of the Radio, push down the tabs to release and remove the battery compartment cover.
3. Insert 4 x 1.5V 'C' size (also known as LR-14) batteries, making sure to note the '+' and '-' markings and position the batteries the correct way around.
4. Replace the battery cover, making sure it 'clicks' shut.

If used continuously on battery power, your Radio has an approximate battery life of 5 hours when using good quality alkaline batteries. When the battery power is low, please switch off the Radio and replace the batteries.

Note: For battery operation please ensure that the mains power is switched off and remove the AC/AC power adaptor plug from the socket on the back of the Radio.

Switch on/Change mode (AM/FM/BT).

Slide the OFF/FM/AM/BT function switch to select mode 'AM/FM/BT'. Into any mode for the product 'ON'

Note: Always make sure that the aerial is fully extended, to ensure the maximum signal strength and the best possible sound quality.

Using your Retro FM/AM Radio/BT

Switch off

Slide the OFF/FM/AM function switch to 'OFF' position. To completely switch off the Radio, switch off the mains power at the wall socket.

Adjusting the volume

Turn the rotary volume wheel on the top of the radio, anti-clockwise to decrease the volume and clockwise to increase the volume.

Telescopic aerial

Please make sure that the aerial on the back of the Radio is fully extended before you attempt to tune to an FM station. This will ensure that the maximum signal strength is available when the Radio is tuning to a station. Extending the aerial also ensures the best possible sound quality.

FM Radio mode

Slide the function switch to the FM position, the FM indicator LED(6) will be on.

Tuning to an FM station

In FM mode:

Use the rotary tuning dial on the front of the radio to tune to your favourite FM station. Please use the frequencies marked on the dial as a guide.

The tuning dial will move both clockwise and anti-clockwise but does have a 'stop' point. If you turn the tuning dial and reach the 'stop' point, please turn the dial in the opposite direction to tune.

Note: If reception is still poor, check that the aerial is fully extended and then adjust the tuning dial slowly, or try moving the Radio to another location.

AM Radio mode

Slide the function switch to the AM position, the FM indicator LED (7) will be on.

Tuning to an AM station

In AM mode:

Use the rotary tuning dial on the front of the radio to tune to your favourite AM station. Please use the frequencies marked on the dial as a guide.

The tuning dial will move both clockwise and anti-clockwise but does have a 'stop' point. If you turn the tuning dial and reach the 'stop' point, please turn the dial in the opposite direction to tune.

Note: If reception is still poor, check that the aerial is fully extended and then adjust the tuning dial slowly, or try moving the Radio to another location.

Bluetooth operation

1. Slide the function switch to the BT position, the blue indicator LED (8) will begin to flash.
2. Turn your devices Bluetooth setting on, and search devices.
3. Select the Bluetooth pairing name 'Gaumont' or 'AM29' to connect to the Radio device.

The devices are now connected and will hear a voice prompts 'Bluetooth connected successfully'.

4. Once you are connected the blue indicator LED will stop flashing, you can now play music.

Note: After initial pairing the Radio device will stay paired to your device.

To unpair, you need to manually remove it from your Bluetooth device. and will hear a voice prompts 'Bluetooth disconnected'.

Using earphone (not included)

You can connect earphones with a 3.5 mm plug to the radio, plug in the earphones into the earphone jack 3.5 mm (2) on the backside of the radio.

Adjust a pleasant sound volume, the radio speaker (11) will be muted as long as earphone is connected



Warning! Ensure that children don't adjust the sound volume too high.

Excessive sound pressure from earphones and headphones can cause hearing loss.

Note: When you have earphones connected the radio speakers (11) are switched off and all sound is via the earphones

Technical data

Power source: Input AC:120V~/60Hz
Power adaptor: Input:120V~ 60Hz 5W
Output:5.0V~, 400mA

Batteries: 4 x 1.5V C size (LR14)
(Optional, not supplied)

Frequency range: AM: 520 - 1710 KHz
FM: 88 - 108 MHz
BT: 2402 - 2480 MHz

Any support you need, anything you feel like to share, You are more than welcome to contact us. customerservice@tinno.com

FCC ID: 2AVTM-GAUMONT

This device complies with Part 15 of the FCC Rules. Operation is subject to the following two conditions:

- (1) This device may not cause harmful interference,
- (2) This device must accept any interference received, including interference that may cause undesired operation.

CAUTION

Changes or Modifications not expressly approved by the party responsible could void the user's authority to operate this device.

This equipment has been tested and found to comply with the limits for a Class B digital device, pursuant to Part 15 of the FCC Rules. These limits are designed to provide reasonable protection against harmful interference in a residential installation. This equipment generates, uses and can radiate radio frequency energy and, if not installed and used in accordance with the instructions, may cause harmful interference to radio communications. However, there is no guarantee that interference will not occur in a particular installation.

If this equipment does cause harmful interference to radio or television reception, which can be determined by turning the equipment off and on, the user is encouraged to try to correct the interference by one or more of the following measures:

- Reorient or relocate the receiving antenna.
- Increase the separation between the equipment and receiver.
- Connect the equipment into an outlet on a circuit different from that to which the receiver is connected.
- Consult the dealer or an experienced radio/TV technician for help.

This equipment complies with the FCC RF radiation exposure limits set forth for an uncontrolled environment. This equipment should be installed and operated with a minimum distance of 20 centimeters between the radiator and your body.