

Model	CP42	Version	G	Date: 2021.04.09
-------	------	---------	---	------------------

**■ Item**

A: Machine (Service Door)-Laser/Label

B: Carton-Label/Printing

Caption of Laser/Labe/Printing :

1. Content
2. Position
3. Dimension

© A-Machine (Service Door)***Laser****1. Content**

- a. Include Logo, Power info, S/N , FCC ID (LTE + WiFi) , Model No., UL No. and Identification mark

connectpoint®

POWER:12VDC S/N:M42Q46TCB15S001

CONTAINS FCC ID:UDV-201710

FCC ID:2AVTJ-CP42

MODEL:CP42 UL:E519250



RoHS



b.

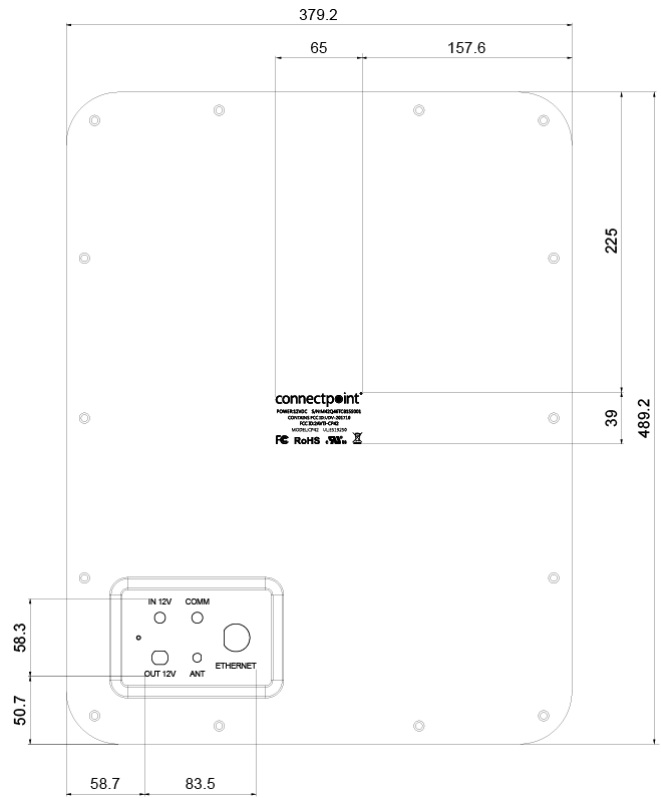
IN 12V COMM

OUT 12V ANT

ETHERNET

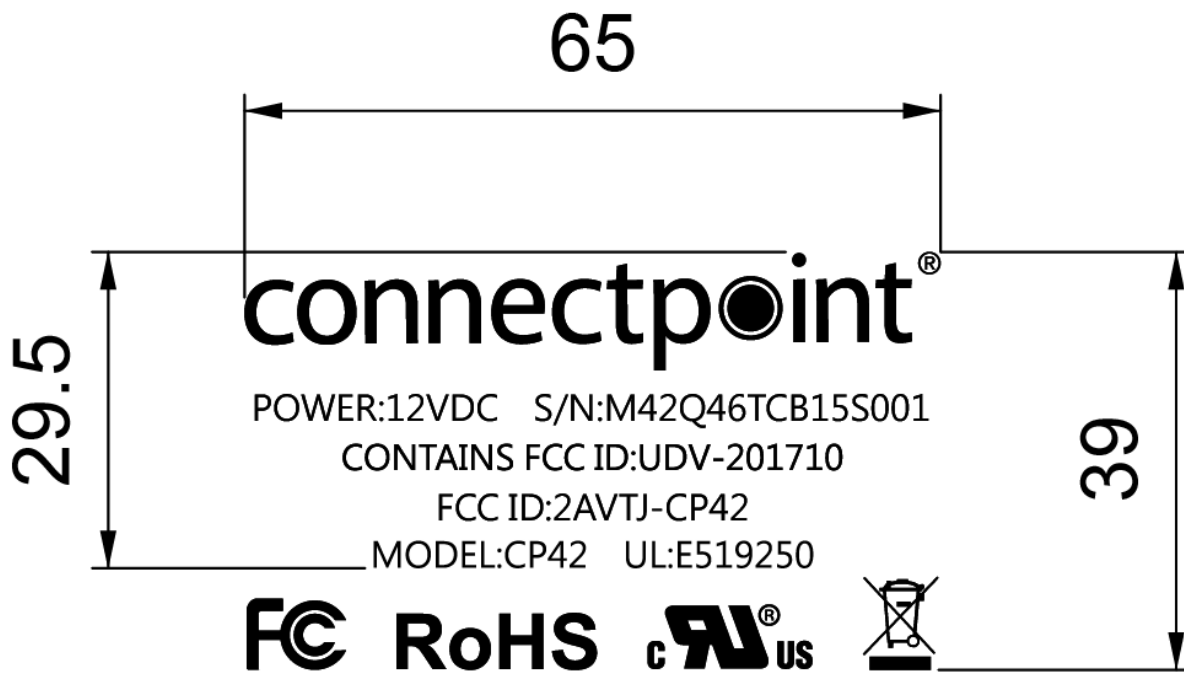
2. Position

Unit:mm

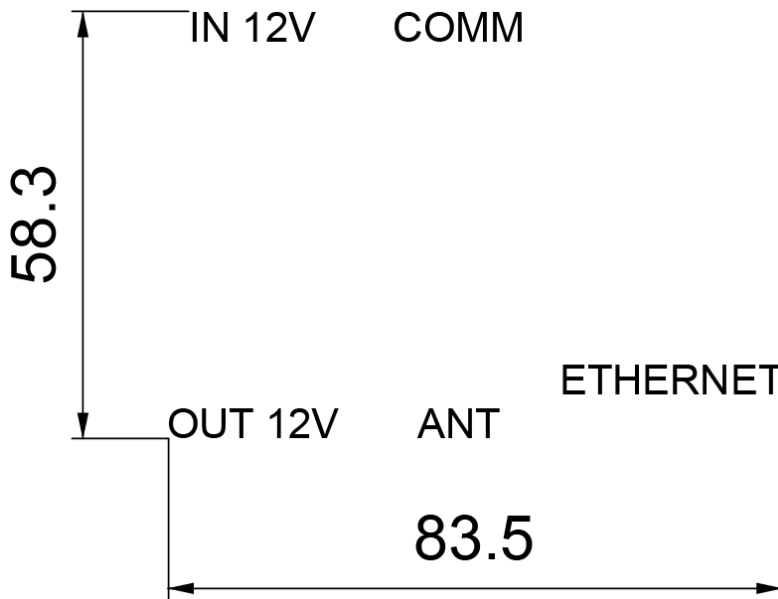


3. Dimension

a. Dimension about: 65mm(2.56") x39mm(1.54")



c. Dimension about: 58.3mm(2.3") x83.5mm(3.29")



*Label

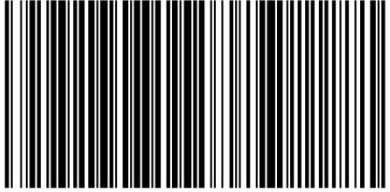
1. Content

Include COO, S/N, Barcode and 15.19 warning of FCC

Barcode Type: CODE128

This device complies with Part 15 of the FCC Rules. Operation is subject to the following two conditions:

- (1) this device may not cause harmful interference, and
- (2) this device must accept any interference received, including interference that may cause undesired operation.



Made in Taiwan M42Q46TCB15S001

S/N:

M42Q46TCB15S001

XXXXXX123456789

XXXXXX ← Project code

12 ← Customer code

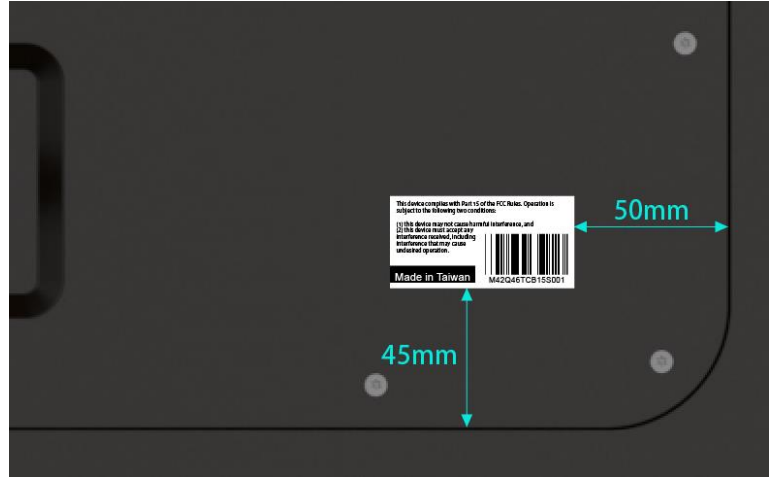
3 ← Production Year

4 ← Production Month

5 ← Production Week

6~9 ← Serial Number

2. Position



3. Dimension

Label Dimension: 60mm(2.36")x30mm(1.18")

◎ B-Carton

*Label

1. Content

Include COO, S/N and Barcode

Barcode Type: CODE128



2. Position (on the center of the frame)



3. Dimension

Label Dimension: 40mm(1.57")x20mm(0.79")

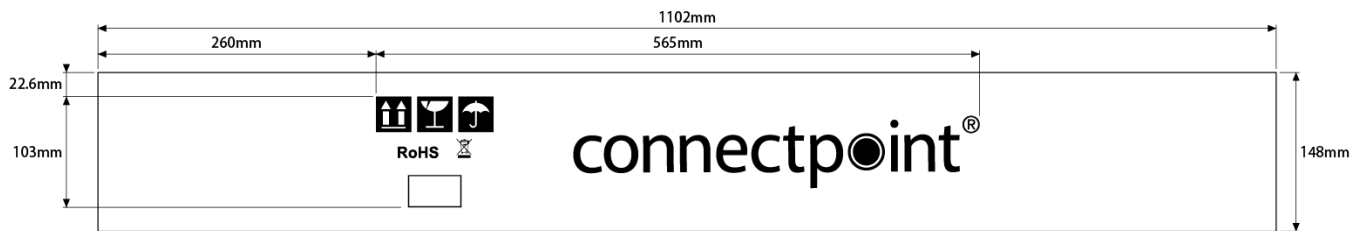
*Printing

1. Content

Include Logo, identification mark and carton recognize symbol



2. Position



3. Dimension

Carton Dimension: 1102mm(43.39")x869mm(34.21)x148mm(5.83")

Printing Dimension: 565mm(22.24")x103mm(4.06")