

Model	CP13	Version	B	Date: 2020.03.26
-------	------	---------	---	------------------



## ■ Item

- A: Display image when shipping
- B: Machine (Cover)-Laser/Label
- C: Machine (Door) -Laser
- D: Carton-Label/Printing
- E: Packing

## Caption of Laser/Labe/Printing :

1. Content
2. Position
3. Dimension

## © A-Display image when shipping

### 1. Content

Include Logo, model name, MFD , SW Firmware, Jar version, FW build date, EPD VCOM, EPD Waveform and barcode of UUID/IMEI/Serial Number



## ◎ B-Machine (Cover)

**\*Laser**

### 1. Content

Include Logo, Power info, S/N , FCC ID (LTE + WiFi) and Identification mark

**connectpoint®**

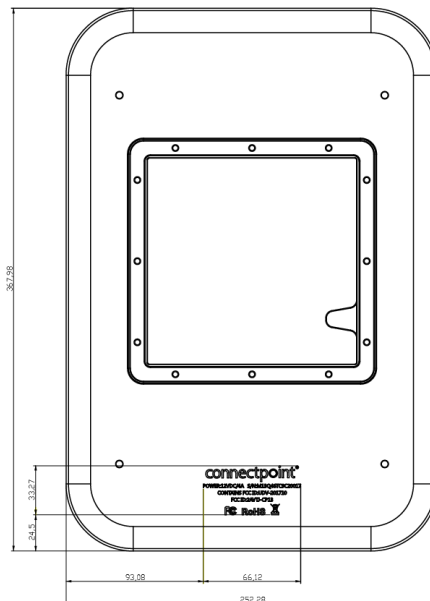
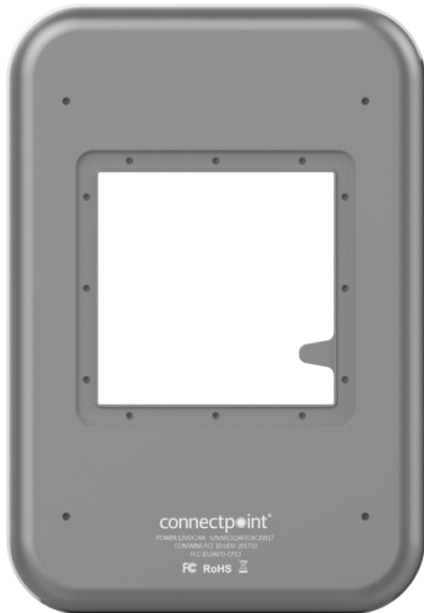
POWER:12VDC/4A S/N:M13Q46TC9C20017

CONTAINS FCC ID:UDV-201710

FCC ID:2AVTJ-CP13

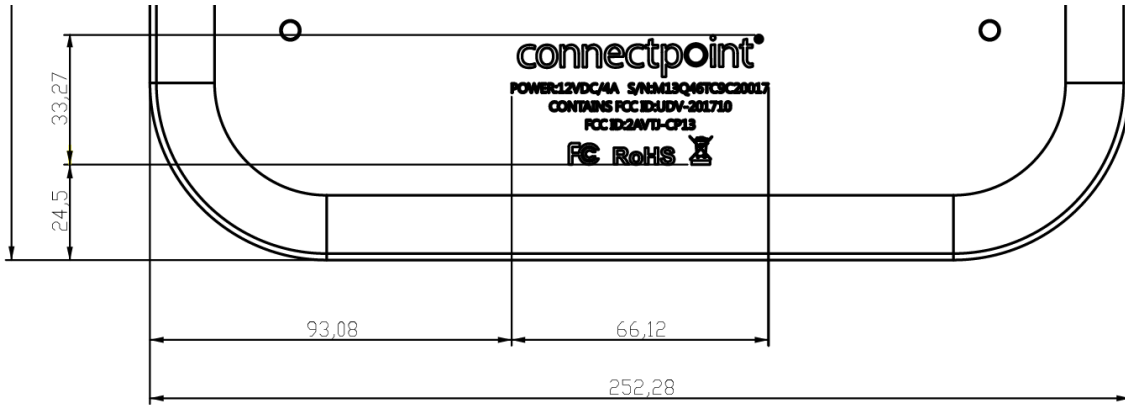


### 2. Position (on the center of the cover)



### 3. Dimension

Dimension about: 63mm(2.48" ) x28.6mm(1.125" )

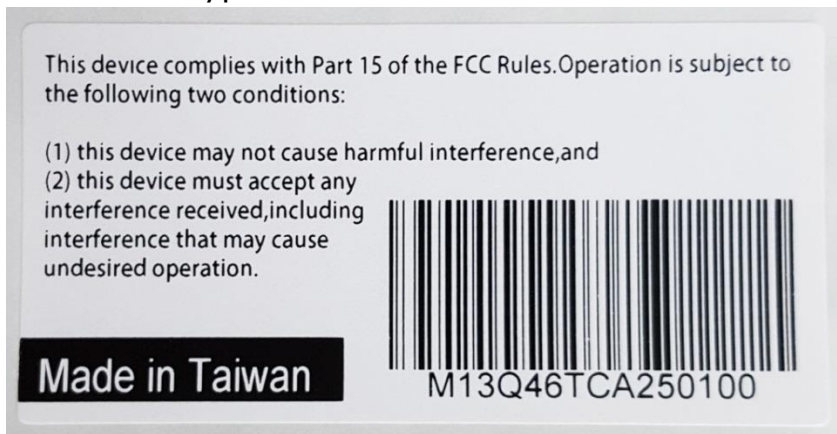


### \*Label

#### 1. Content

Include COO, S/N, Barcode and 15.19 warning of FCC

# Barcode Type: CODE128



# S/N:

M13Q46TCA250100

XXXXXX123456789

XXXXXX ← Project code

12 ← Customer code

3 ← Production Year

4 ← Production Month

5 ← Production Week

6~9 ← Serial Number

## 2. Position (on the center of the cover)



## 3. Dimension

Label Dimension: 60mm(2.36" )x30mm(1.18" )

### ◎ C-Machine (Door)

**\*Laser**

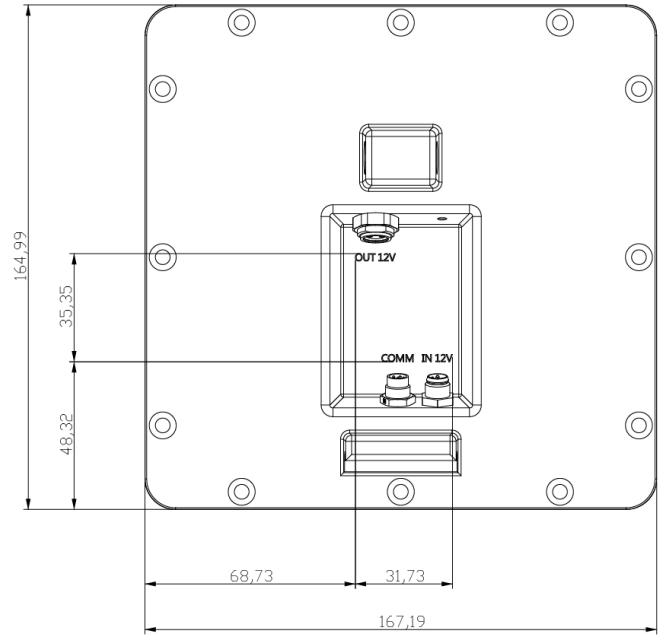
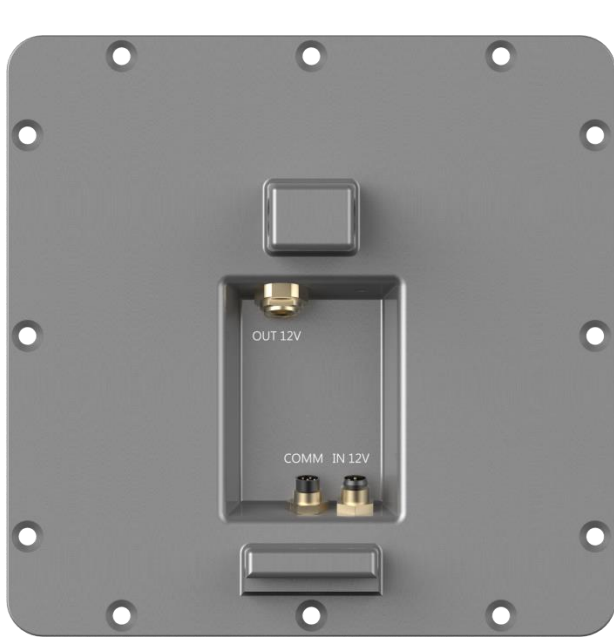
#### 1. Content

OUT 12V

COMM IN 12V

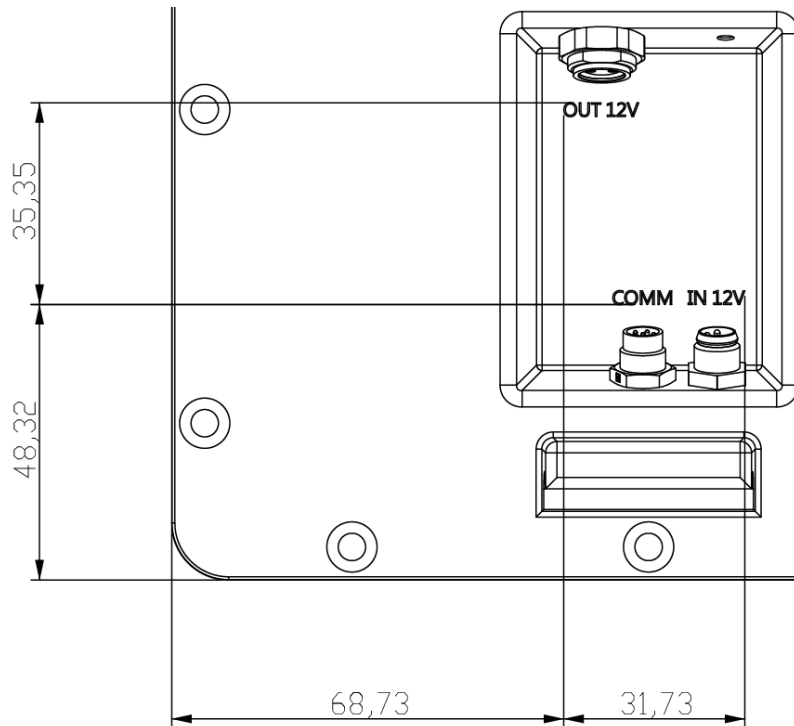
## 2. Position

Unit: mm



## 3. Dimension

Dimension about: 32.8mm(1.29" )x33.3mm(1.31" )



## ◎ D-Carton

### \*Label

#### 1. Content

Include COO, S/N and Barcode

# Barcode Type: CODE128



#### 2. Position (on the center of the frame)



#### 3. Dimension

Dimension: 40mm(1.57" )x20mm(0.79" )

### \*Printing

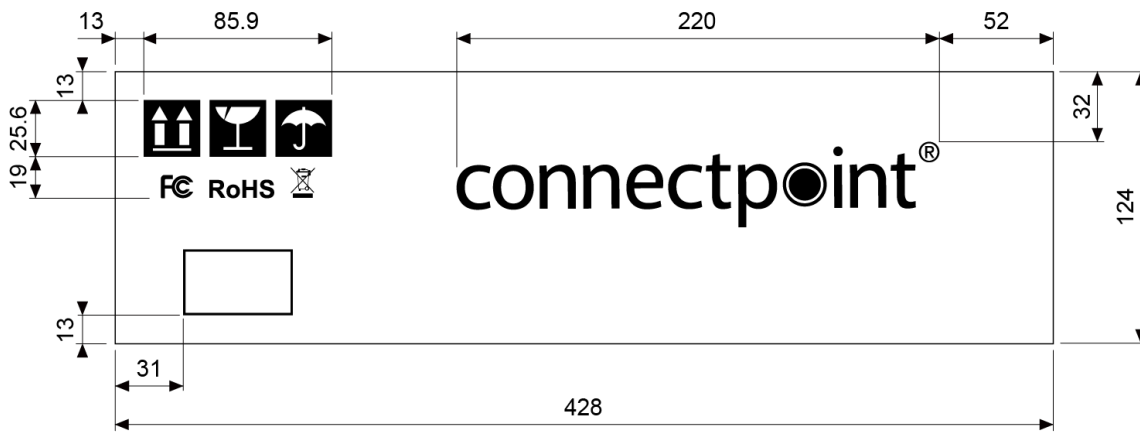
#### 1. Content

Include Logo, identification mark and carton recognize symbol



**2. Position**

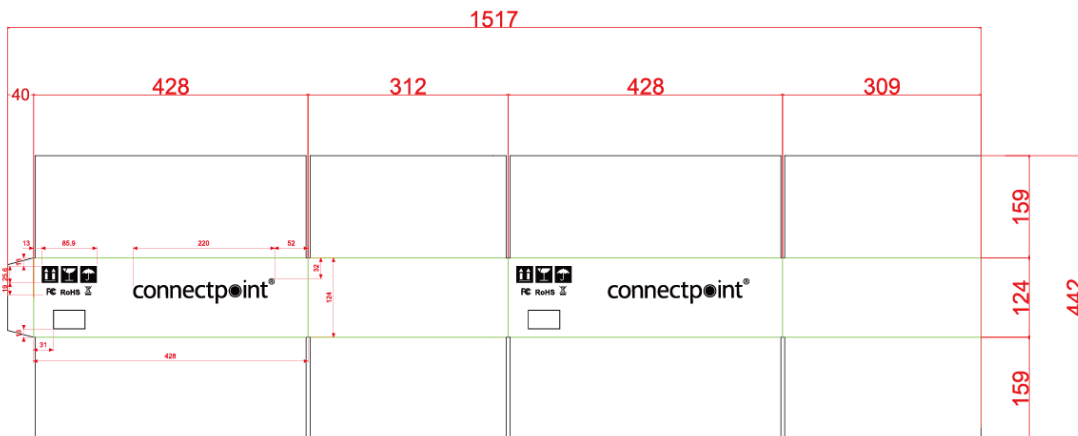
Unit: mm



**3. Dimension**

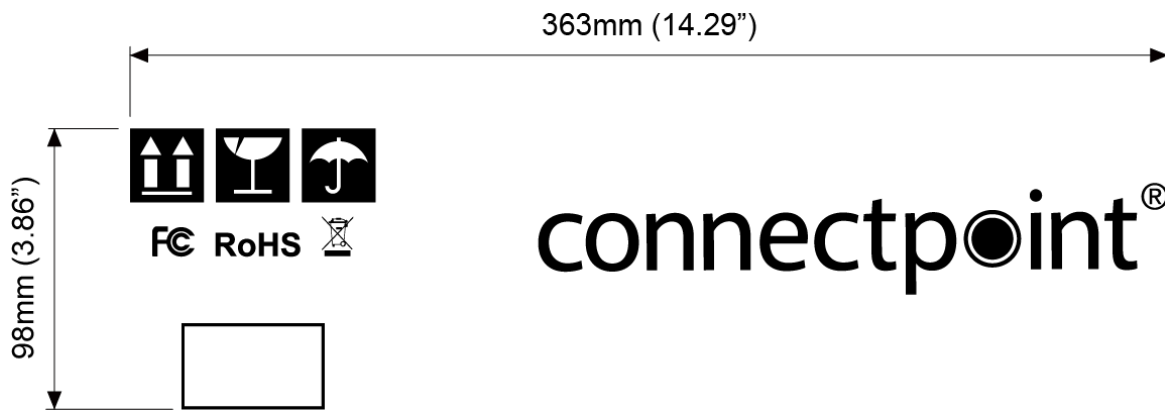
Carton Dimension: 428mm(16.85" )x312mm(12.28)x124mm(4.88" )

**428x312x124mm**



黄AB/F / 14KG

Printing Dimension: 363mm(14.29" )x98mm(3.86" )

**© E-Packing**

100 Boxes stacked by 10 layers on a pallet

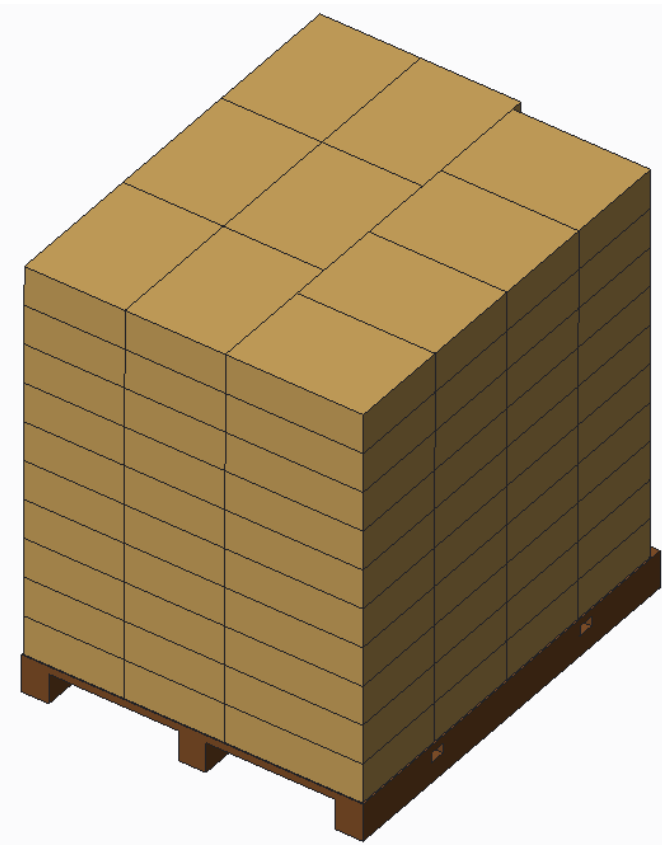
Total 100 pcs machines for one pallet

**Pallet**

Pallet Type: Paper Pallet

Dimension: 1060mm(41.73" )x1290mm(50.79)x119mm(4.69" )

Loaded weight:500kg





### Box

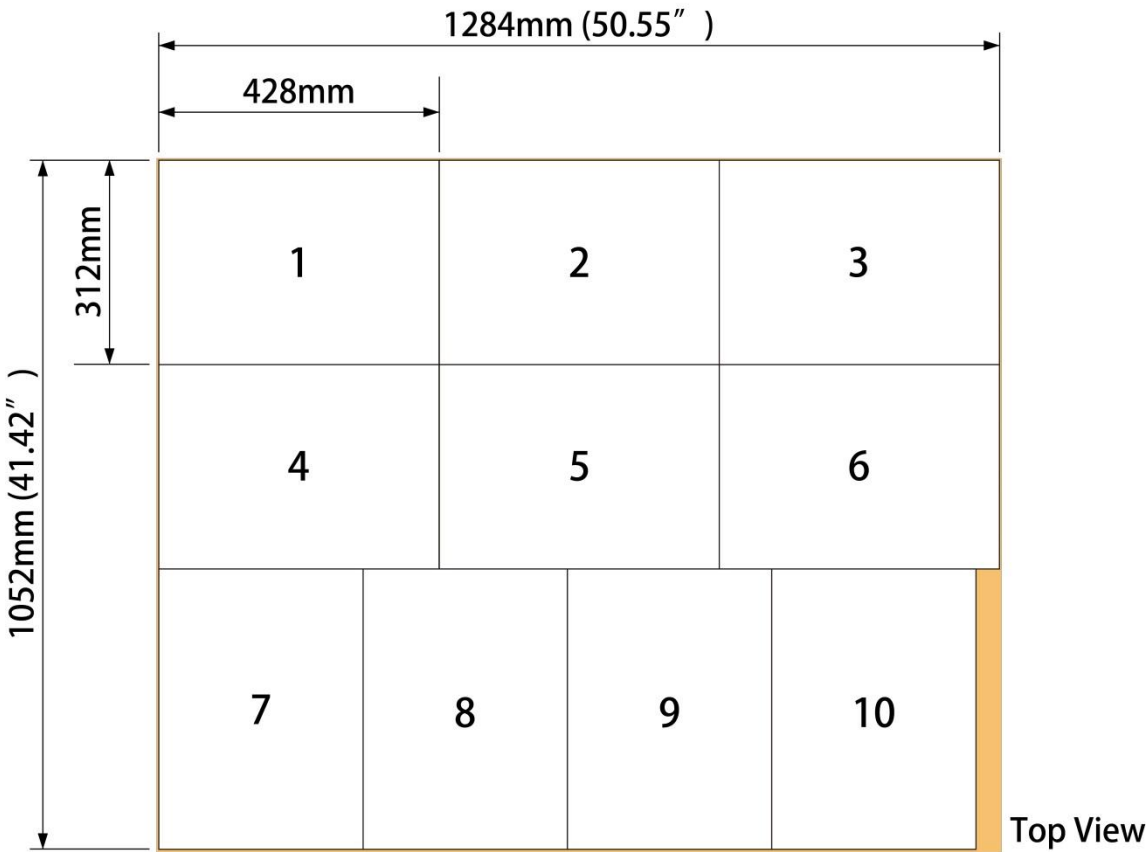
Machine weight: 3.8kg

Packaging materials weight: 0.7kg

One box weight (machine + packaging): 4.5kg

### Boxes Dimension

One layer



PS: The yellow part is pallet.