

Model	CP10	Version	G	Date: 2021.04.01
-------	------	---------	---	------------------



■ **Item**

- A: Machine (Cover)-Laser/Label
- B: Machine (Door) -Laser
- C: Carton-Label/Printing

Caption of Laser/Labe/Printing :

1. Content
2. Position
3. Dimension

◎ A-Machine (Cover)***Laser****1. Content**

Include Logo, Power info, S/N , FCC ID (LTE + WiFi) , Model No., UL No. and Identification mark

connectpoint®

POWER:12VDC S/N:M10Q46TCA950001

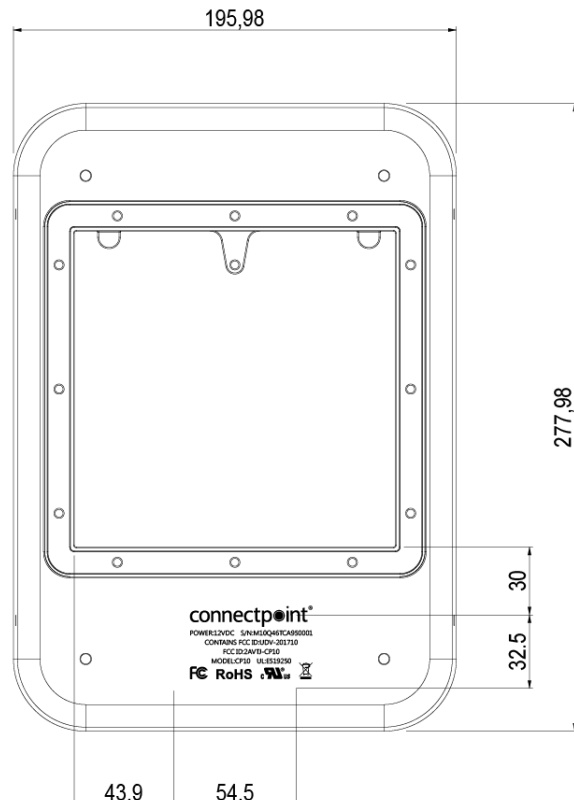
CONTAINS FCC ID:UDV-201710

FCC ID:2AVTJ-CP10

MODEL:CP10 UL:E519250

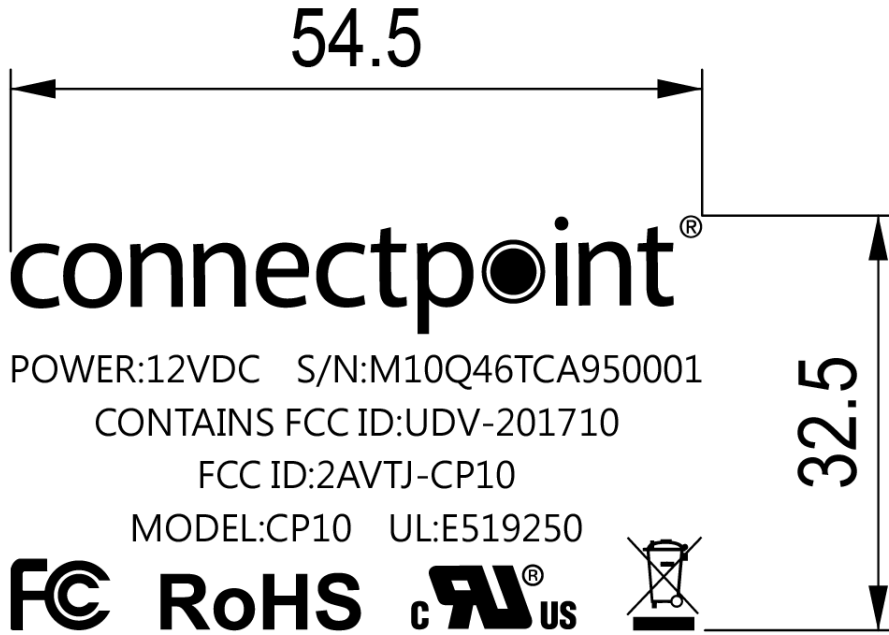
**RoHS****2. Position (on the center of the cover)**

Unit: mm



3. Dimension

Dimension about: 54.5mm(2.15") x 32.5mm(1.28")

***Label****1. Content**

Include COO, S/N, Barcode and 15.19 warning of FCC

Barcode Type: CODE128

This device complies with Part 15 of the FCC Rules. Operation is subject to the following two conditions:

(1) this device may not cause harmful interference, and
(2) this device must accept any interference received, including interference that may cause undesired operation.

Made in Taiwan

M10Q46TCB14S001

S/N:

M10Q46TCB14S001

XXXXXX123456789

XXXXXX ← Project code

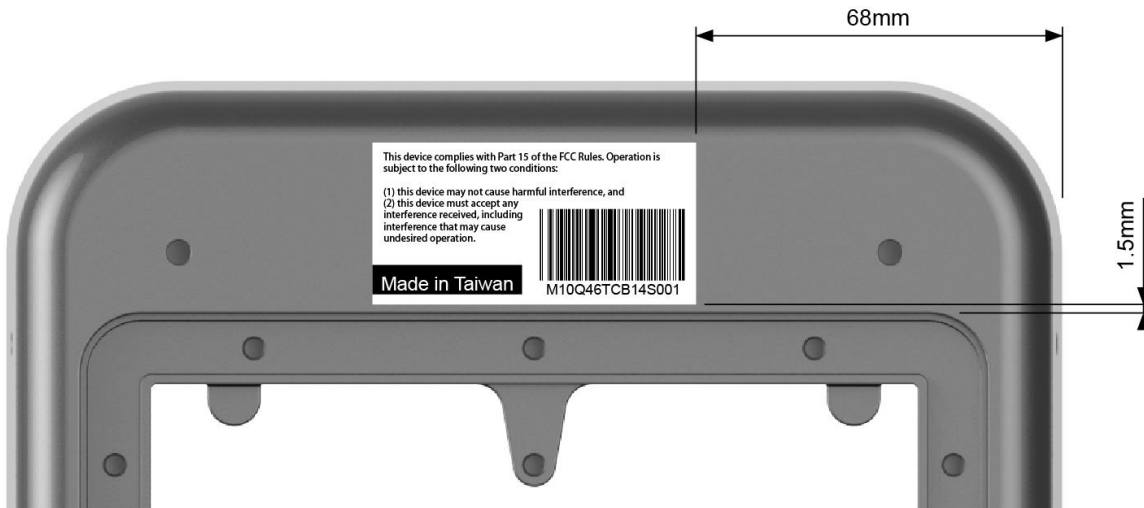
12 ← Customer code

3 ← Production Year

4 ← Production Month

5 ← Production Week

6~9 ← Serial Number

2. Position (on the center of the cover)**3. Dimension**

Label Dimension: 60mm(2.36")x30mm(1.18")

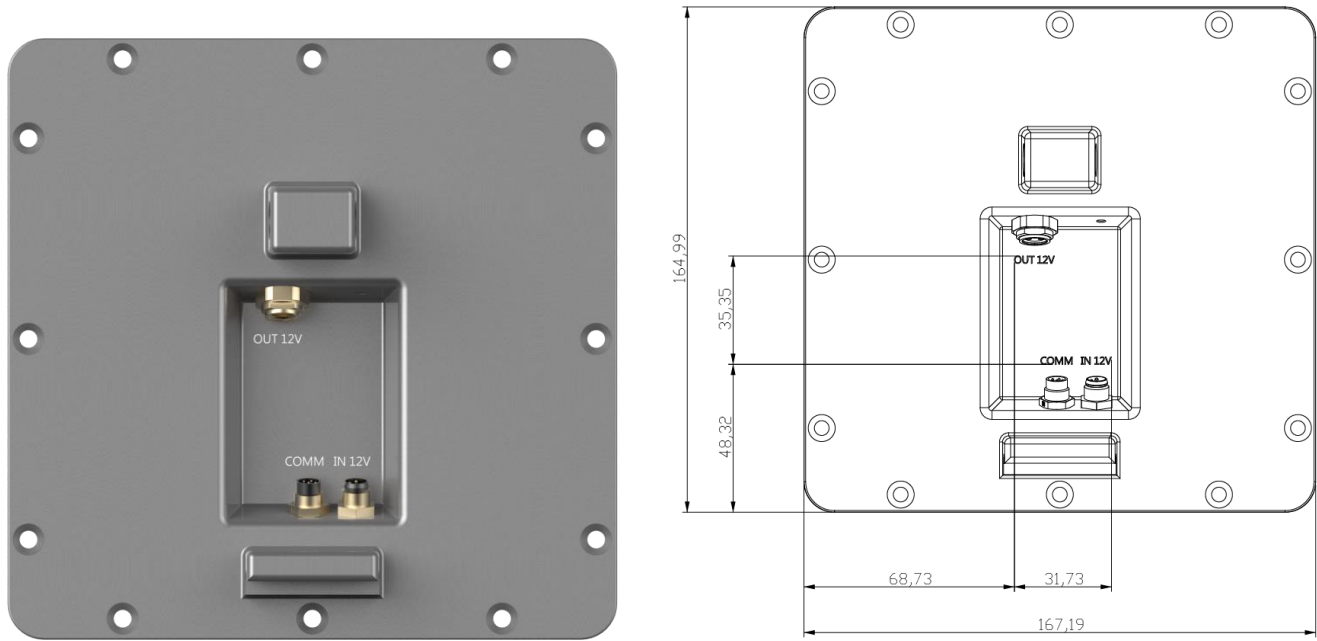
◎ **B-Machine (Door)*****Laser****1. Content**

OUT 12V

COMM IN 12V

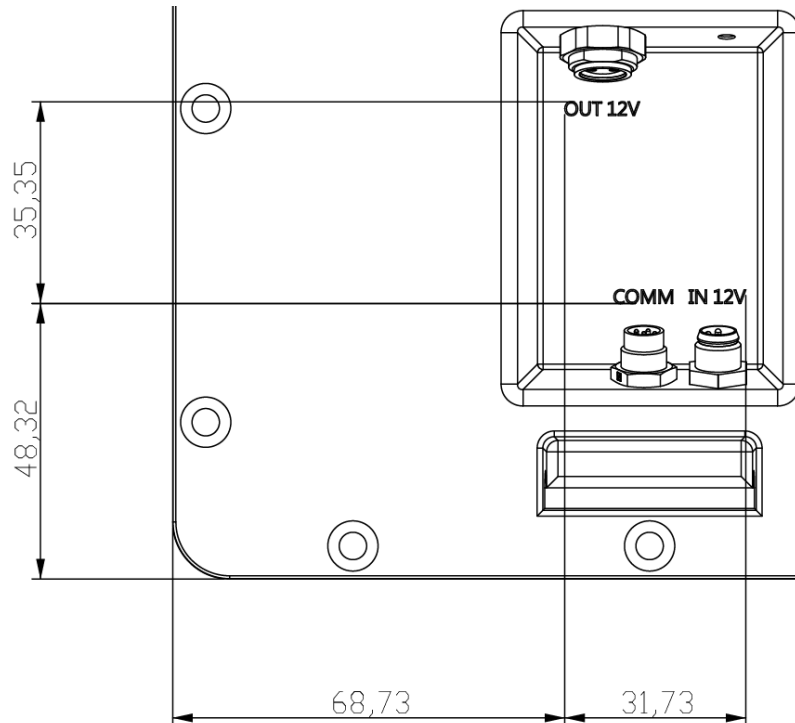
2. Position

Unit: mm



3. Dimension

Dimension about: 32.8mm(1.29")x33.3mm(1.31")



◎ C-Carton***Label****1. Content**

Include COO, S/N and Barcode

Barcode Type: CODE128

**2. Position** (on the center of the frame)**3. Dimension**

Dimension: 40mm(1.57")x20mm(0.79")

*Printing

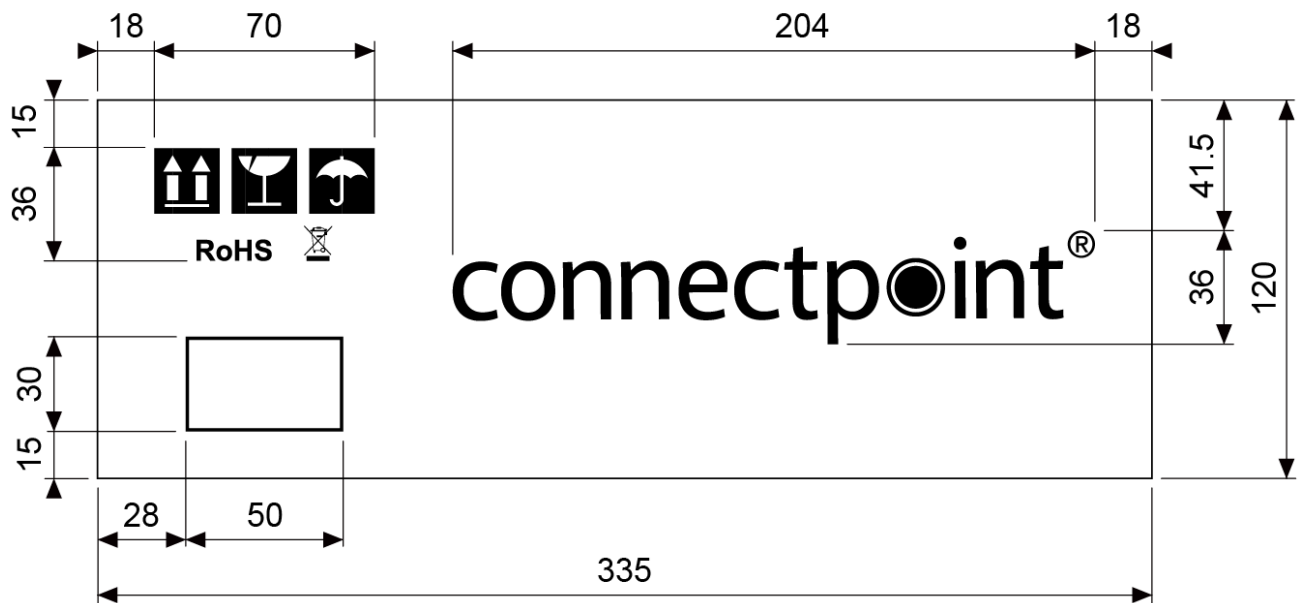
1. Content

Include Logo, identification mark and carton recognize symbol



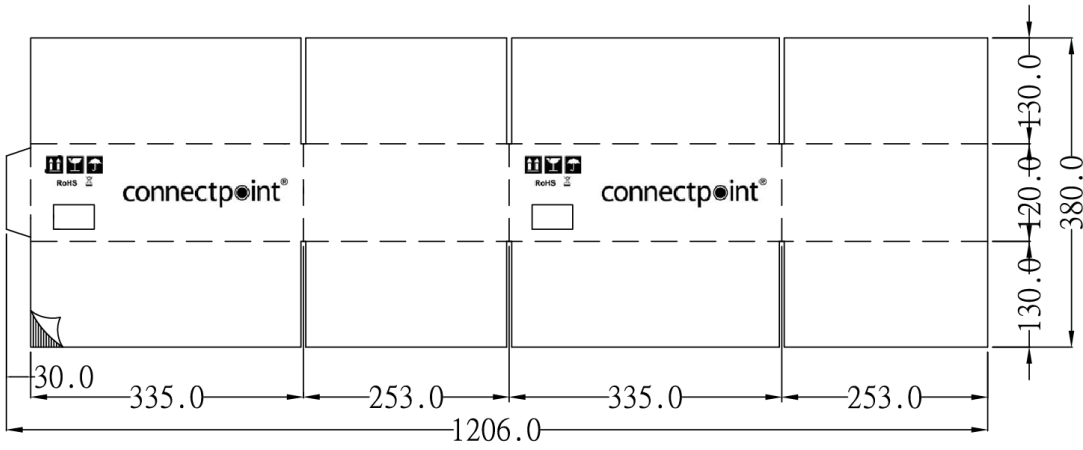
2. Position

Unit: mm



3. Dimension

Carton Dimension: 335mm(13.19")x253mm(9.96)x120mm(4.72")



ABF

Printing Dimension: 298.8mm(11.76")x90mm(3.54")

