

承 认 书

公 司 名 称 (客户填写): 深圳市艾普达科技有限公司

物 料 代 码 (客户填写): _____

规 格 型 号 (客户填写): MPC08S5YN

承 认 日 期 (客户填写): _____

供 应 商 名 称 (SLK 填写): 深圳市亿圣邦科技有限公司

供 应 商 规 格 型 号 (SLK 填写): WIFIMAIN:SLK-APD-2520D-R-50IV-B

WIFIAUX:SLK-APD-2025D-R-70IV-G

承 认 签 章

供 应 商 承 认 (SLK 填写栏)

深圳市艾普达科技有限公司

工 程 师

审 核

批 准

工 程 师

审 核

批 准

陈仕联

黄震

林美财

盖 章 签 署

盖 章 签 署

日 期

2022-08-30

日 期

批 示: 接受 有条件接受

备 注 (客户填写):

供应商名称: 深圳市亿圣邦科技有限公司

供应商地址: 东莞市塘厦镇蛟乙塘银园街 5 号厂房 2 楼

电 话: 0755-29470882

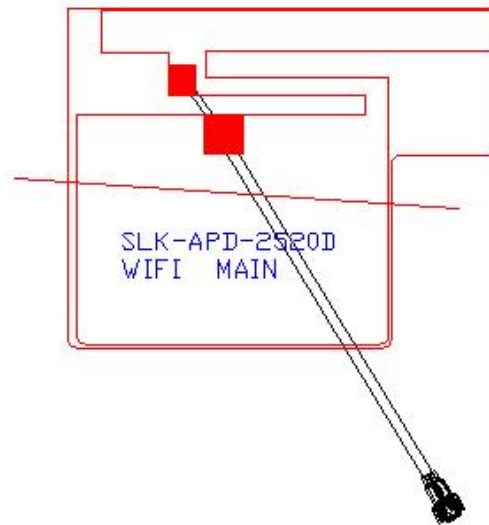
传 真: 0755-29163512

BT / WIFI Antenna 0 (2520D)

1. Explanation of Product number :

S L K - A P D - 2 5 2 0 D - R - 5 0 I V - B

1 2 3 4 5



Product Code:

(1) Customer:

APD: 艾普达

(2) Project:

2520D: SLK-2520D (BT / WIFI antenna 0)

(3) Welding Position

R: Ring

(4) Cable Length:

50IV: 50*0.81MM Fourth generation terminal

(5) Cable Color

B: Black

2. Features

*Stable and reliable in performances

*Compact size

*RoHS compliance

3. Applications

- * IEEE802.11 (a/b/g/n)
- * Hand-held devices when WIFI (802.11 a/b/g/n) functions are needed

4. Description

Holy bond's FPC antenna series are specially designed for WIFI (502.11 a/b/g/n) applications. Based on Holy bond's proprietary design and processes, this FPC antenna has excellent stability and sensitivity to consistently provide high signal reception efficiency.

5. Electrical Specifications

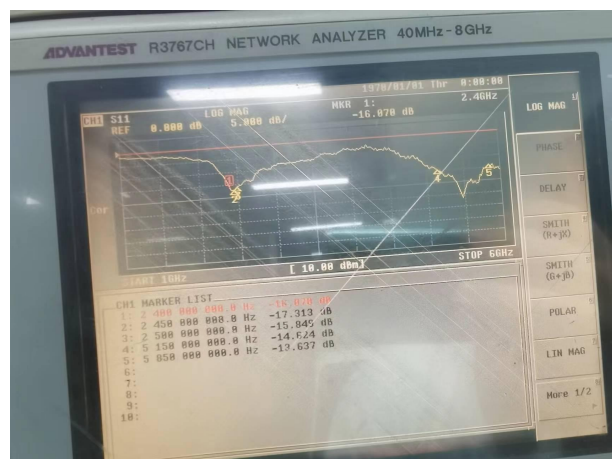
5-1

Characteristics	Specifications	Unit
Outline Dimensions	25.43x 20.09x 0.12	mm
Center Frequency	2.4-2.5-5.15-5.85	GHz
Bandwidth(under-10dB return loss)	130min	MHz
VSWR	3max	

5-2.

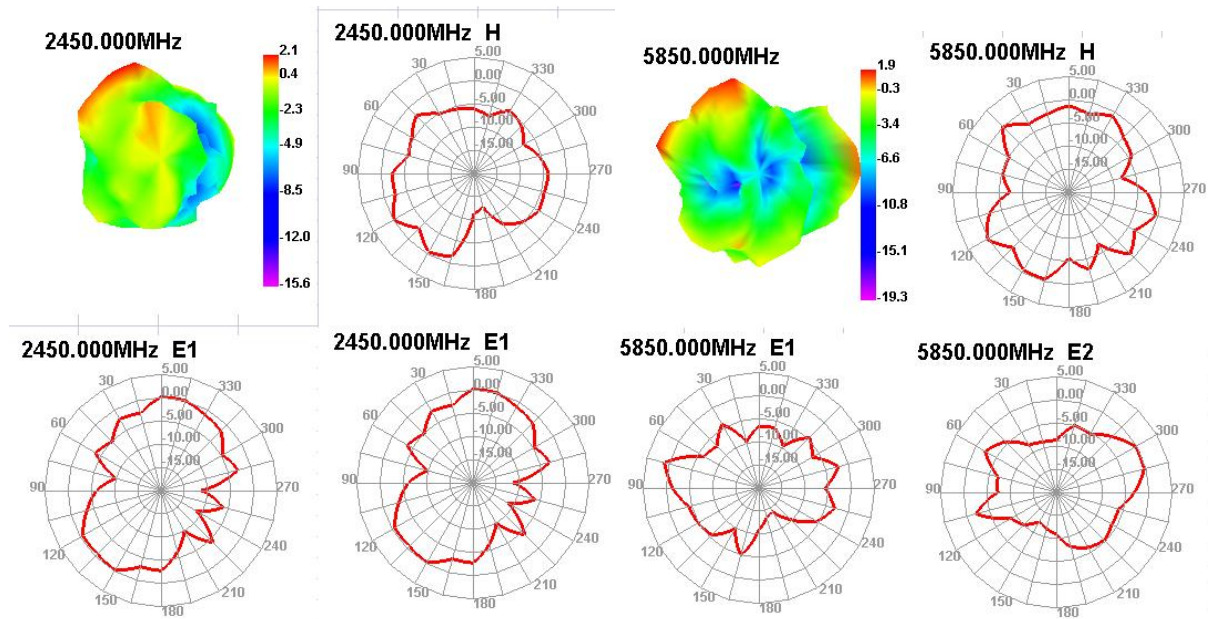
VSWR

S11

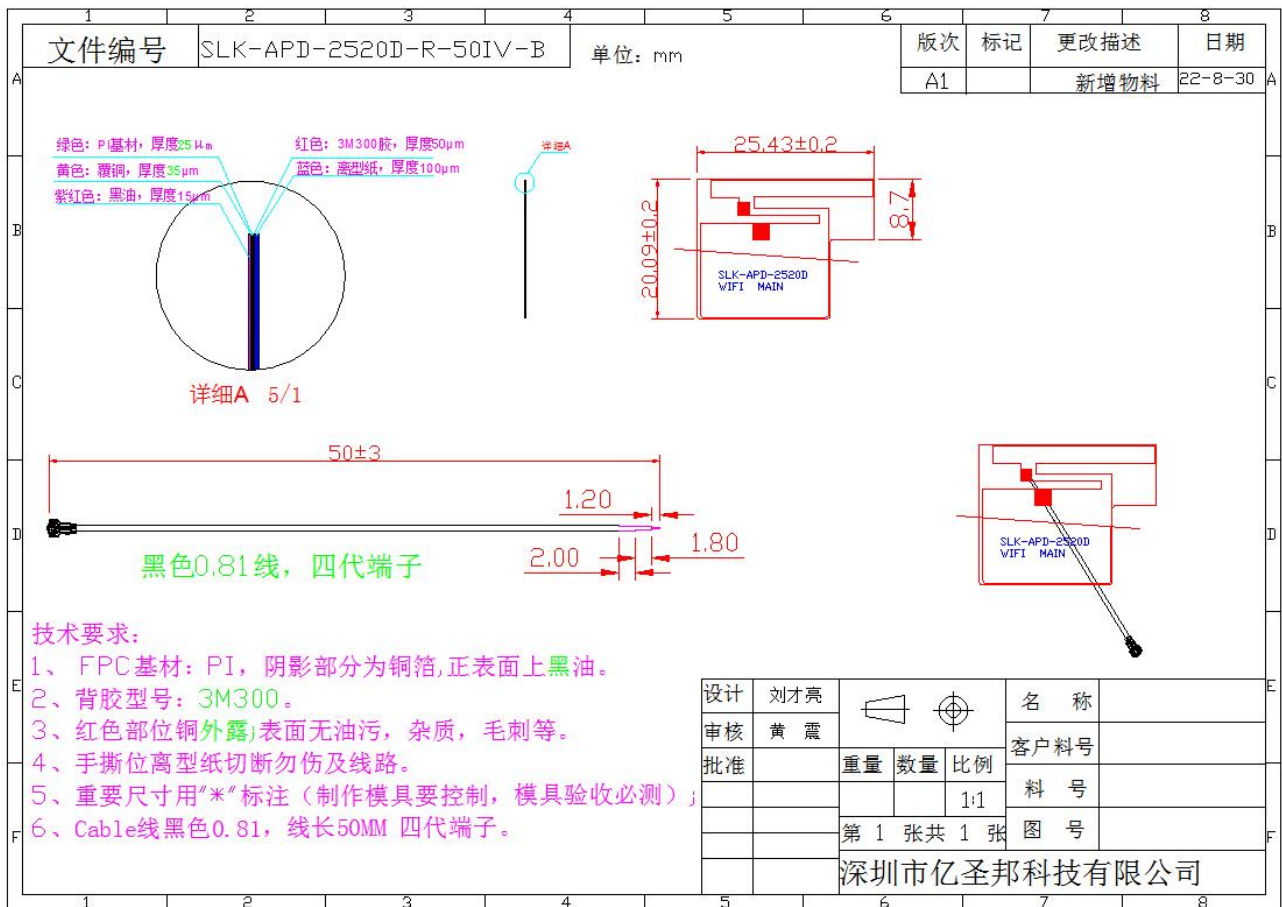


5-3.BT/WIFI Antenna Gain/Efficiency/Radiation Pattern of 3D

Freq (MHz)	Effi (%)	Effi (dB)	Gain (dBi)
2400	44.43	-3.52	1.61
2410	48.26	-3.16	2.04
2420	44.74	-3.49	1.74
2430	48.4	-3.15	2.08
2440	45.84	-3.39	1.81
2450	51.11	-2.91	2.14
2460	44.9	-3.48	1.51
2470	49.81	-3.03	2.01
2480	46.59	-3.32	1.92
2490	53.19	-2.74	2.72
2500	45.94	-3.38	2.28
5150	39.77	-4	3.13
5350	48.41	-3.15	3.79
5550	47.81	-3.2	4.37
5750	45.19	-3.45	3.85
5850	39.82	-4	1.85



6. Antenna Dimensions (unit: mm)

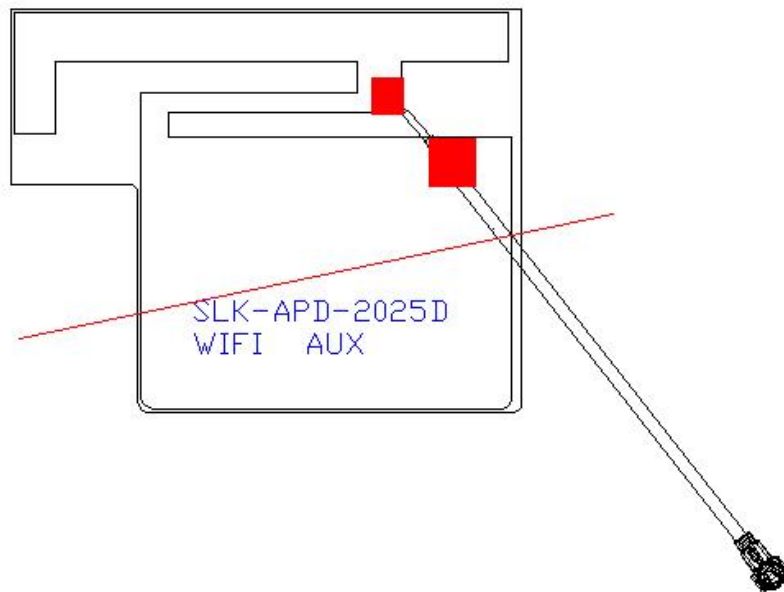


BT / WIFI Antenna 1 (2025D)

1.Explanation of Product number :

S L K - A P D - 2 0 2 5 D - R - 7 0 I V - G

1 2 3 4 5



Product Code:

(1) Customer:

APD: 艾普达

(2) Project:

2025D: SLK-2025D (BT / WIFI antenna 1)

(3) Welding Position

R:Right

(4) Cable Length:

70IV: 70*0.81MM Fourth generation terminal

(5)Cable Color

G: Gray

2. Features

*Stable and reliable in performances

*Compact size

*RoHS compliance

3. Applications

- * IEEE802.11 (a/b/g/n)
- * Hand-held devices when WIFI (802.11 a/b/g/n) functions are needed

4. Description

Holy bond's FPC antenna series are specially designed for WIFI (502.11 a/b/g/n) applications. Based on Holy bond's proprietary design and processes, this FPC antenna has excellent stability and sensitivity to consistently provide high signal reception efficiency.

5. Electrical Specifications

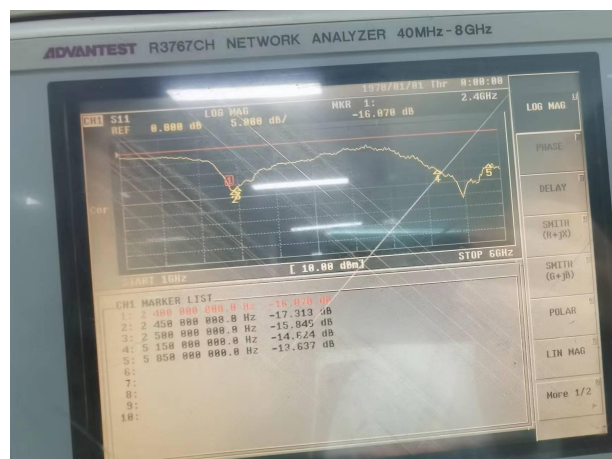
5-1

Characteristics	Specifications	Unit
Outline Dimensions	25.43x 20.09 x 0.12	mm
Center Frequency	2.4-2.5-5.15-5.85	GHz
Bandwidth(under-10dB return loss)	130min	MHz
VSWR	3max	

5-2.

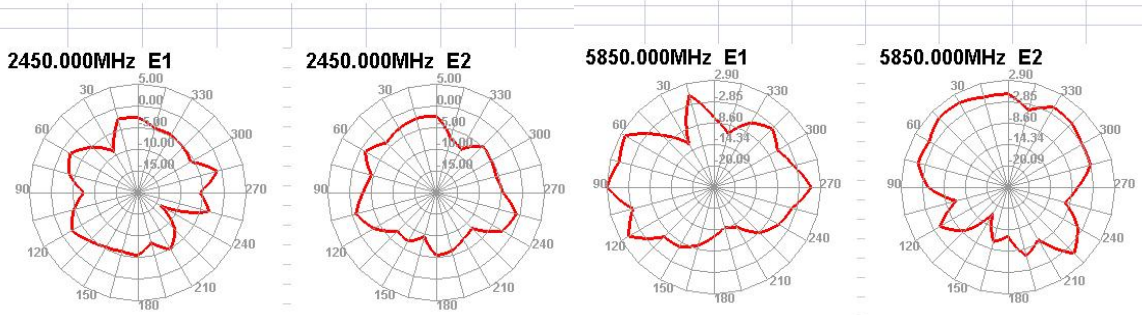
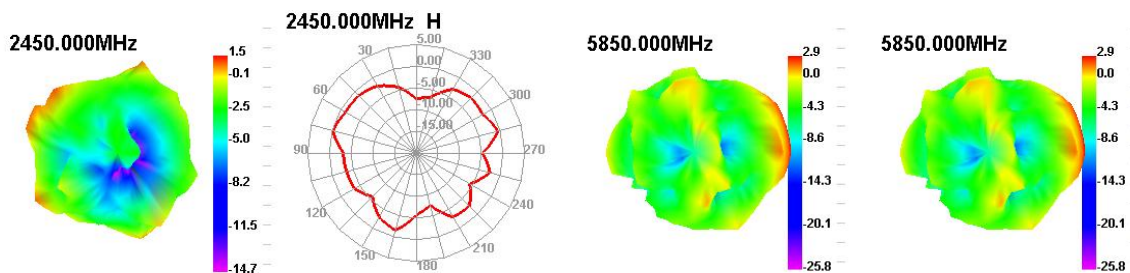
VSWR

S11

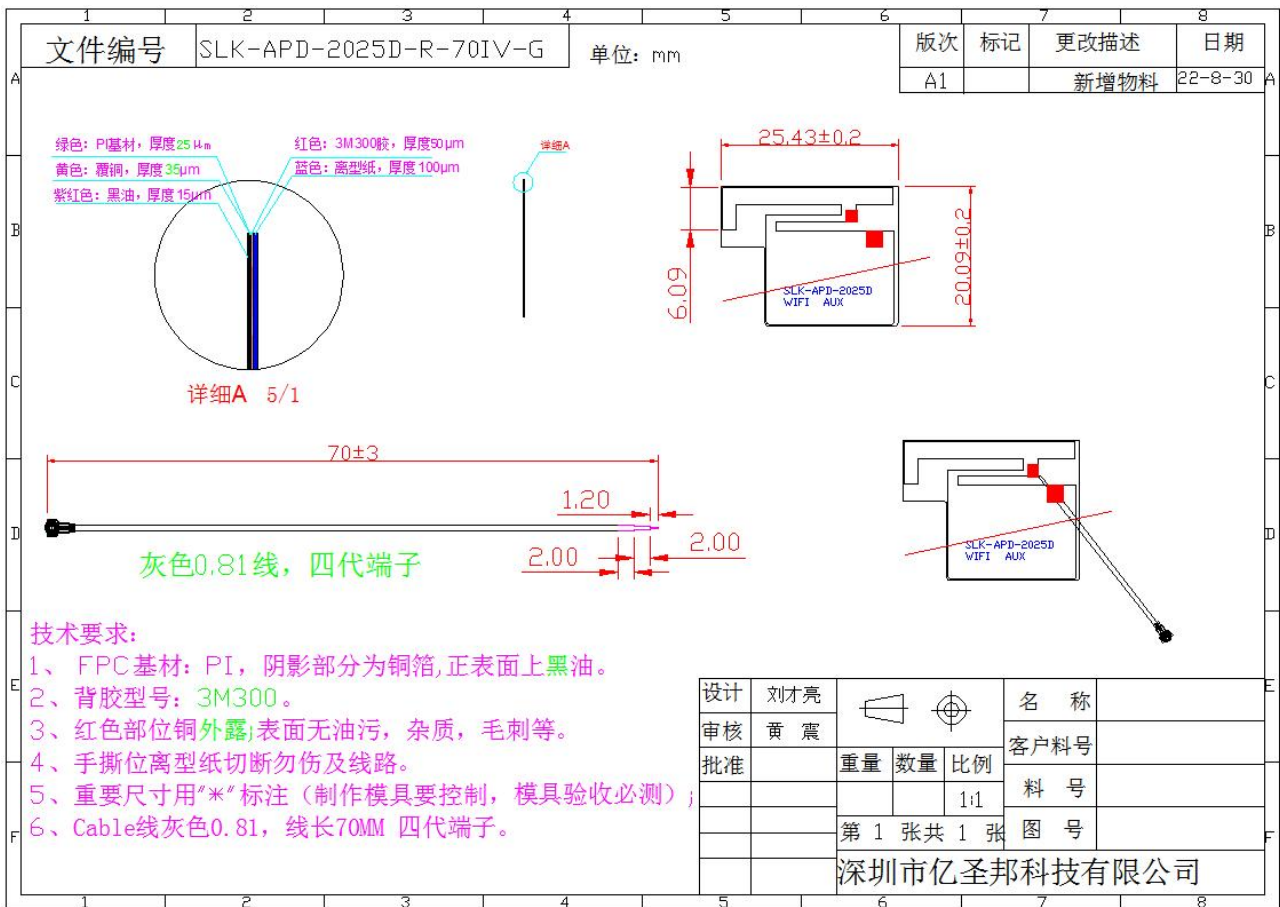


5-3.WIFI Antenna Gain/Efficiency/Radiation Pattern of 3D

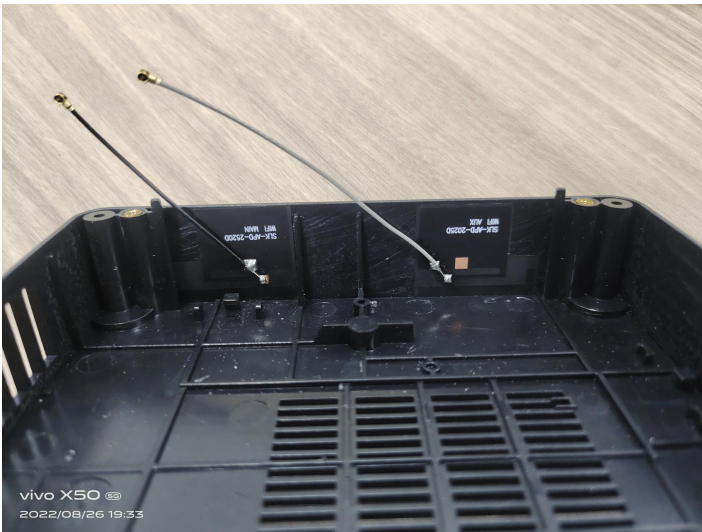
Freq (MHz)	Effi (%)	Effi (dB)	Gain (dBi)
2400	40.49	-3.93	1.11
2410	45.86	-3.39	1.3
2420	44.59	-3.51	1.18
2430	46.85	-3.29	1.5
2440	46.59	-3.32	1.51
2450	46.81	-3.3	1.52
2460	45.98	-3.37	1.24
2470	43.32	-3.63	1.23
2480	42.66	-3.7	1.28
2490	41.23	-3.85	1.26
2500	44.93	-3.47	1.69
5150	41.38	-3.83	1.74
5350	50.82	-2.94	3.33
5550	52.74	-2.78	4.26
5750	51.86	-2.85	3.58
5850	50.56	-2.96	2.9



6. Antenna Dimensions (unit: mm)



7. Antenna Picture



2. 4GWI FI /5. 2GWI FI
/5. 8GWI FI
Antenna1



BT/ BLE/2. 4GWI FI
/5. 2GWI FI /5. 8GWI FI
Antenna0