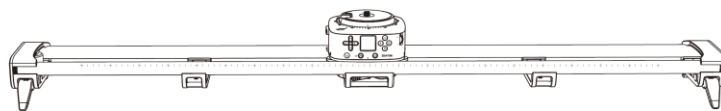
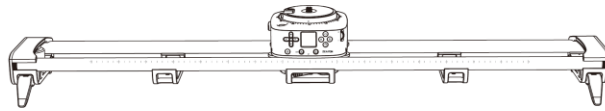
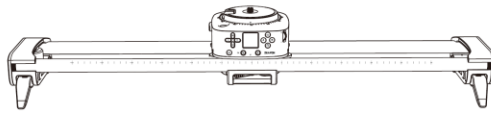


English

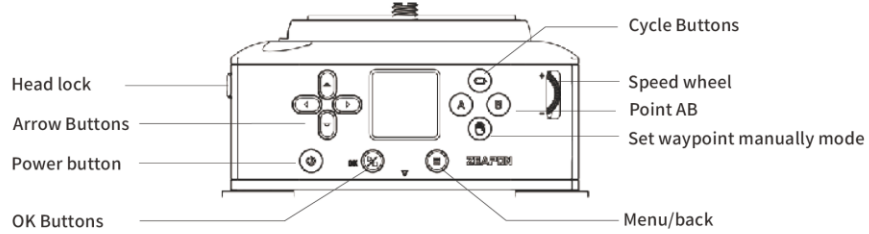
AXIS

Multi-axis Motorized Slider

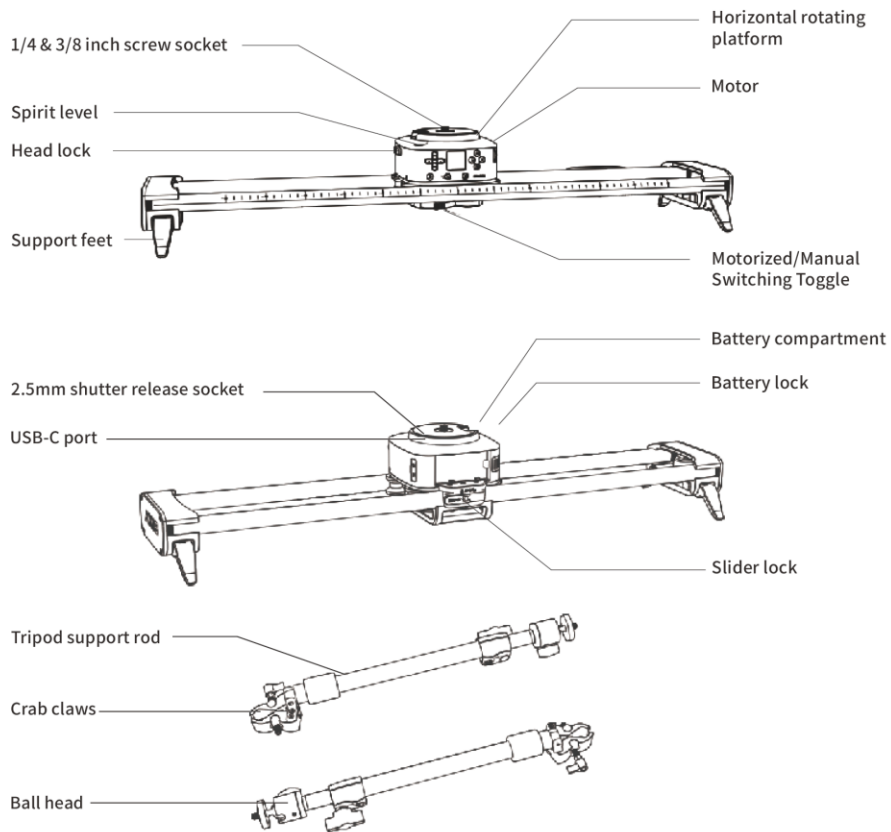


Manual

Buttons Description



Product Description




▶ A detailed operation video can be viewed on the official website: <https://www.zeapon.com>

Features

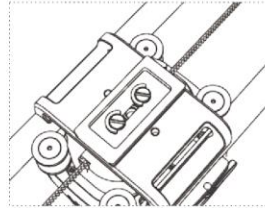
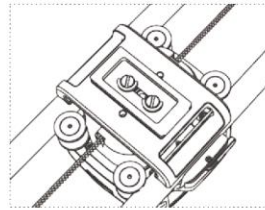
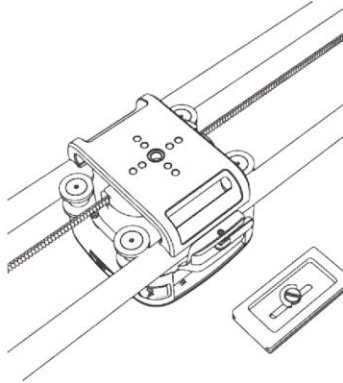
Name	Function
Point AB	Set AB point
Cycle Buttons	After you hit the dots, you can make it run in a loop
Speed wheel	The running speed of the Motor can be adjusted
Manual dotting mode	Switch to manual dotting mode
Menu/back	Multifunctional operation possible
Arrow Buttons	Can adjust the running direction of the Motor/horizontal head
Head lock	Can fix the horizontal head to prevent it from turning
Motorized/Manual Switching Toggle	Can realize Motorized control/manual free switching
Horizontal rotating platform	Horizontal rotation possible
Motor	Can move left and right to determine the position of the Motor
Power button	Switch
1/4&3/8 inch matryoshka screw socket	1/4 & 3/8 thread can be installed directly without conversion
2.5mm shutter release socket	It can be directly connected to the camera through the shutter cable to get the slider control camera
OK Buttons	Confirm
USB Type-C socket	Supply power to the Motor (5V~12V/3A)
Battery lock	Used for fixing between the battery and the battery compartment
Battery compartment	Compatible with lithium batteries such as F550/F750/F970 and ZEAPON NPF-550QC
Support foot lock	Used to lock and adjust the support feet, multi-position adjustable
Slider lock	For fastening and loosening sliders
Tripod support rod	When in tripod mode, better fix and support the slider

Function	Button action	Beep
Turn on the power	Long press the power button for 3s	/
Turn off the power	Long press the power button for 3s	/
Move to the left	Long press the left button	/
Move to the right	Long press the right button	/
Speed adjustment	Pull the speed wheel	/
Create waypoints	Click the A/B button	Create waypoint A beep
		Create waypoint B beeps twice
Delete all waypoints	Enter menu selection	/
Start/pause	Click OK	/
Cycle start	Click cycle Buttons	Beep once
Automatic left/right movement	Double click the arrow Buttons	/
Manually set waypoint	Long press the 2s manual dot button	/

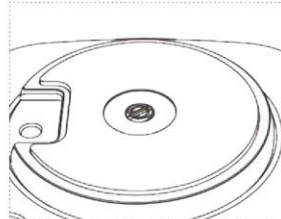
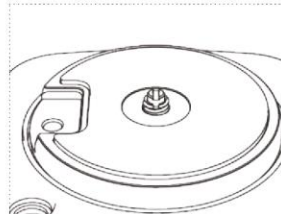
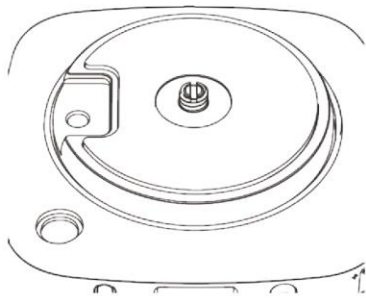
 A detailed operation video can be viewed on the official website: <https://www.zeapon.com>

Quick release plate installation

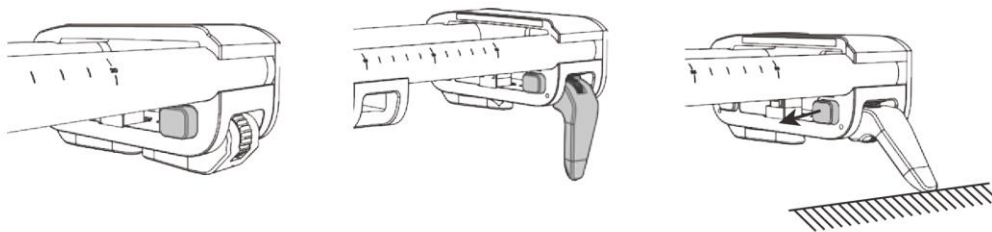
Support 1/4 and 3/8 inch screws, multi-hole positioning, more firm




1/4&3/8 inch matryoshka screw socket



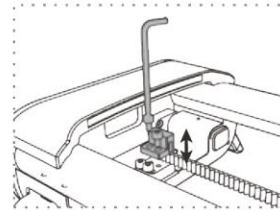
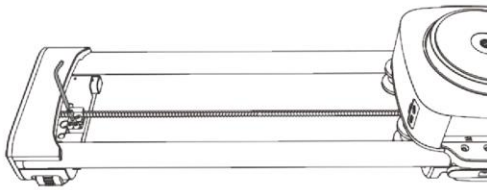
Adjustable support feet



 A detailed operation video can be viewed on the official website: <https://www.zeapon.com>

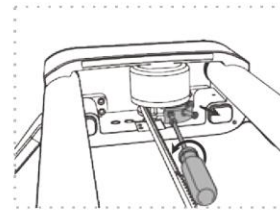
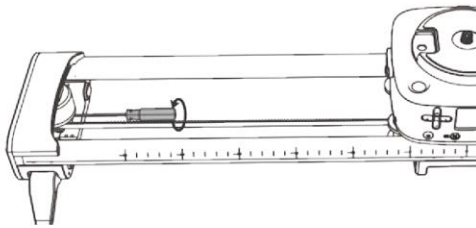
Belt replacement

1

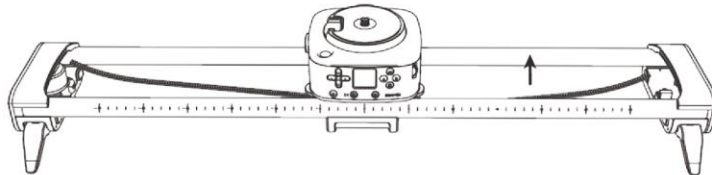


Unscrew the screw and push out the belt

2

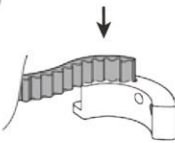


3



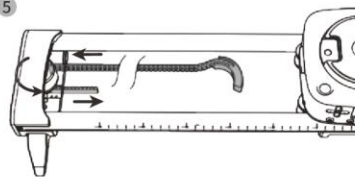
Take out the belt

4



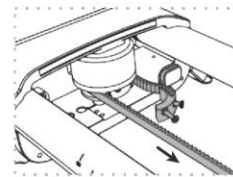
Snap one end of the belt against the teeth into the fixed block

5



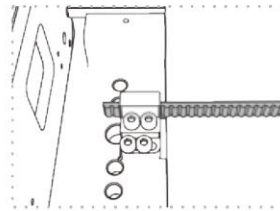
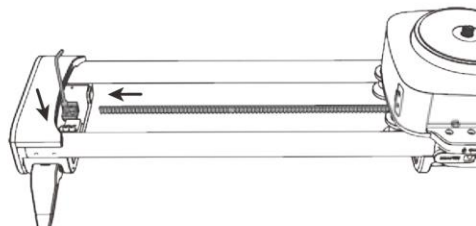
Thread the other end of the belt through the bottom and out around the gear

6



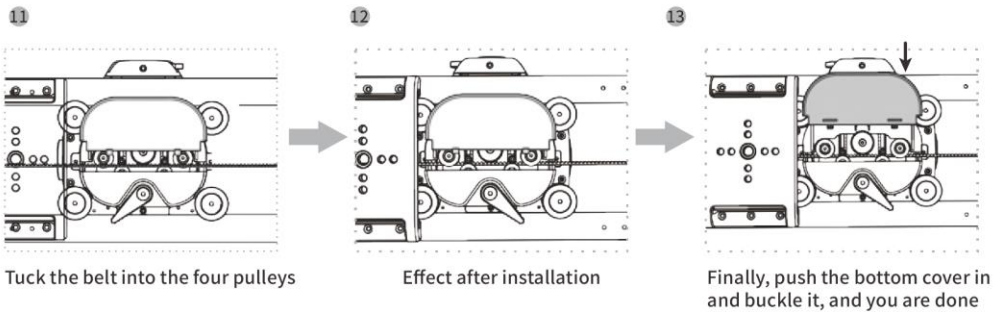
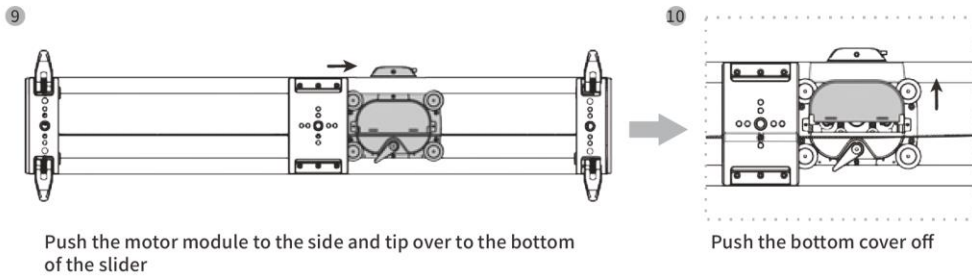
After pulling out, align the fixed block and fix it with screws

7

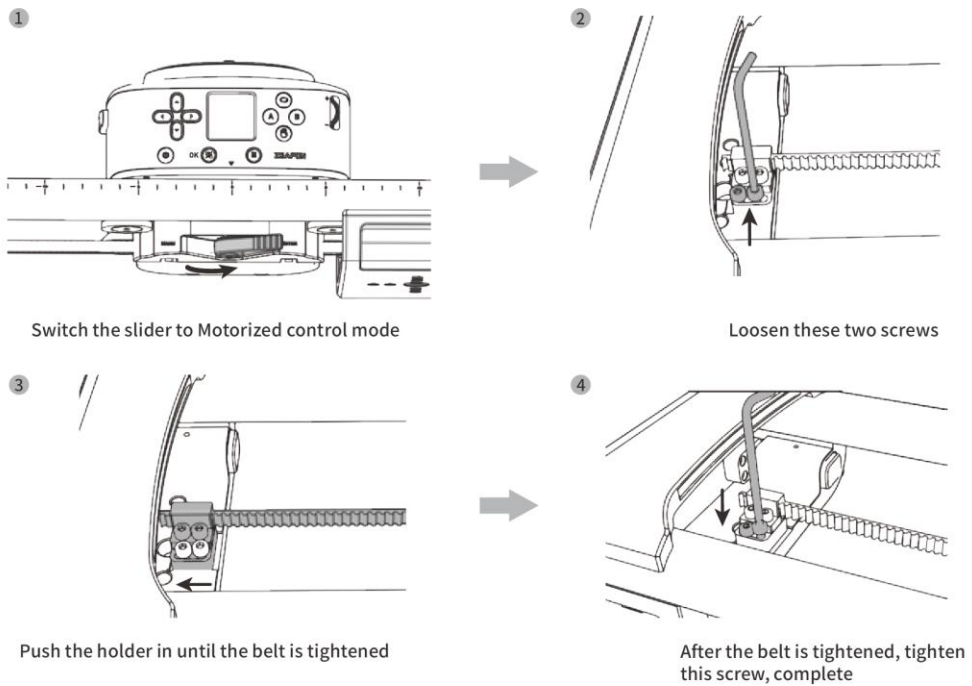


After installation, the belt grows two teeth

 A detailed operation video can be viewed on the official website: <https://www.zeapon.com>

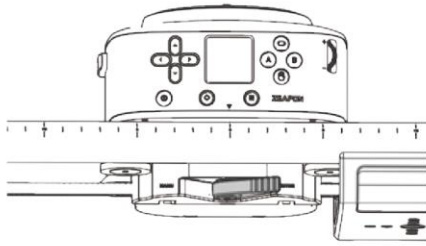


Belt adjustment

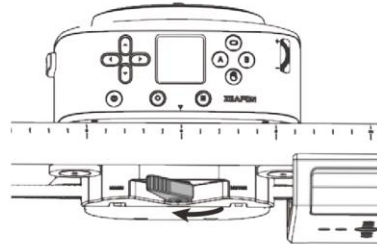


▶ A detailed operation video can be viewed on the official website: <https://www.zeapon.com>

Manual Motorized Control Switch Instructions



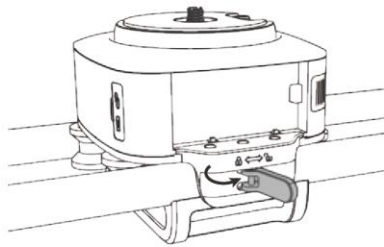
Motorized control mode



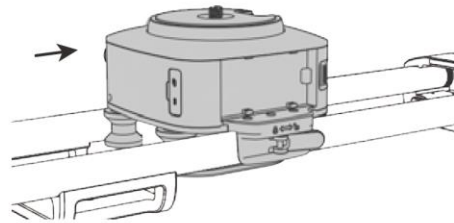
Manual mode

When switching to manual mode, the belt is separated, and the sliding rail can be pushed by hand to move smoothly

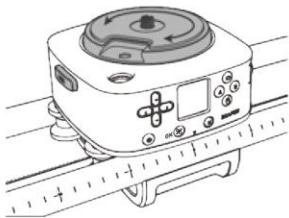
Slider Lock Instructions



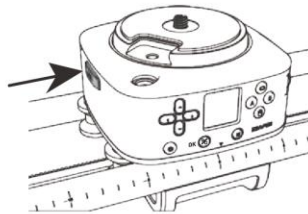
Open the trigger and the slider can operate normally



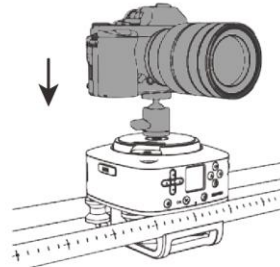
Head lock instructions



When the head lock is unlocked, the head can rotate



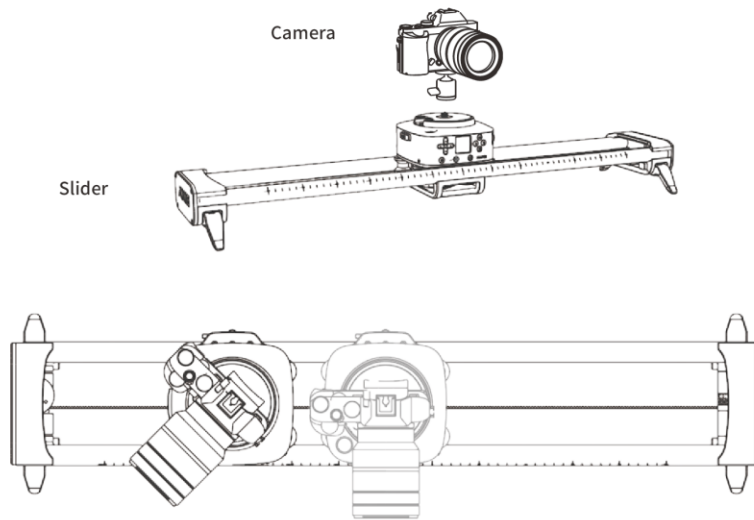
After the head lock is locked, the head is in a locked state and cannot be rotated. It is convenient to install equipment at this time



The head is in the locked state, install the device. After installation, loosen and you can use it normally

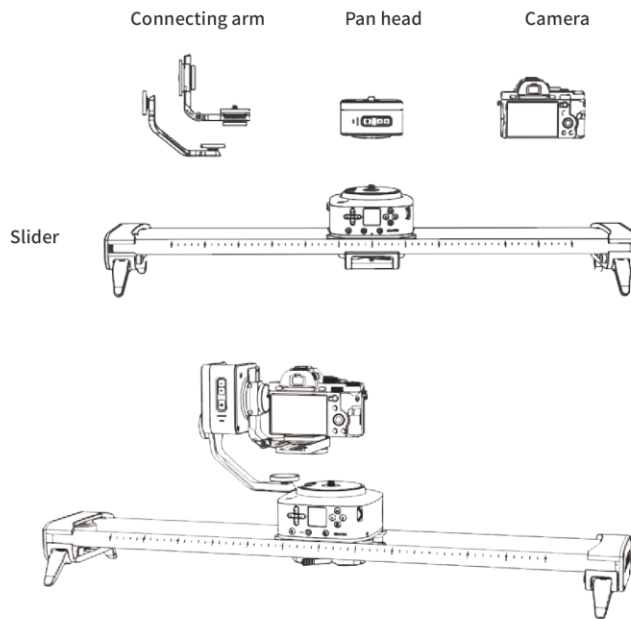
▶ A detailed operation video can be viewed on the official website: <https://www.zeapon.com>

Two-axis linkage



Left and right reciprocation + horizontal rotation axis can realize two-axis linkage

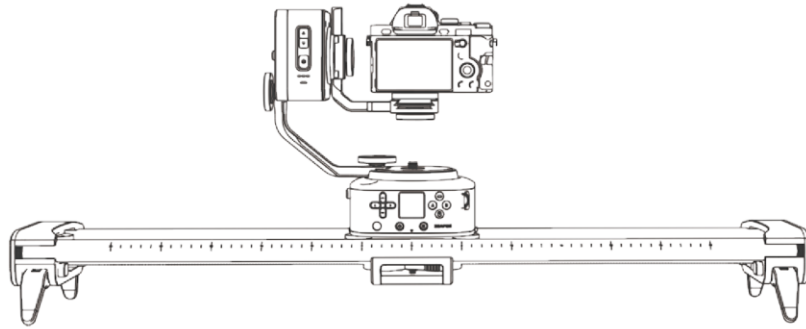
Three-axis linkage



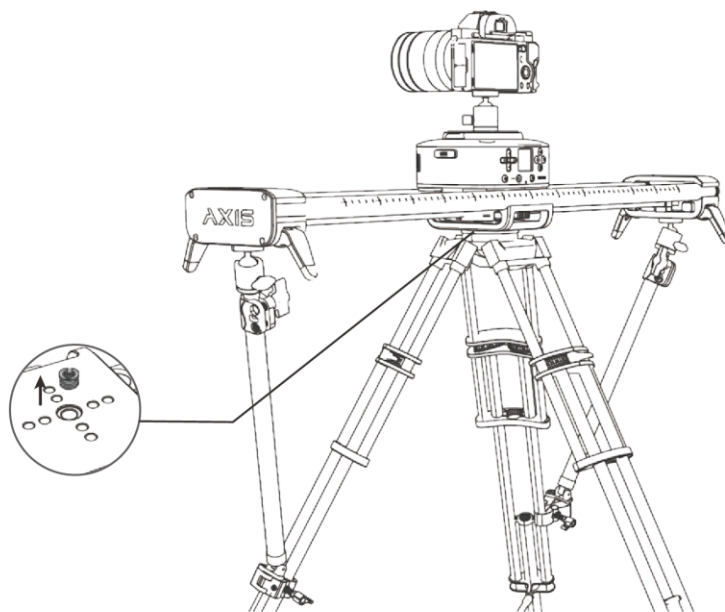
Left and right, back and forth + pan head + tilt head, can realize three-axis linkage

▶ A detailed operation video can be viewed on the official website: <https://www.zeapon.com>

Ground mode

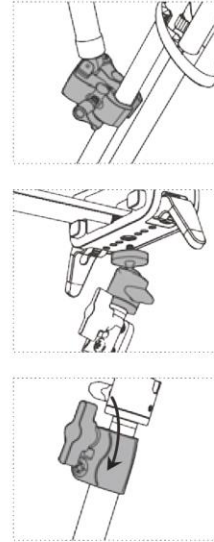
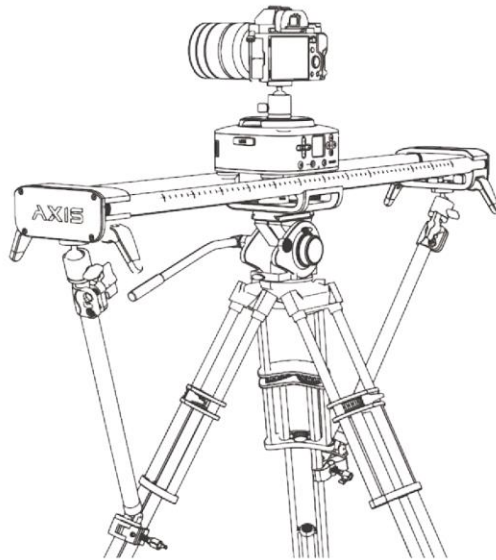


Tripod mode



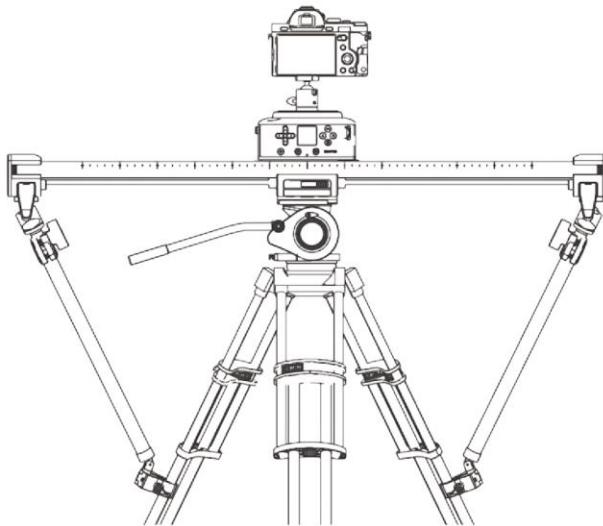
▶ A detailed operation video can be viewed on the official website: <https://www.zeapon.com>

Head mode

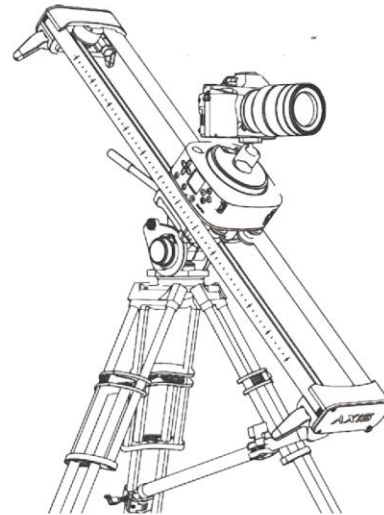


* After adjusting the head angle, all knobs and joints must be locked

Horizontal mode

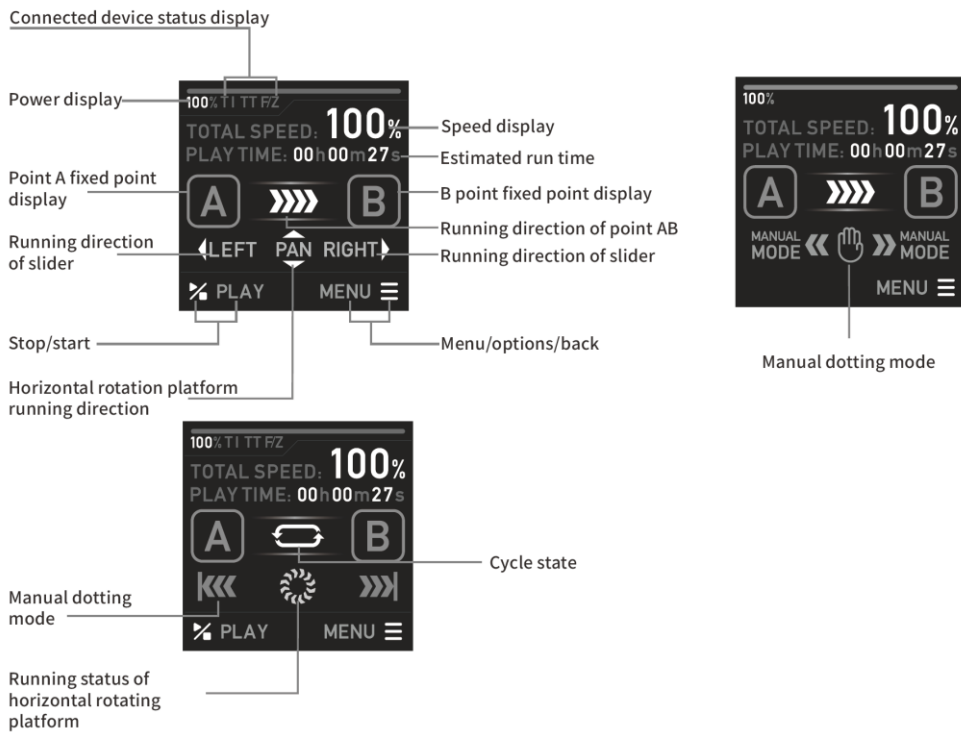


Tilt mode



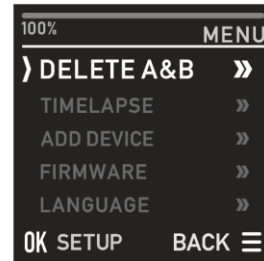
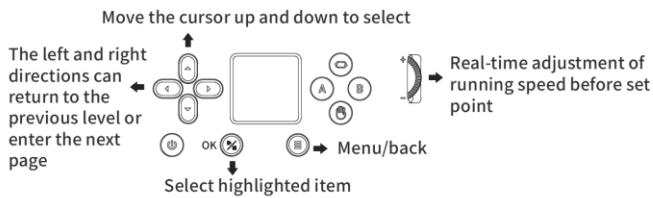
▶ A detailed operation video can be viewed on the official website: <https://www.zeapon.com>

Control Panel



Menu interface operation

Arrow Buttons and buttons can be used to operate the single slide menu



Follow the steps below to operate the menu

1 Show menu

Press the button to display the menu

2 Choose a menu

Press or to position the cursor on the selected menu

3 Confirm selection of highlighted item

Press to select the highlighted item. Press to exit without making a selection.

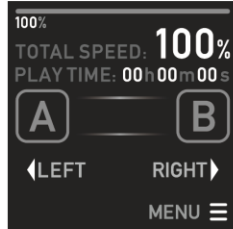
A detailed operation video can be viewed on the official website: <https://www.zeapon.com>

AB fixed point

- 1 Press the power button
- 2 Long press/double-click the arrow Buttons to slide the slider to the appropriate position
- 3 Long press/double-click the Buttons to make the head turn to a suitable position
- 4 Click the (A) button to set point A



Flashing left arrow

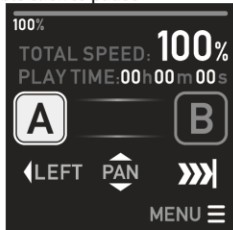


During the rotation of the horizontal rotation platform, the middle rotation direction icon flashes



Point A is highlighted

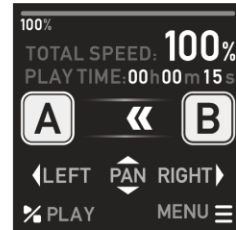
- 5 Long press/double click the arrow Buttons to position you wish and double click to pause
- 6 Long press/double click the Buttons to make the head turn to a suitable position and double click to pause
- 7 Click the (B) button to set point B



Right arrow blinking during slider operation

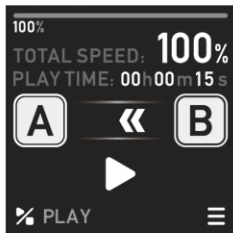


During the rotation of the horizontal rotation platform, the middle rotation direction icon flashes

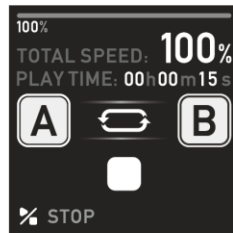


Point B is highlighted, and the arrow flashes from B to A at the same time, and the setting of point AB is completed

- 8 Click the Buttons to move the slider from B to A



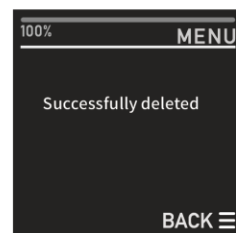
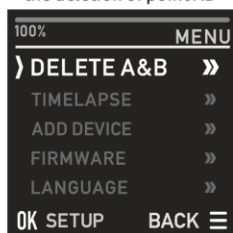
The arrow flashes during slider operation



Or click the cycle button, and then click the button to make the slide run in a cycle

Delete AB fixed point

- 1 After the AB point has been set, click the button
- 2 Click the button to confirm the deletion of point AB
- 3 Successfully deleted



A detailed operation video can be viewed on the official website: <https://www.zeapon.com>

Time-lapse photography

- 1 Refer to the AB fixed point 1---7 steps to set the AB point
- 2 Click the button to select time-lapse photography through
- 3 Click the button to select custom time-lapse photography

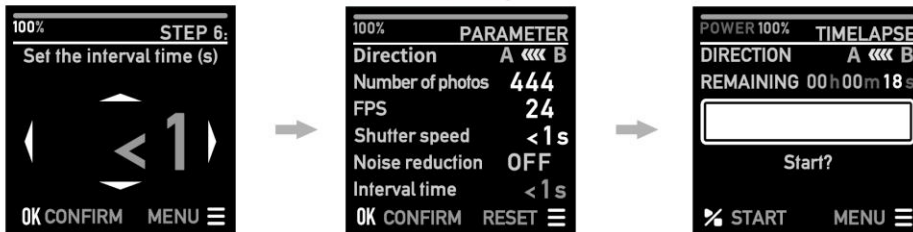
Use the left and right arrow Buttons to select the number to be edited and the page up or down, and the up and down arrow Buttons to select the value of the edited number. Each digit provides a choice of 0-9, and a total of 999 photos can be set



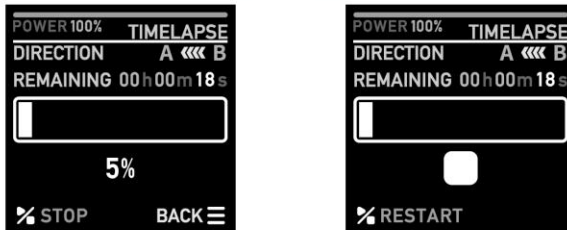
- 5 Set the frame rate, the system defaults to 6 frame rates for selection
- 6 Set the shutter speed, there are options of <1, and three digits 0-9. This setting must be consistent with the setting on the camera
- 7 Exposure noise reduction, you can choose to turn it off or on, and this item needs to be consistent with the settings on the camera



- 8 Set the interval time, there are <1, and the choice of three digits 0-9. This setting must be consistent with the setting on the camera
- 9 For a list of parameters, press to confirm the parameters and enter the start shooting page. You can also press to enter the parameter modification option page and reset
- 10 Click the button to start shooting




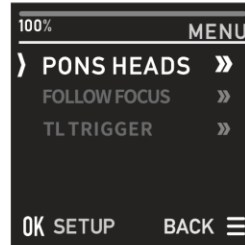
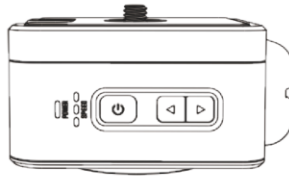
- 11 After shooting, you can also press the Buttons to stop and restart



A detailed operation video can be viewed on the official website: <https://www.zeapon.com>

Connect new device

- 1 Click the  Buttons to enter the menu interface and select "connect new device"
- 2 Turn on the power of the device to be connected (take the single-axis head as an example)
- 3 Confirm "connect new device" on the slider screen, and select "head" (there are three options: head, synchronizer, and follow focus)



- 4 Enter the connection page and select the Mac number of the corresponding device. After the connection is successful, the small dot on the right will turn "green"



The connection between the synchronizer and the follow focus is the same as above

Equipment upgrade

The upgrade of the slider needs to be upgraded through the APP. For the APP, please go to the major application markets to search for "Zeapon Lab or ZEAPON official website to download and. For the specific operation steps of the upgrade, please refer to the APP operation guide, or watch the operation video on the official website




The versions before and after the upgrade can be viewed in the menu "Firmware Information"

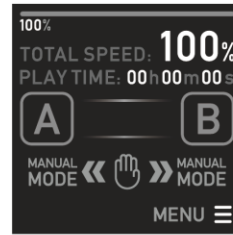
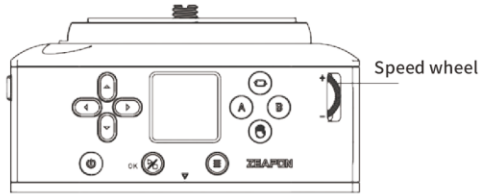
language settings



Enter the menu page and select "Language Settings" to provide two languages: "English" and "Chinese". The system defaults to English

 A detailed operation video can be viewed on the official website: <https://www.zeapon.com>

Real-time speed regulation



1~100%
speed real-time
display

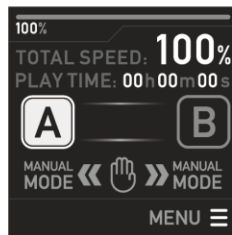
In the Motorized control mode, before the point AB is set, manually pull the adjustment wheel, and the total running speed value of the system will be displayed on the screen in real time

Manual dot

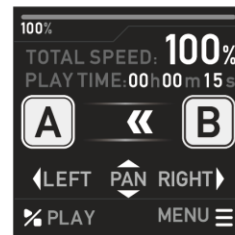
- 1 Long press the slider (power) button for 3s to boot
- 2 Long press the (manual) Buttons
- 3 Push the Motor and turn the horizontal rotating platform to a suitable position by hand
- 4 Click the (A) button to set point A
- 5 Push the Motor and turn the horizontal rotating platform to a suitable position by hand
- 6 Click the (B) button to set point B



At this time, the gesture icon appears on the screen, and the arrow flashes

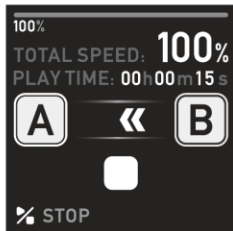


At this time, screen A is highlighted



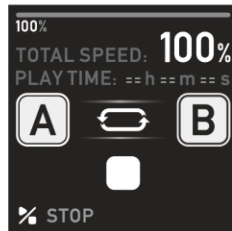
At this time, screen B is highlighted, and the arrows are blinking by B and A

- 7 Click the (cycle) Buttons to move the slider from B to A



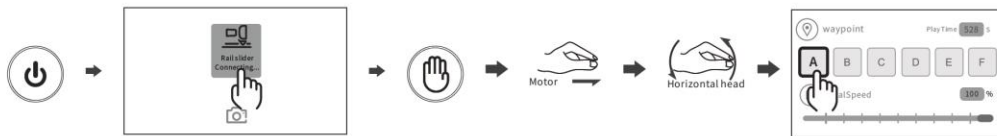
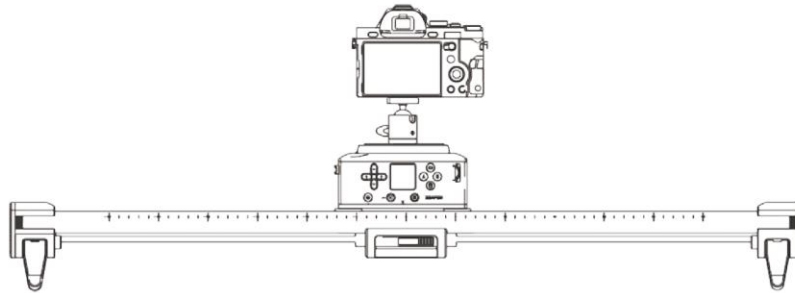
The arrow flashes during slider operation

Or click the (cycle) button, and then click the (cycle) button to make the slide run in a cycle

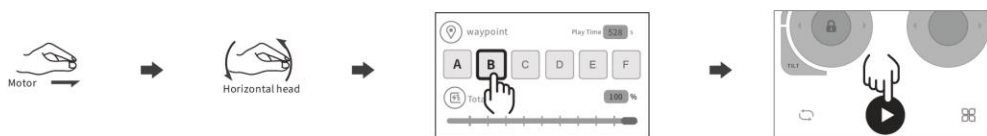
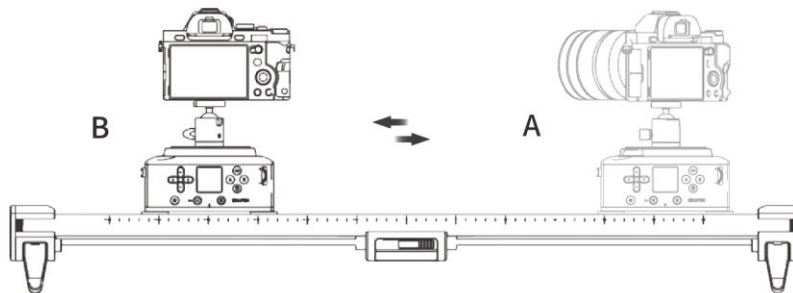


*Physical buttons can only set AB two points, mobile APP can set multi-point track

APP manual fixed point



- 1 Long press the power button for 3s to boot
- 2 Open the APP and connect to the corresponding slider
- 3 Long press the manual dotting button on the Motor
- 4 Push the Motorized control module to the proper position
- 5 Turn the pan/tilt to a suitable position
- 6 Click point A to set point A



- 7 Push the Motorized control module to the proper position
- 8 Turn the pan/tilt to a suitable position
- 9 Click point B to set point B
- 10 Click start button

Repeat the above 3/4/5 point operation *APP dot can set A----F six points
For more APP functions, refer to the official tutorial

FCC Statement

This equipment has been tested and found to comply with the limits for a Class B digital device, pursuant to Part 15 of the FCC Rules. These limits are designed to provide reasonable protection against harmful interference in a residential installation. This equipment generates, uses and can radiate radio frequency energy and, if not installed and used in accordance with the instructions, may cause harmful interference to radio communications. However, there is no guarantee that interference will not occur in a particular installation. If this equipment does cause harmful interference to radio or television reception, which can be determined by turning the equipment off and on, the user is encouraged to try to correct the interference by one or more of the following measures:

- Reorient or relocate the receiving antenna.
- Increase the separation between the equipment and receiver.
- Connect the equipment into an outlet on a circuit different from that to which the receiver is connected.
- Consult the dealer or an experienced radio/TV technician for help.

This device complies with Part 15 of the FCC Rules. Operation is subject to the following two conditions: (1) this device may not cause harmful interference, and (2) this device must accept any interference received, including interference that may cause undesired operation.

Changes or modifications to this unit not expressly approved by the party responsible for compliance could void the user's authority to operate the equipment.

Radiation Exposure Statement.

The device has been evaluated to meet general RF exposure requirement. in portable exposure condition without restriction.

Kind tips

Please go to the major application markets to search for "Zeapon Lab" or ZEAPON official website www.zeapon.com to download and install the APP!



Download App from Zeapon web

Please note: This product does not provide batteries and battery chargers, if necessary, please purchase them separately!

Thank you for using it!

※ If the internal structure of the Motor is disassembled without authorization, the warranty service cannot be enjoyed!!