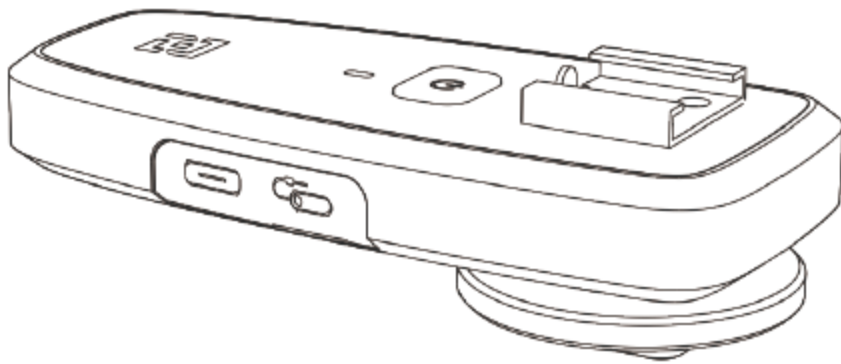


English

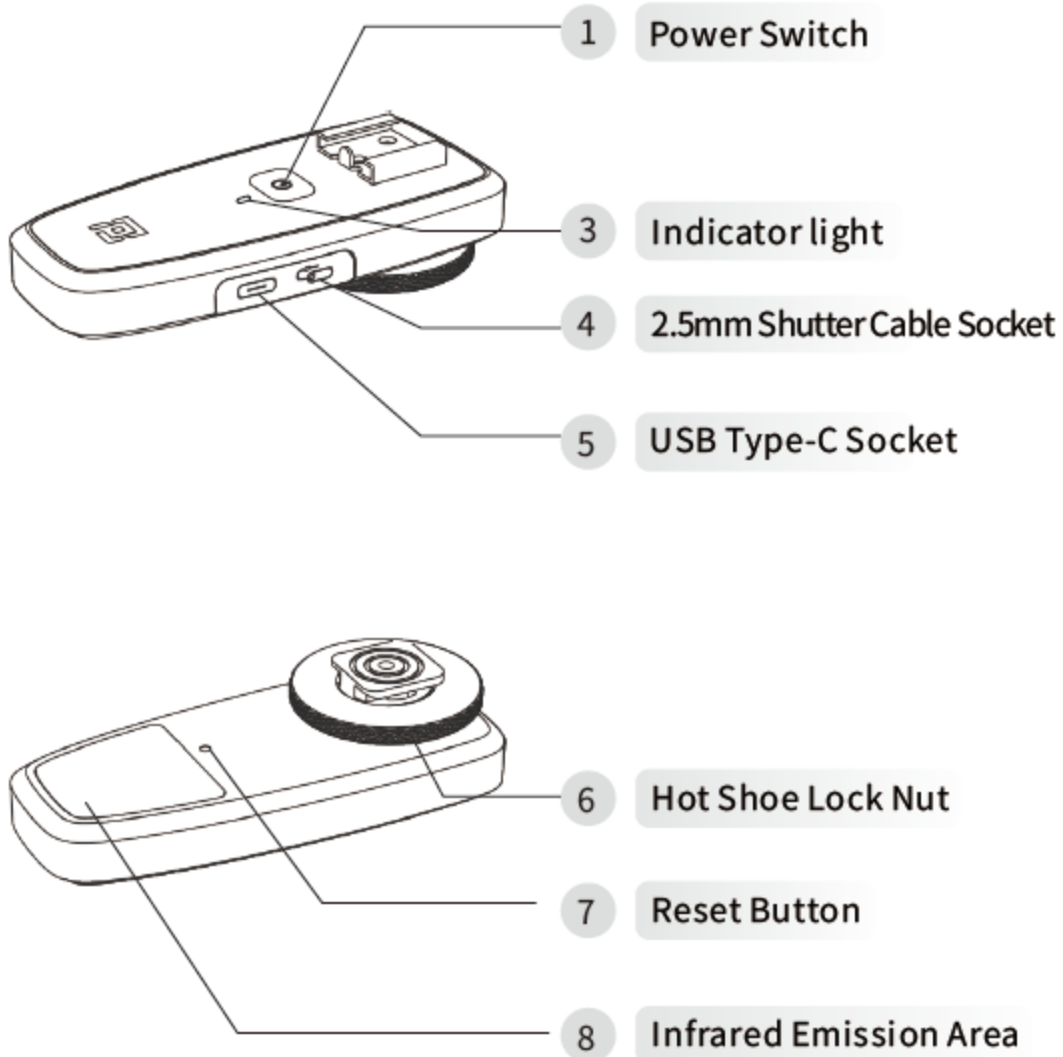
Timelapse Trigger

AF-E1



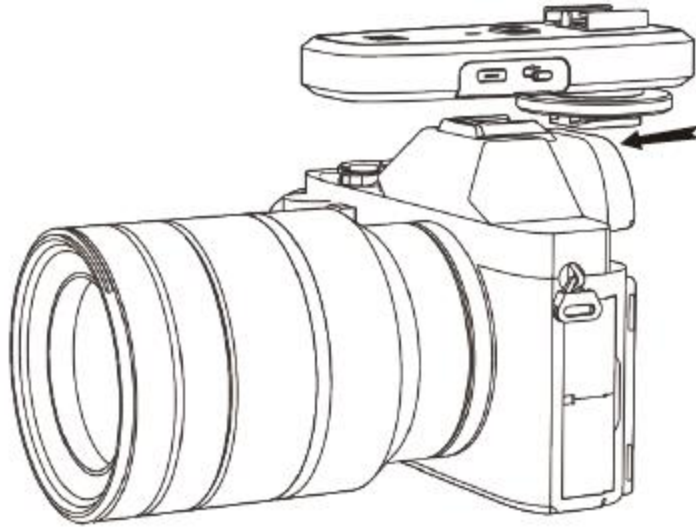
Operating Instruction

Product Description

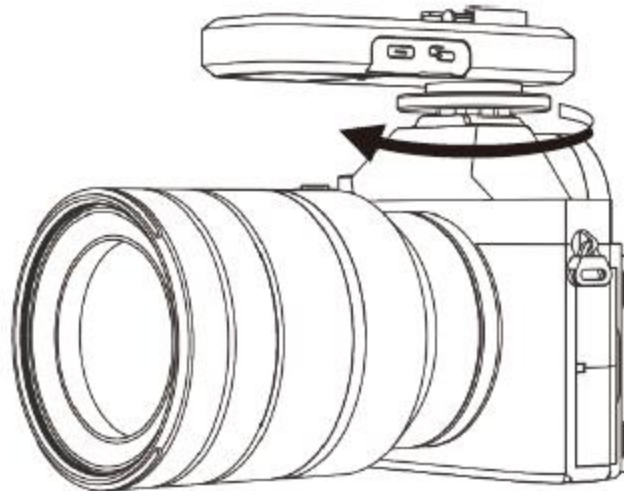


Do not block the infrared emission area during use!
The delivered USB cable is for timelapse trigger charging only!

Timelapse Trigger Connection Method

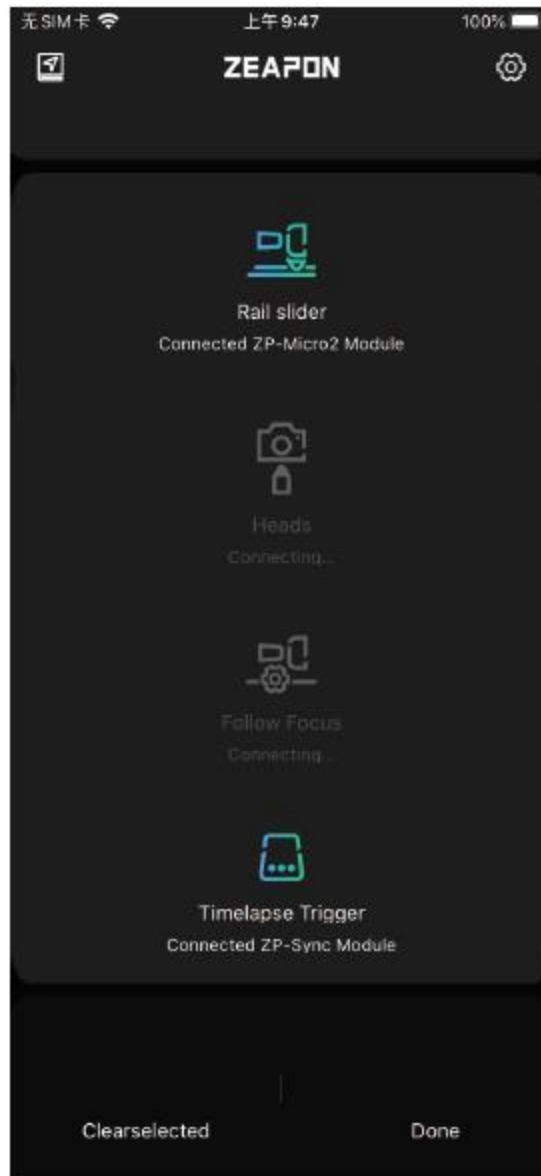


Insert the timelapse trigger into the camera

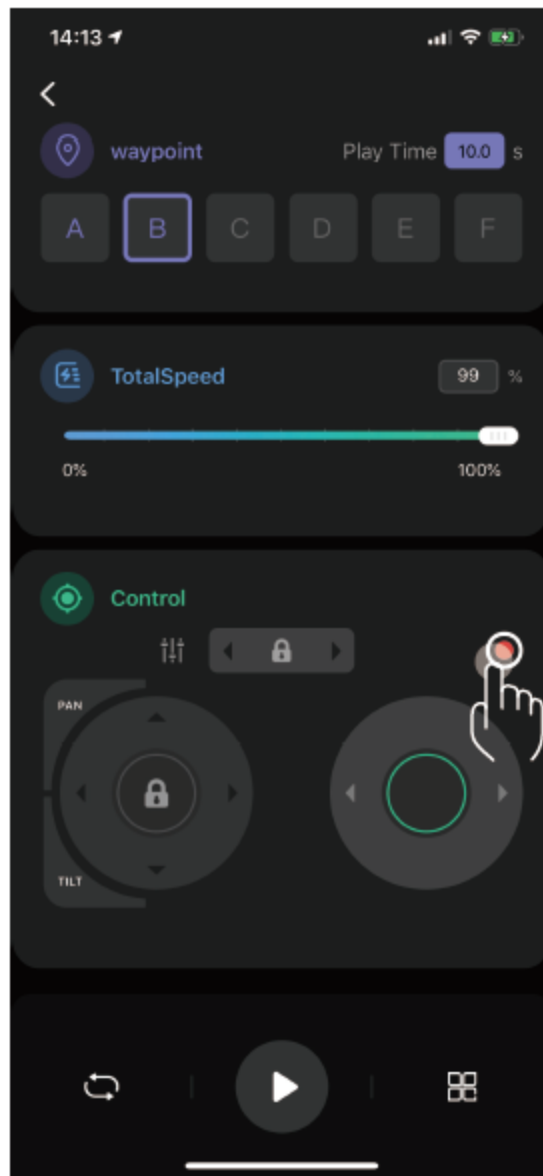


Tighten the hot shoe lock nut to secure the timelapse trigger

App User Guide

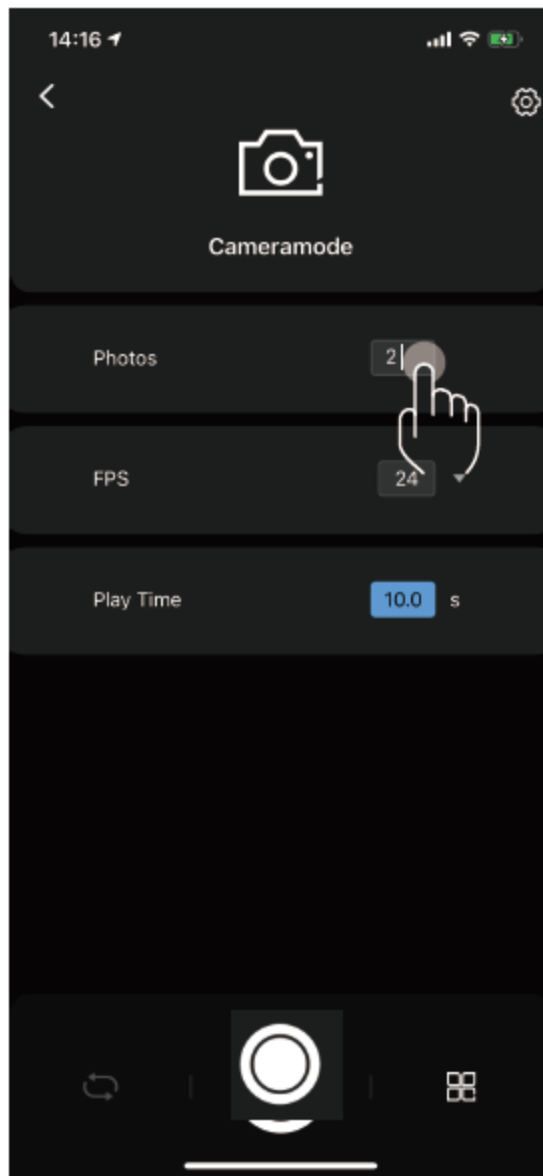


Timelapse Trigger and at least one other ZEAPON device are connected to the app at the same time



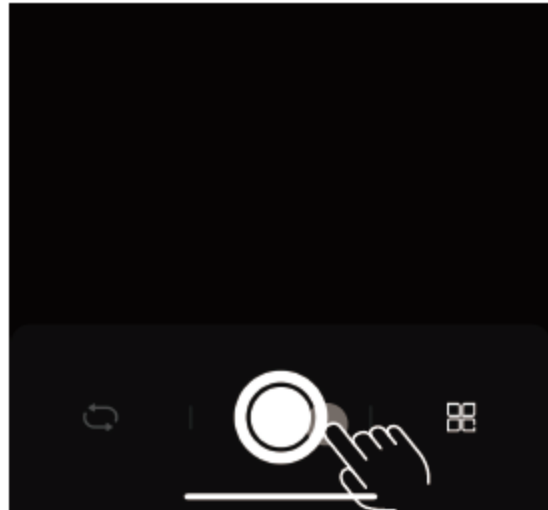
Enter Video Mode

Tap the record button after setting two or more waypoints,
The camera starts recording while device starts,
(Only Sony cameras with infrared control are supported)

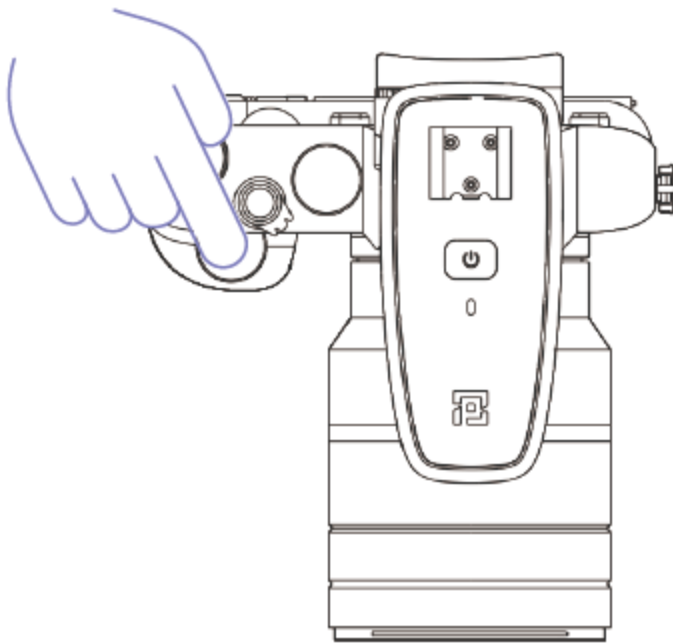


Enter Camera Mode

After setting two or more waypoints,
Set the interval shooting parameters on the camera,
Fill the number of photos of the parameter into the parameter
box of number of photos under the App Camera Mode

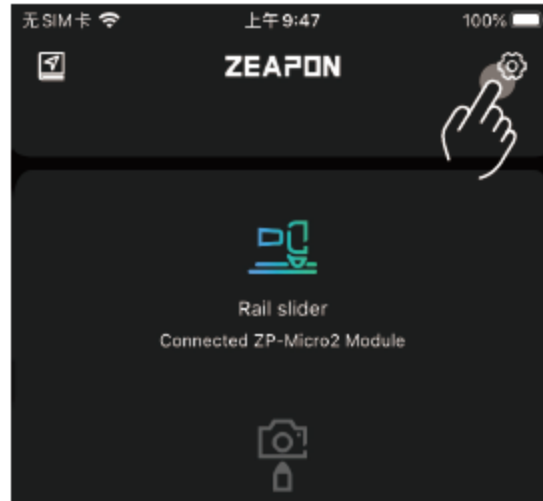


Click to start

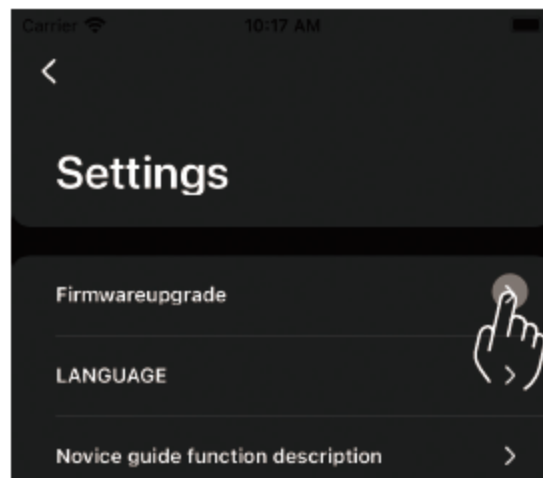


Then press the shutter button of the camera to start shooting

Firmware Upgrade



Tap the settings button on any interface



Select the corresponding device from the Firmware Upgrade Menu

If you are prompted that the upgrade failed, please reset by pressing the timelapse trigger reset button and try again

Important:

This device complies with Part 15 of the FCC Rules. Operation is subject to the following two conditions: (1) this device may not cause harmful interference, and (2) this device must accept any interference received, including interference that may cause undesired operation.

Changes or modifications to this unit not expressly approved by the party responsible for compliance could void the user's authority to operate the equipment.

NOTE: This equipment has been tested and found to comply with the limits for a Class B digital device, pursuant to Part 15 of the FCC Rules. These limits are designed to provide reasonable protection against harmful interference in a residential installation. This equipment generates, uses and can radiate radio frequency energy and, if not installed and used in accordance with the instructions, may cause harmful interference to radio communications. However, there is no guarantee that interference will not occur in a particular installation. If this equipment does cause harmful interference to radio or television reception, which can be determined by turning the equipment off and on, the user is encouraged to try to correct the interference by one or more of the following measures:

- Reorient or relocate the receiving antenna.
- Increase the separation between the equipment and receiver.
- Connect the equipment into an outlet on a circuit different from that to which the receiver is connected.
- Consult the dealer or an experienced radio/TV technician for help.

This device and its antenna(s) must not be co-located or operation in conjunction with any other antenna or transmitter.

Radiation Exposure Statement

The device has been evaluated to meet general RF exposure requirement. in portable exposure condition without restriction.