

承认书

SPECIFICATION FOR APPROVAL

客户名称 (CUSTC 立景科技有限公司)

客户料号 (CUSTOMER P/N) :


品名 (DESCRIPTION):

DATE: 2024/6/13

规格 (SPECIFICATION) : The length of watch coil + adhesive lead is 5mm

REV.NO.:A0

鸿日昇威科技承认签核、盖章

department	Confirmation/Date	Audit/Date	ratify/Date	(Seal of company)
quality	董晚红	吕惠	韦函满	
project	何伟华	韦立红	韦立红	

备注:

Lijing technology acknowledges signing, sealing

department	Confirmation/Date	Audit/Date	Approval/Date	(Seal of company)
development				
purchase				
quality				

备注:

深圳市鸿日昇威科技有限公司

HRSW ELECTRONICS CO.,LTD

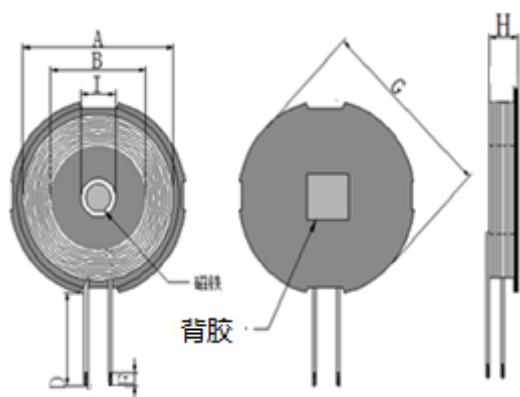
ADD: 深圳市龙华新区观澜环观中路48号1栋2楼

TEL: +86-15112254520 FAX: +86-0755-28015170

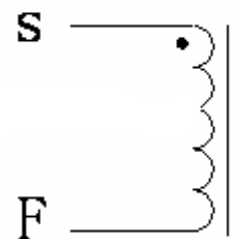
page:1/2

SPECIFICATION FOR APPROVAL

1. MECHANICAL DIMENSION (UNIT:mm)



2. SCHEMATICS:



天线增益: Antenna gain	
Operation frequency:	111kHz-205kHz, 360kHz
Antenna Type:	Loop coil Antenna
Antenna gain:	0dBi

A	B	D	E	G	H	I		
21±1.0	13.5±3	5±2	3±2	26.5MAX	2.85MAX	7.8±0.6		磁铁: 7.8*2.45 3200高斯

3. WINDING:

ST EP	START-FINISH	WIRE TYPE	TURNS	TAPE	REMARK
N1	S-F	Hot air wire∅0.08*24mm 2UEW	13TS (Ref)		

4. ELECTRICAL SPECIFICATION:

ITEM	L	DCR	L	Q value	HI-POT
TEST	Coil and diskette	S-F		S-F	
CON	100KHz, 0.25V	AT 25°C		100KHz, 0.25V	
SPEC	6.5uH±10%	40mΩ Max		44.5	

5. BILF OF MATERIAL:

NO.	ITEM	MATERIAL SPECIFICATION	MANUFACTURER	SGS NO.
1	Copper wire	0.08*24P	NANJINGJINNINGCO,LTD	
2	Lead-free tin strip	Lead-free tin strip	QIAODO	
3	Magnetic sheet	U52 Hard magnetic	TAIYI CO.,LTD	
4	glue	Yellow gum 9999	LIANCHENG CO.,LTD	
5	magnet	3200 Gauss	TAIYI CO.,LTD	
6	Rubber backing	∅25*0.1 3M	CUDAK CO.,LTD	

HRSW ELECTRONICS CO.,LTD	PART NO	
	TITLE	The length of watch coil + adhesive lead is 5mm
DRAWN BY	CHECKED BY	APPROVED BY
何伟华	韦立红	韦立红