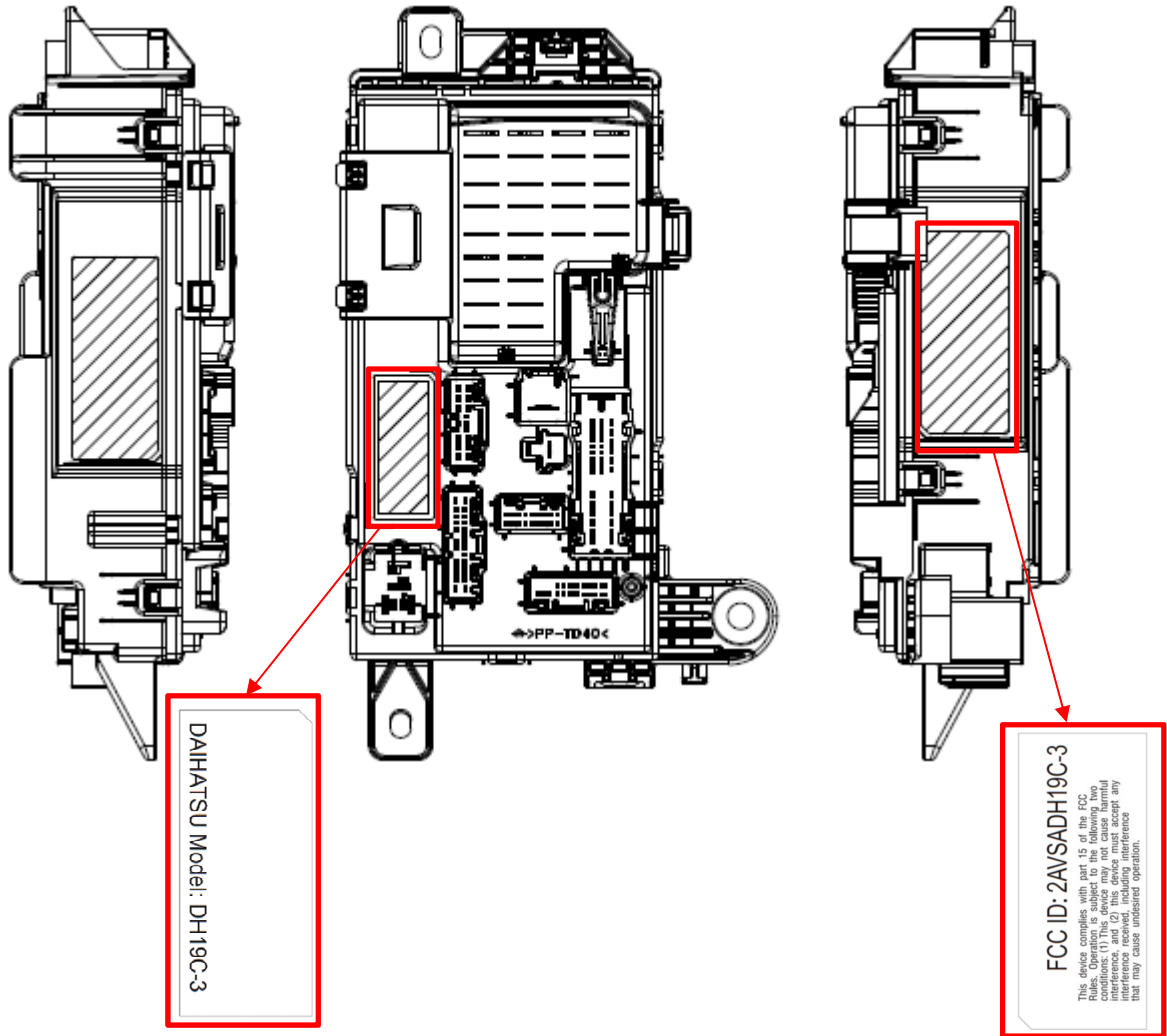


Product: Keyfree system
Model: DH19C-3
Marking location:



Note:

Compliance statement of marking will not be changed.

Marking layout, size and other indications maybe changed and added. Marking is embossed, printed with laser marking or labeled.

In case the label is embossed or printed with laser, the label is durable within the product life. In case the label is affixed with an adhesive, the label will not peel off within the product life.

The outer case may be changed.