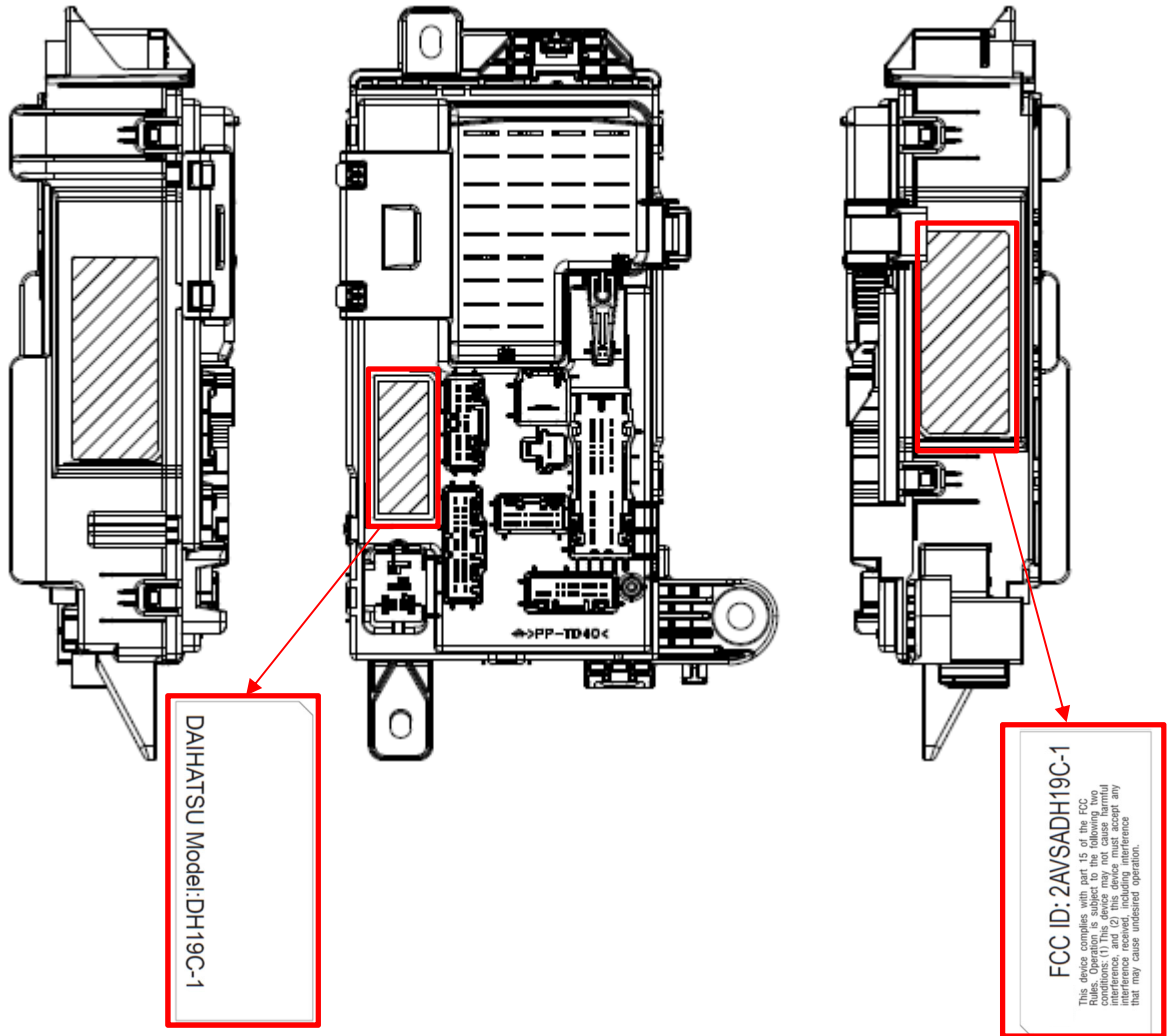


Product: Keyfree System

Model: DH19C-1

Marking location:



Note:

Compliance statement of marking will not be changed. Marking layout, size and other indications maybe changed and added. Marking is embossed, printed with laser marking or labeled.