

## Thank you for purchasing GUARD720P Video door Bell

### Important information:

PAC009 Video door bell Instruction manual

### Model: PAC009

- Minimum system requirement for Guard720 app
- IOS 8.0 or higher
- Android 8.0 or higher



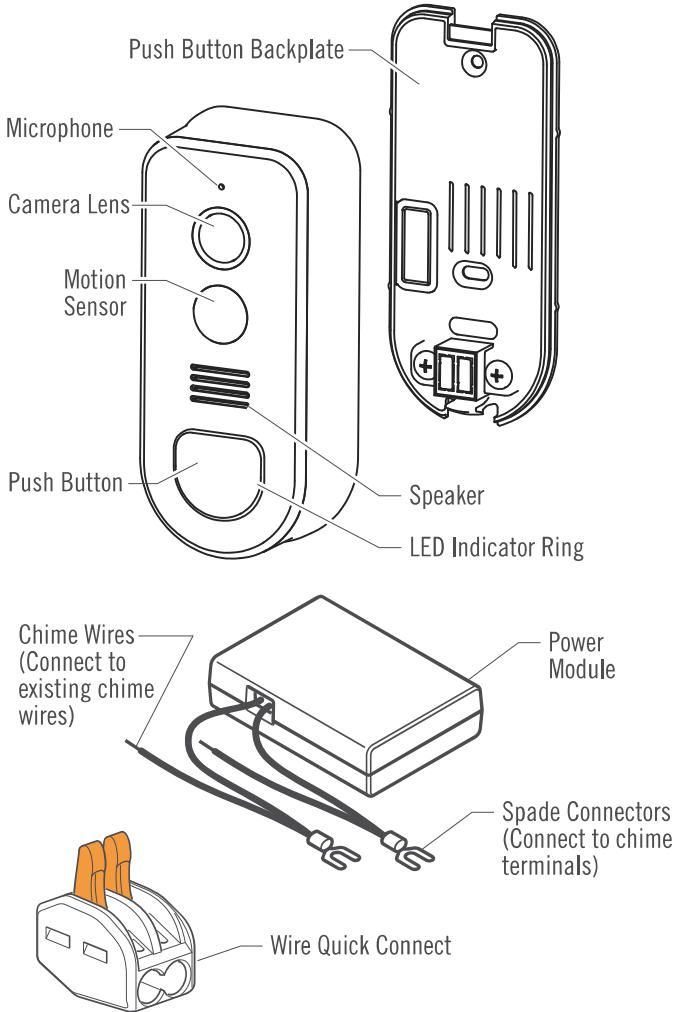
### You will need

- Password for your home network
- Broadband internet connection with home wi-fi router
- Existing wired chime
- 16Volt AC transformer
- Phillips screwdriver
- Flat-head screwdriver
- Storage by Micro-SD card(not included)

**NOTICE:** Install the Guard doorbell in a covered location; away from direct sunlight, rain, and humidity. Do not allow salt water or other conductive liquids to come into contact with the doorbell.

## 1 Know Your System

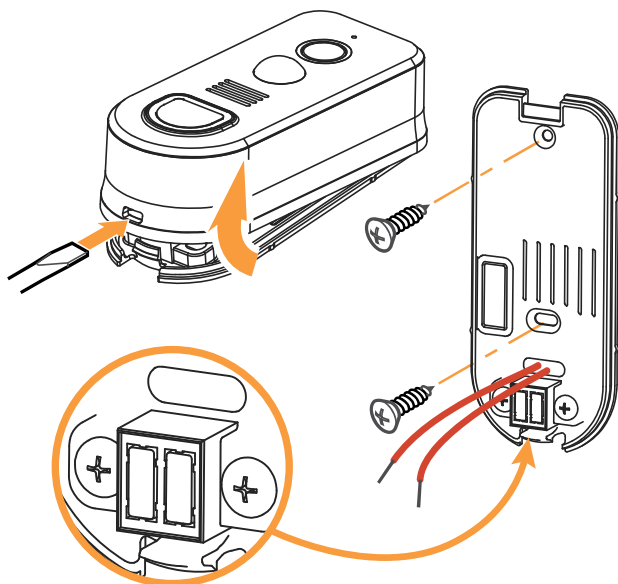
- Use the illustration below to get to know the different components of your new doorbell.



## 2 Mount the Push Button Backplate

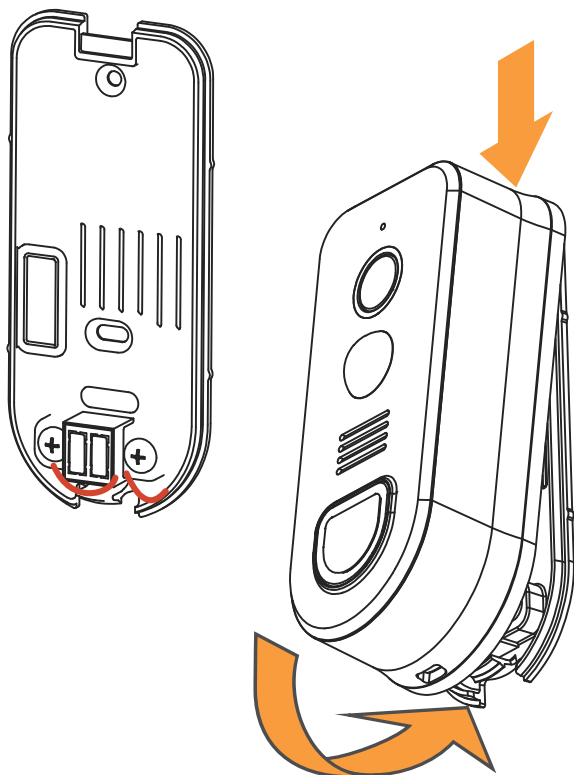
- Remove existing wired push button.
- Using a small flathead screwdriver, push in tab on bottom of push button to remove back.
- Insert the existing push button wires through the hole just below the terminal screws.
- Attach backplate to wall using the #6 screws provided (only use the screws included to ensure proper installation).

**IMPORTANT:** Be careful not to bend the metal contacts during backplate installation or while connecting the wires to the backplate.



### 3 Wire the Push Button Backplate

- Attach the two wires from the chime and transformer to the screw terminals on the push button backplate.  
**NOTE:** The wires may be connected to either screw.
- Hook top of cover onto top of backplate and rotate down until cover snaps into place.

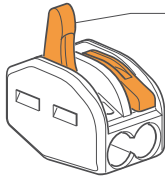


#### **4** Install the Power Module

**IMPORTANT:** If the mechanical chime (tone bars) is not operating correctly, see FAQs in the owner's manual for more information before installing the power module. See Example 2.

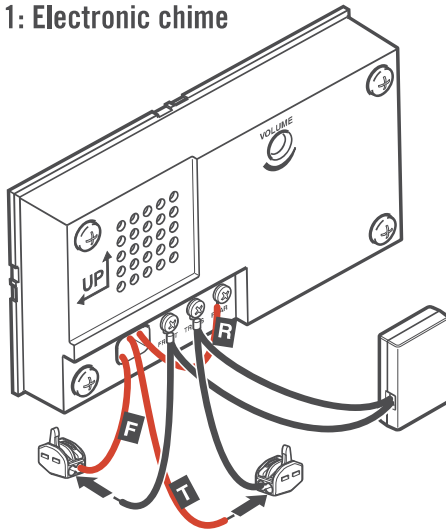
- Remove the chime cover from the existing chime.
- Label the chime wires according to the terminal they are attached to (TRANS, FRONT, REAR).
- Remove the transformer (TRANS) wire and connect it to one of the wires on the power module using the wire quick connect (included). Connect the power module spade connector on this wire to the transformer (TRANS) screw terminal.
- Remove the wire going to the Guard720 doorbell (either FRONT or REAR) and connect it to the other wire on the power module using the wire quick connect (included). Connect the power module spade connector on this wire to the screw terminal the wire was previously attached to.
- Use the double-sided tape to attach the power module to the chime (if space is available behind the chime cover) or to the outside of the chime cover.
- Replace the cover.

**IMPORTANT:** Do not allow the power module or wires to touch the tone bars (mechanical chime – if installed) or cover the speaker (electronic chime) as this may affect the sound of the chime when activated.



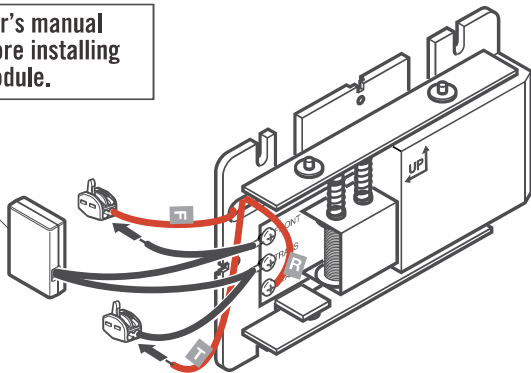
Ensure the orange quick connect paddles are completely up (perpendicular) before inserting chime wires. After wires are inserted, press the orange paddles down to secure the wires. Gently pull on the wires to ensure they are secured.

### Example 1: Electronic chime



### Example 2: Mechanical chime

See owner's manual FAQs before installing power module.



## 5 Download the Guard720 Products App

- Go to the App Store<sup>SM</sup> or Google Play<sup>TM</sup> and search for the “Guard720” app and download.



Guard720

## 6 Setup the Guard720 Products App and Camera

- **IMPORTANT: Your home wi-fi network password will be required during this process.**
- Allow 1 minute to fully boot-up.
- Once connected, open the Guard 720 app. The app will guide you through the remaining steps.

## 7 Setup Your Chime Type

- **IMPORTANT: If you have a mechanical chime (see example 2), no setup is necessary.**
- For electronic chimes (see example 1), open the Guard720 Products app.
- Go to “Settings” > “Advanced Settings” > “Chime Selection” > “Electronic”.
- Select “10 Seconds” and press “Save”.

**Application: suitable for front door or back door, front yard or back yard...**





## **FCC Warning Statement**

This device complies with part 15 of the FCC rules. Operation is subject to the following two conditions (1) this device may not cause harmful interference, and (2) this device must accept any interference received, including interference that may cause undesired operation.

Changes or modifications not expressly approved by the party responsible for compliance could void the user's authority to operate the equipment.

This equipment has been tested and found to comply with the limits for a Class B digital device, pursuant to Part 15 of the FCC Rules. These limits are designed to provide reasonable protection against harmful interference in a residential installation. This equipment generates uses and can radiate radio frequency energy and, if not installed and used in accordance with the instructions, may cause harmful interference to radio communications. However, there is no guarantee that interference will not occur in a particular installation. If this equipment does cause harmful interference to radio or television reception, which can be determined by turning the equipment off and on, the user is encouraged to try to correct the interference by one or more of the following measures:

- Reorient or relocate the receiving antenna.
- Increase the separation between the equipment and receiver.
- Connect the equipment into an outlet on a circuit different from that to which the receiver is connected.
- Consult the dealer or an experienced radio/TV technician for help.

## **FCC Radiation Exposure Statement**

The antennas used for this transmitter must be installed to provide a separation distance of at least 20 cm from all persons and must not be co-located for operating in conjunction with any other antenna or transmitter.

Apple and the Apple logos are trademarks of Apple Inc., registered in the U.S., and other countries. App Store is a service mark of Apple Inc.

Google Play is a trademark of Google Inc.

Android is a trademark of Google Inc.