

Antenna Information

This antenna shall be used with the radio within the end product (see Figure 3).

Manufacturer	Linx Technologies Inc.
Manufacturer Part #	ANT-2.4-CW-RCS
Gain	-0.2dBi
Type	Whip, right angle
Description	2.4GHz Bluetooth, Thread, Wi-Fi, Zigbee™ Whip, Right Angle RF Antenna 2.35GHz ~ 2.5GHz -0.2dBi RP-SMA Male Connector Mount

Attributes

RF Family/Standard	802.15.4, Bluetooth, Wi-Fi
Frequency Group	UHF (2GHz ~ 3GHz)
Frequency (Center/Band)	2.4GHz
Frequency Range	2.35GHz ~ 2.5GHz
Number of Bands	1
VSWR	1.9
Termination	RP-SMA Male
Mounting Type	Connector Mount
Height (Max)	2.106" (53.50mm)
Applications	Bluetooth, Thread, Wi-Fi, Zigbee™
Minimal separation of antenna to person(s) during operation?	4.5 cm
Is it close to the limbs, head, or torso when transmitting?	Antenna can be no closer than 4.5 cm from limb when used as instructed.



Figure 1: Actual Part Image

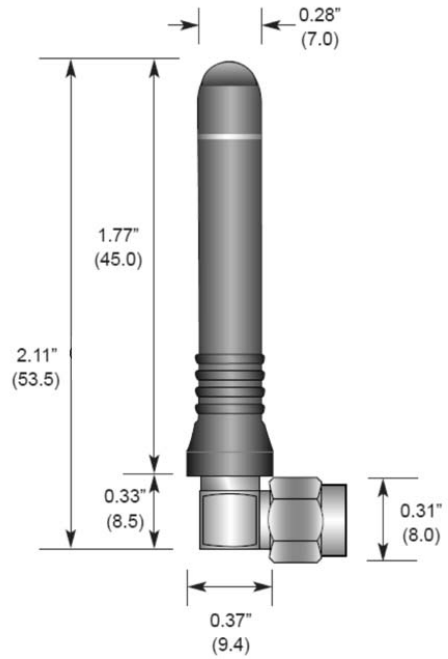


Figure 2: Antenna Dimensions

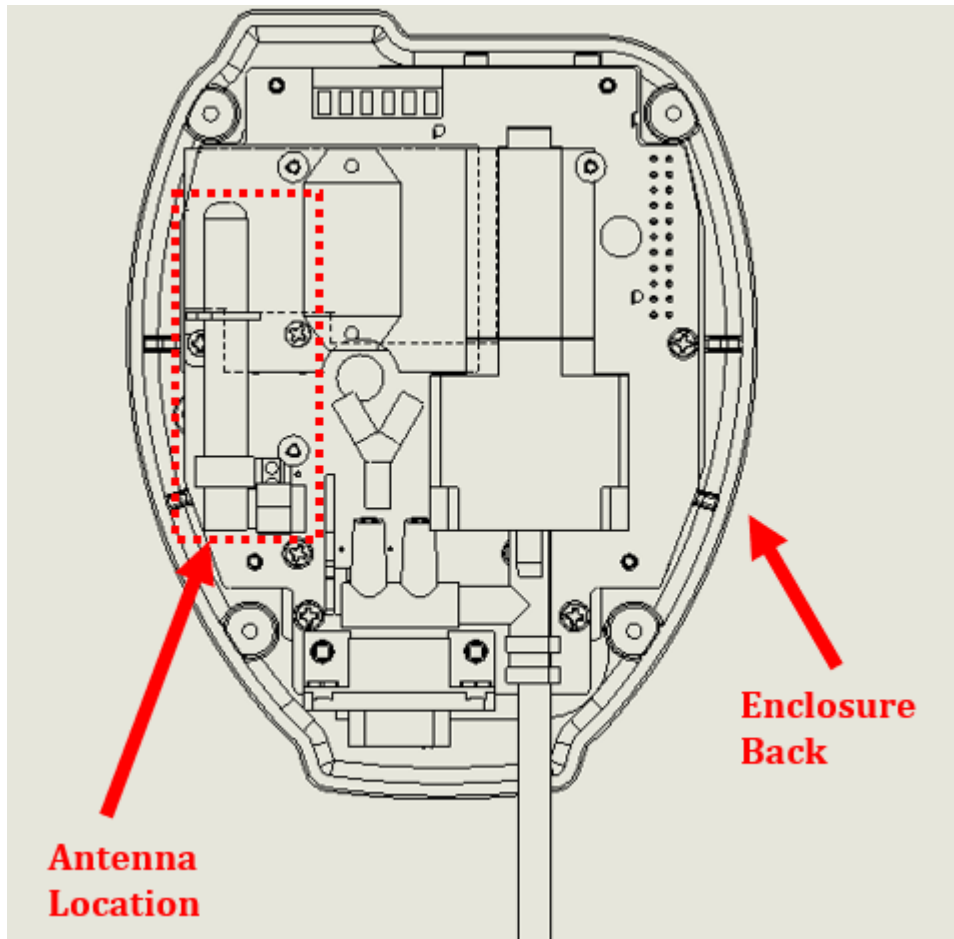


Figure 3: Internal Layout