

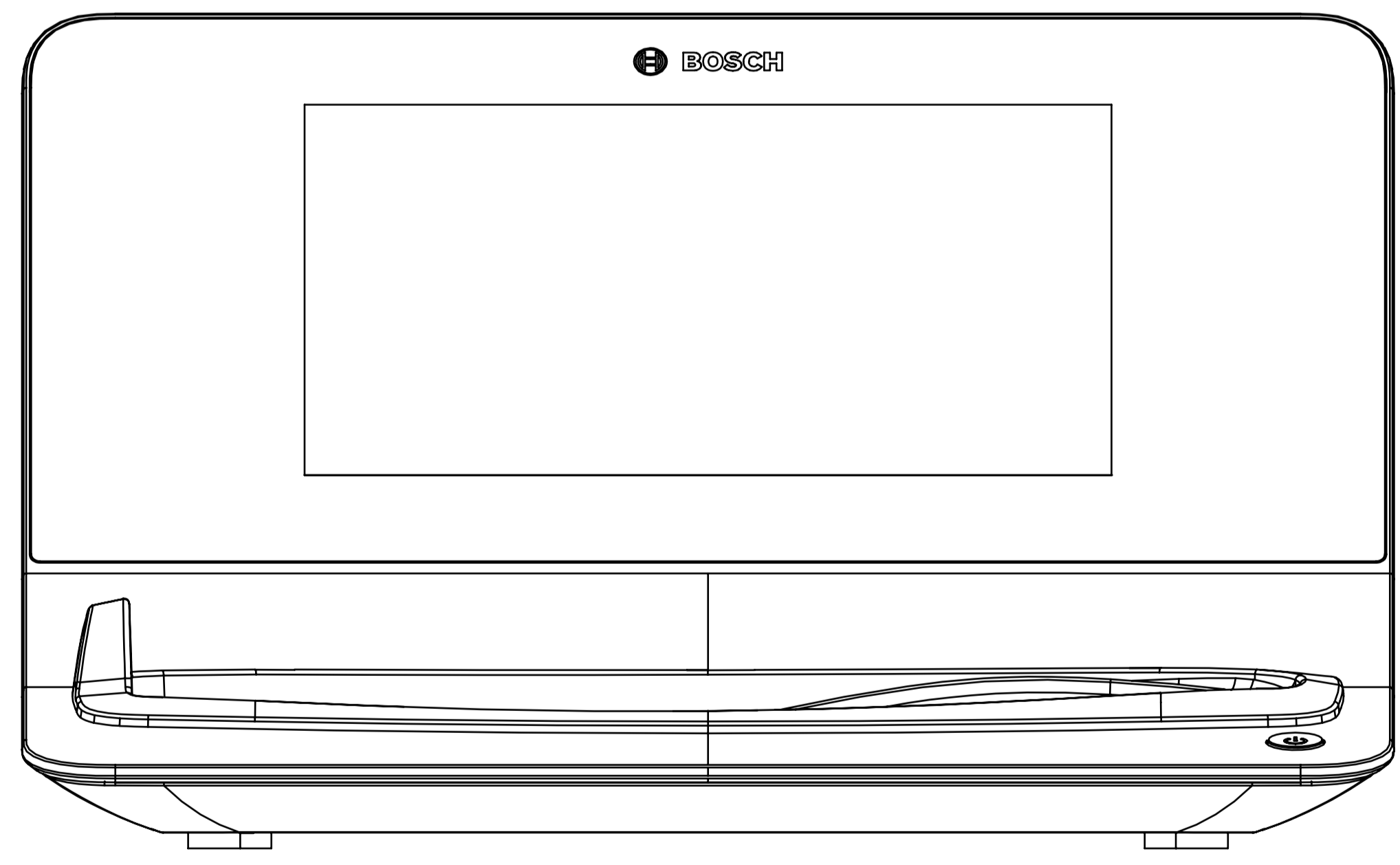
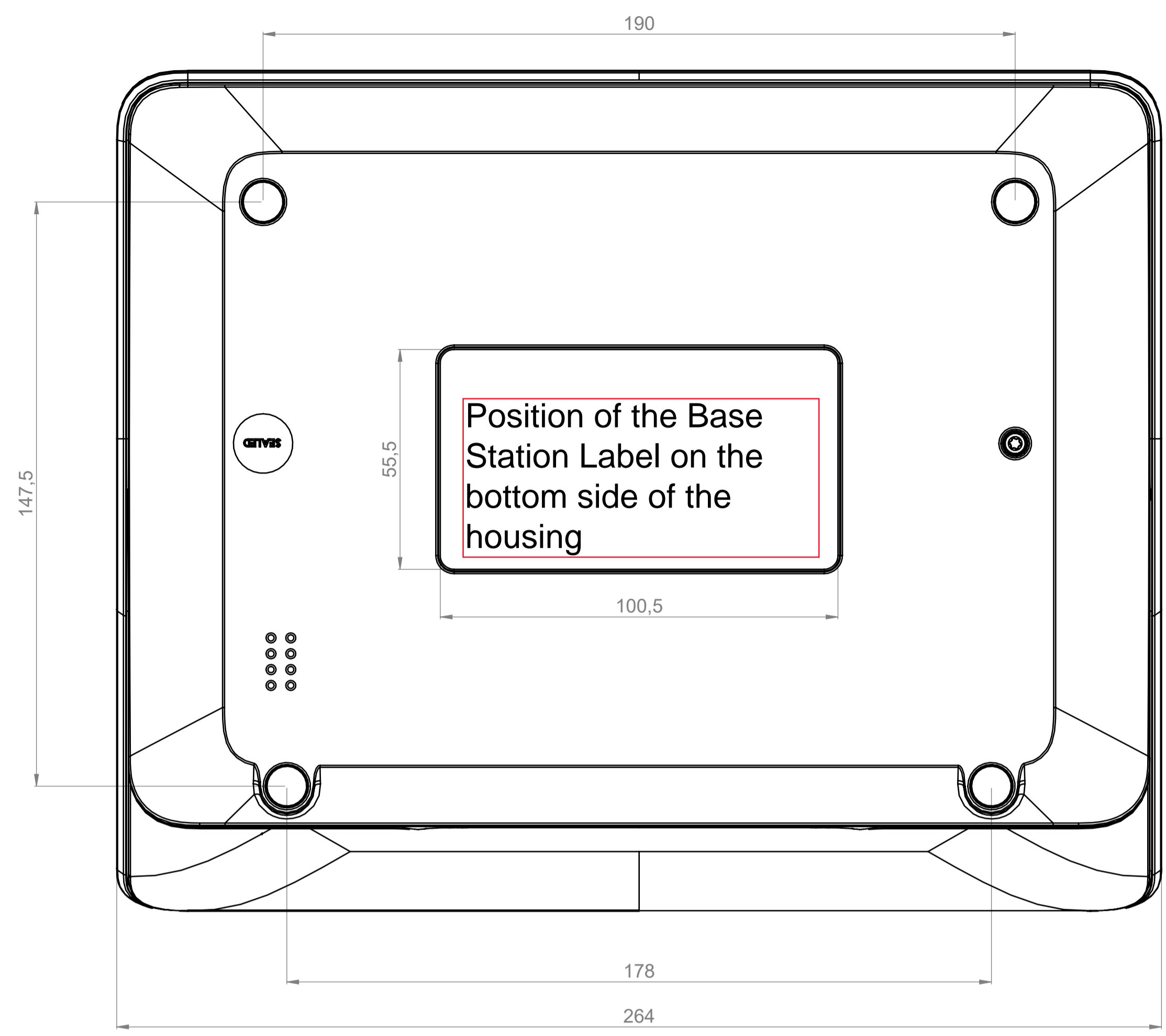
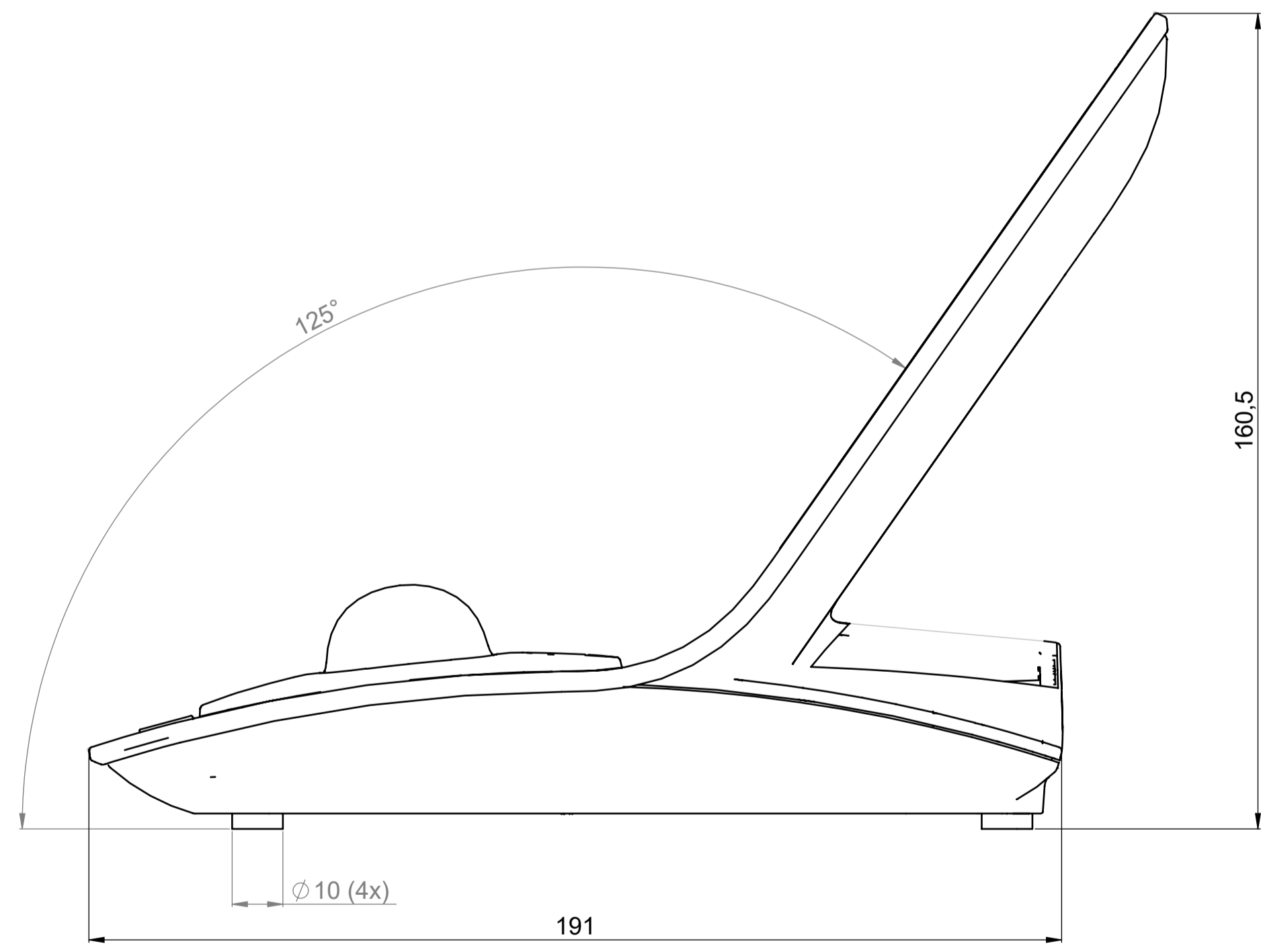
(14) Base Station Label placed on the bottom side of the housing

POS.NR.	MENGE	BENENNUNG	IDENTNUMMER	VERSION
1	1	Front part	22 977 10	4
2	1	Enclosure Rear Moulding	22 978 00	2
3	1	Enclosure Lower shielded	22 979 01	6
4	1	On-Off Button printed	22 981 00	4
5	1	Underlay	22 982 00	1
6	1	Silicone pushbutton	22 983 00	1
7	1	Display printed	22 985 10	1
8	1	Glue	22 986 00	2
9	4	Spacer	22 987 00	1
10	1	Weight	22 988 00	2
11	1	LP-Break-out-board EMV	22 989 20	5
12	1	LP-Power button best.	22 990 20	2
13	1	Z Speaker Holder cpl	23 052 00	1
14	1	Label	23 059 00	3
15	1	Holder	23 087 00	1
16	1	Vibration absorbing material	23 157 00	1
17	1	LP TX board cpl.	23 220 00	2
18	1	LP Connection best.	23 906 20	1
19	1	Distanzring	24 264 00	1
20	1	Siegeletkett	38 764 00	0
21	8	Sechskantmutter ISO 4032 M 3-VA	51 826 00	0
22	9	EJOT Delta PT Schraube 30 x 8-VA WN 5452	53 293 00	0
23	4	EJOT Delta PT 25 x 7 WN 5454	53 443 00	0
24	4	Elastikpuffer transparent Acrylatkleber	53 451 00	0
25	5	EJOT Delta PT Schraube 25 x 6-VA WN 5452	53 455 00	0
26	1	Raspberry Pi3	53 461 00	0
27	1	Delock Kabel High Speed HDMI	53 581 00	0
28	5	EJOT Delta PT Schraube 25 x 16-VA WN 5452	53 689 00	0
29	5	Metallhülse Messing	53 690 00	0
30	4	Kontaktfederstreifen	53 695 00	0
31	8	Schrauben-Sicherungsscheibe-M3	53 696 00	0
32	1	FFC cable 8-pin	59 000 10	0
33	1	FFC cable 4-pin	59 000 11	0

Zeichnungsstatus / drawing status		Zul.Abw. / Tolerances	Oberfläche / Finish	Maßstab / Scale	1:1 (1:2)	Format / paper-size	A1
Gültig / valid		Berndt 2.11.2020	--	Werkstoff / -- Material		Basestation PAM	
12	26 765	19.10.20	SS	Datum/Date	Name	Benennung / Description	
11	26 249	18.09.20	SS	27.09.16	Silgerner		
10	26 248	27.02.20	SS	20.10.20	Silgerner		
9	26 238	02.07.19	SS	20.10.20	Ziegler		
8	26 143, 26 162, 26 171	03.04.19	SS	19.10.20	Silgerner		
7	25 976, 25 979	21.12.18	SS				
6	25 773	14.08.18	SS				
5	25 691, 25 590, 25 592, 25 690	06.03.18	SS				
Rev.	Änderung/Change No.	Datum/Date	Name			Identnummer / Ident No. 23 000 00	

ISO 1016 - The reproduction, distribution and utilization of this document as well as the communication of its contents to others without express authorization is prohibited. Offenders will be held liable for the payment of damages. All rights reserved in the event of the grant of a patent, utility model or design.

ISO 1016 - The reproduction, distribution and utilization of this document as well as the communication of its contents to others without express authorization is prohibited. Offenders will be held liable for the payment of damages. All rights reserved in the event of the grant of a patent, utility model or design.



Zeichnungsstatus / drawing status		Zul./Abw. / Tolerances		Oberfläche / Finish		Maßstab / Scale		Format / paper-size	
Gültig / valid		--				1:1 (1:2)		A1	
Berndt 2.11.2020						Werkstoff / --			
						Material			
12	26 765	19.10.20	SS					Benennung / Description	
11	26 249	18.08.20	SS					Basestation PAM	
10	26 248	27.02.20	SS						
9	26 238	02.07.19	SS						
8	26 143, 26 162, 26 171	03.04.19	SS						
7	25 976, 25 979	21.12.18	SS						
6	25 773	14.08.18	SS						
5	25 681, 25 560, 25 592, 25 606	06.03.18	SS						
Rev.	Änderung/Change No.	Datum/Date	Name						
								Identnummer / Ident No. 23 000 00	
								Blatt/Sheet 2	
								2 / 2 Page / Page	