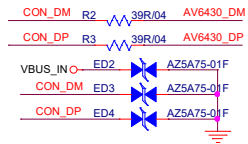
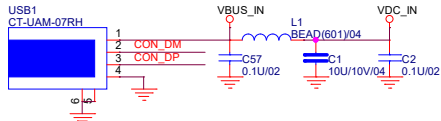
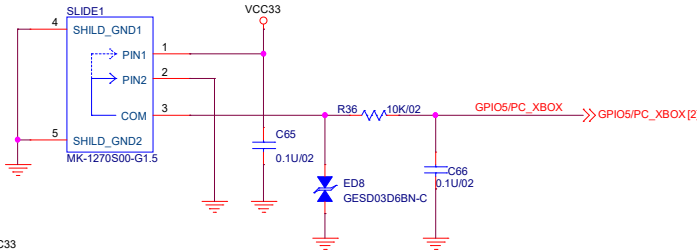
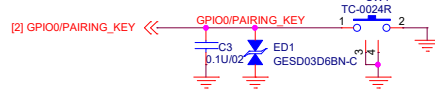


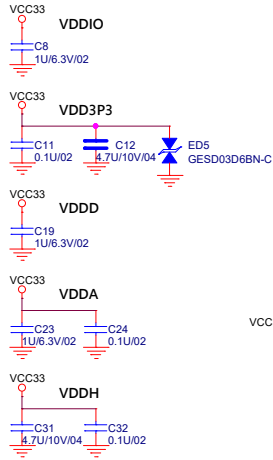
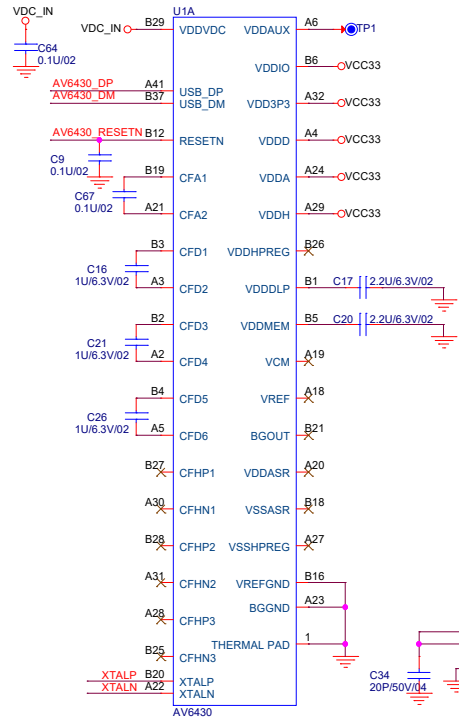
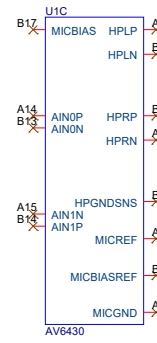
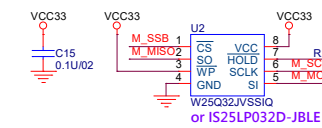
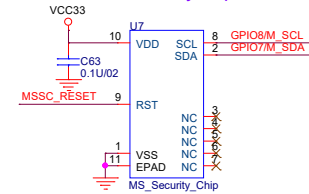
**USB TYPE-A**



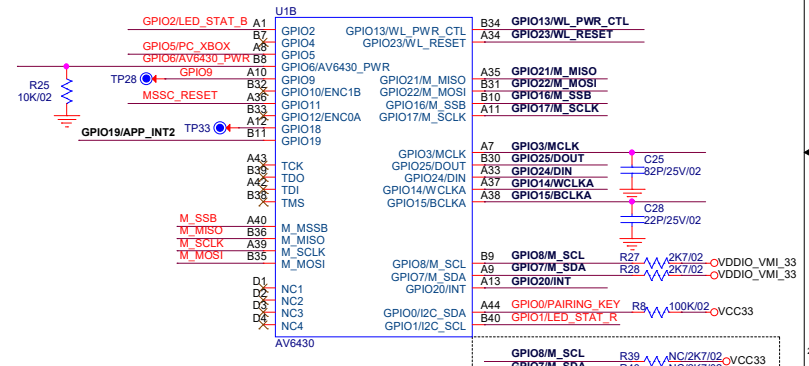
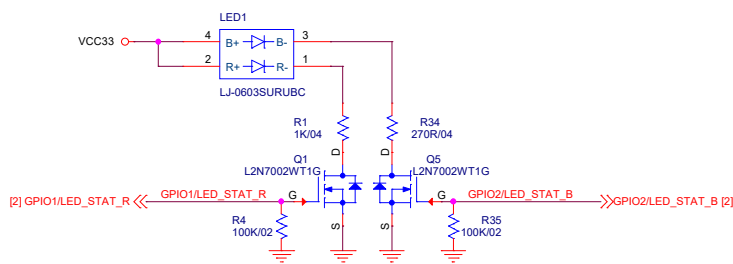
**PAIRING KEY**



**MS Security Chip**

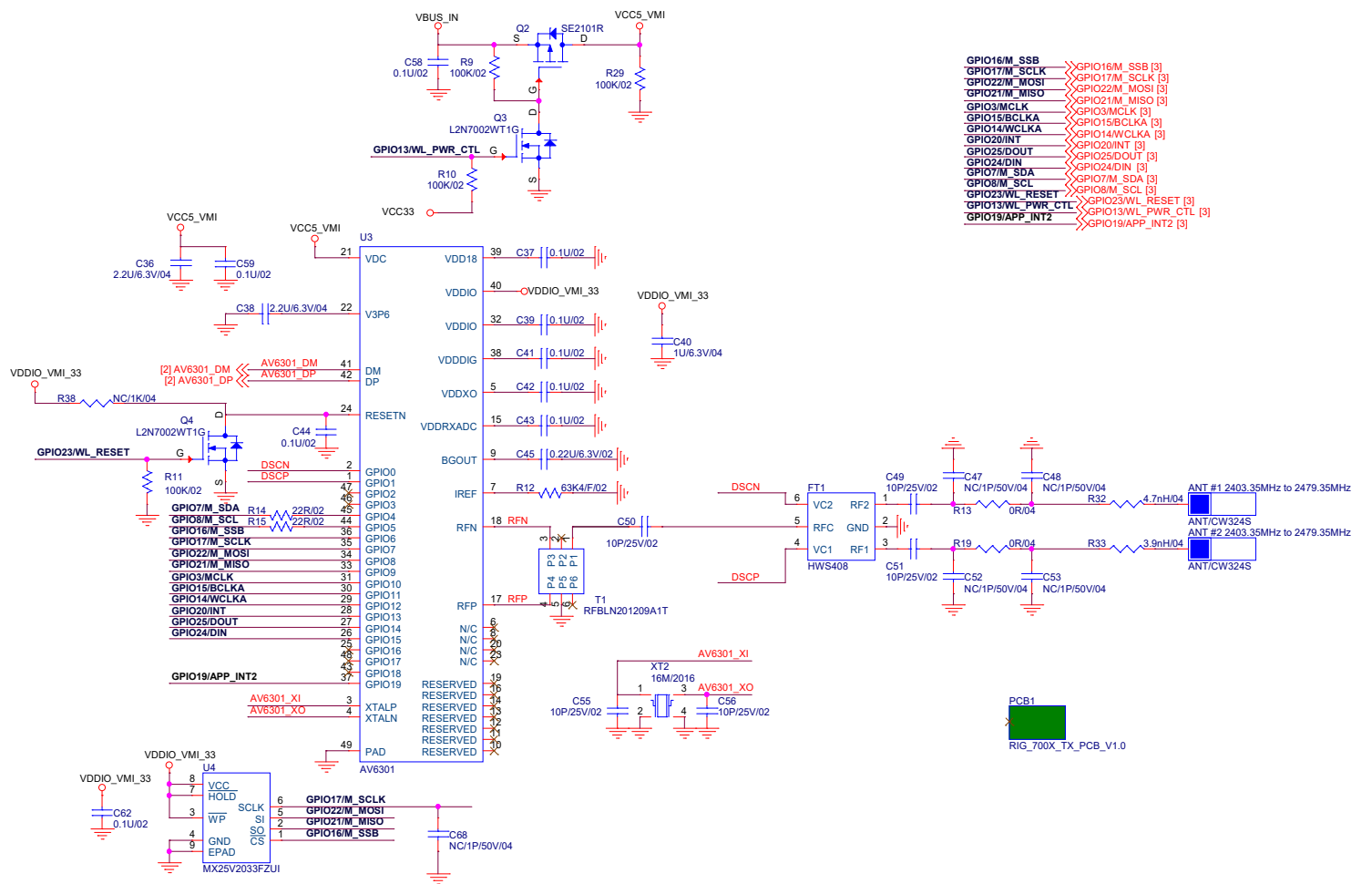


**LED INDICATOR**



GPIO16/M\_SSB >>> GPIO16/M\_SSB [4]  
 GPIO17/M\_SCLK >>> GPIO17/M\_SCLK [4]  
 GPIO22/M\_MOSI >>> GPIO22/M\_MOSI [4]  
 GPIO21/M\_MISO >>> GPIO21/M\_MISO [4]  
 GPIO3/MCLK >>> GPIO3/MCLK [4]  
 GPIO15/BCLKA >>> GPIO15/BCLKA [4]  
 GPIO14/WCLKA >>> GPIO14/WCLKA [4]  
 GPIO20/INT >>> GPIO20/INT [4]  
 GPIO25/DOUT >>> GPIO25/DOUT [4]  
 GPIO24/DIN >>> GPIO24/DIN [4]  
 GPIO8/M\_SDA >>> GPIO7/M\_SDA [4]  
 GPIO8/M\_SCL >>> GPIO8/M\_SCL [4]  
 GPIO13/WL\_PWR\_CTL >>> GPIO23/WL\_RESET [4]  
 GPIO19/APP\_INT2 >>> GPIO19/APP\_INT2 [4]

Approved by	Checked by	Designer	<OrgName>
Eddie	Carl	Boyce	AMPACCS CORPORATION
Project Number RIG_700X_TX			Size Custom
Date: Tuesday, May 25, 2021			Rev A



- GPIO16/M\_SSB >> GPIO16/M\_SSB [3]
- GPIO17/M\_SCLK >> GPIO17/M\_SCLK [3]
- GPIO22/M\_MOSI >> GPIO22/M\_MOSI [3]
- GPIO21/M\_MISO >> GPIO21/M\_MISO [3]
- GPIO3/MCLK >> GPIO3/MCLK [3]
- GPIO15/BCLKA >> GPIO15/BCLKA [3]
- GPIO14/WCLKA >> GPIO14/WCLKA [3]
- GPIO20/INT >> GPIO20/INT [3]
- GPIO25/DOUT >> GPIO25/DOUT [3]
- GPIO24/DIN >> GPIO24/DIN [3]
- GPIO7/M\_SDA >> GPIO7/M\_SDA [3]
- GPIO8/M\_SCL >> GPIO8/M\_SCL [3]
- GPIO23/WL\_RESET >> GPIO23/WL\_RESET [3]
- GPIO13/WL\_PWR\_CTL >> GPIO13/WL\_PWR\_CTL [3]
- GPIO19/APP\_INT2 >> GPIO19/APP\_INT2 [3]

Approved by	Checked by	Designer	<OrgName>	
Eddie	Carl	Boyce	Project Number	AMPACS CORPORATION
			RIG_700X_TX	
			Size	Rev
			Custom Title	
			AV6301	1.0
			Date: Monday, May 17, 2021	Sheet 4 of 4