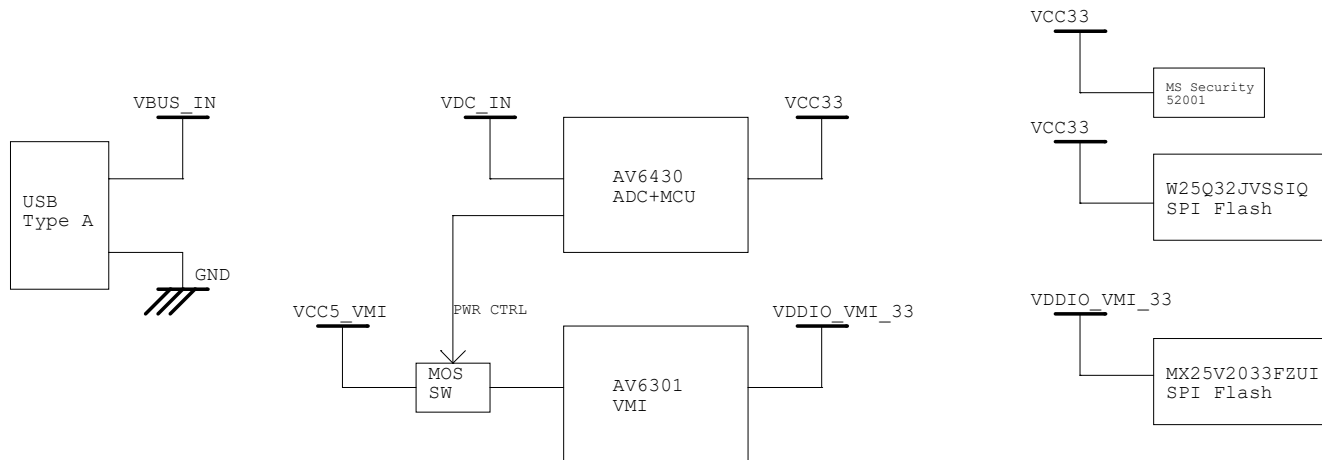


**System Block**



**Power Block**

Approved by	Checked by	Designer	<OrgName>	
Eddie	Carl	Boyce	Project Number	AMPACS CORPORATION
			RIG_700X_TX	
			Size	Rev
			Custom	A
			Title	
			BLOCK Diagram	1.0
			Date:	Monday, May 17, 2021
			Sheet	2 of 4