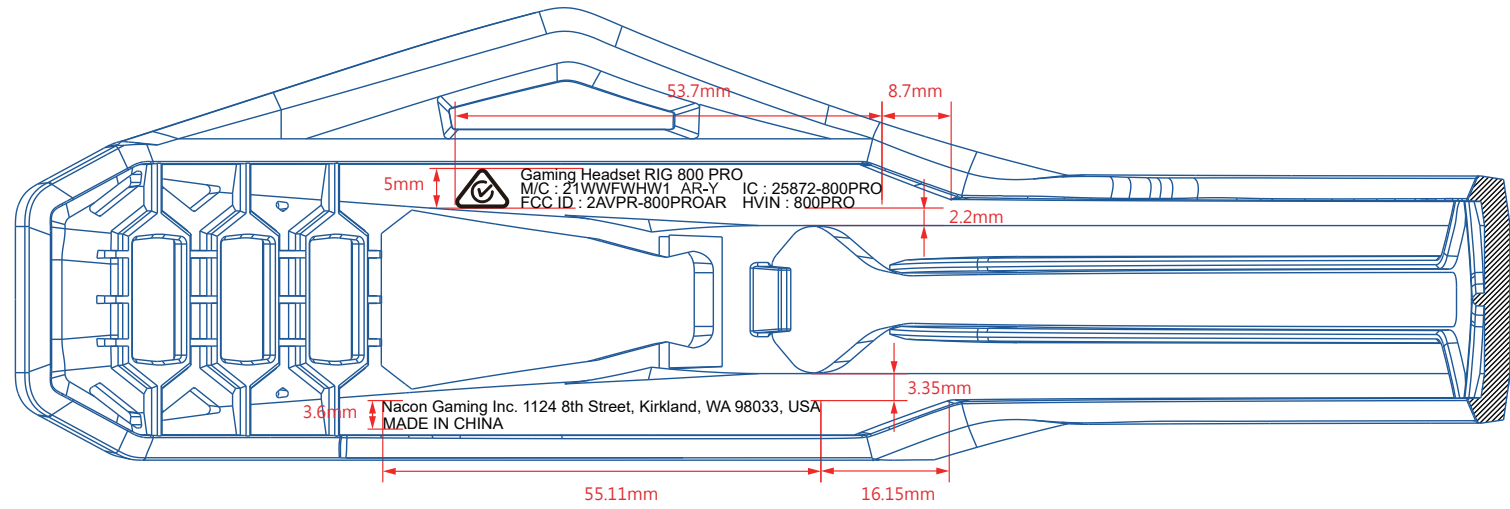
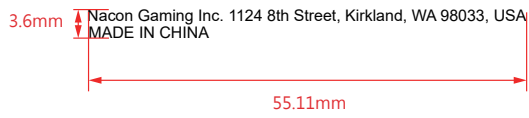
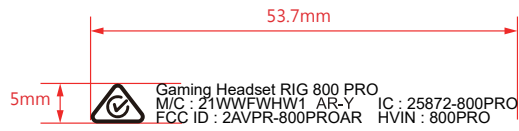


# Laser etching

Scale: 1:1



\*Manufacturing code will update according to actual MP

**Equipment Photographs**

**(Label Location)**

