

TEST REPORT

Report No.: 21070499HKG-001

Nacon (HK) Limited

Application For Certification
(Original Grant)

FCC ID: 2AVPR-800PRO

IC: 25872-800PRO

Transceiver

Prepared and Checked by:

Approved by:

Signed On File
Wong Cheuk Ho, Herbert
Lead Engineer

Wong Kwok Yeung, Kenneth
Assistant Supervisor
Date: September 27, 2021

Intertek's standard Terms and Conditions can be obtained at our website <http://www.intertek.com/terms/>.

The test report only allows to be revised within the retention period unless further standard or the requirement was noticed.

This report is for the exclusive use of Intertek's Client and is provided pursuant to the agreement between Intertek and its Client. Intertek's responsibility and liability are limited to the terms and conditions of the agreement. Intertek assumes no liability to any party, other than to the Client in accordance with the agreement, for any loss, expense or damage occasioned by the use of this report. Only the Client is authorized to permit copying or distribution of this report and then only in its entirety. Any use of the Intertek name or one of its marks for the sale or advertisement of the tested material, product or service must first be approved in writing by Intertek. The observations and test results in this report are relevant only to the sample tested. This report by itself does not imply that the material, product, or service is or has ever been under an Intertek certification program.

© 2017 Intertek

TEST REPORT

GENERAL INFORMATION

Grantee:	Nacon (HK) Limited
Grantee Address:	Unit 1505, 148 Electric Road North Point, Honh Kong.
Contact Person:	Johnny Wong
Tel:	25123111
Fax:	
e-mail:	
Manufacturer:	Nacon (HK) Limited
Manufacturer Address:	Unit 1505, 148 Electric Road North Point, Honh Kong.
Brand Name:	RIG
Model / HVIN:	800PRO
PMN:	RIG 800 PRO
Additional Model:	N/A
Type of EUT:	Transceiver
Description of EUT:	Gaming Headset
Serial Number:	21WWFWHW1
FCC ID / IC:	2AVPR-800PRO / 25872-800PRO
Date of Sample Submitted:	July 09, 2021
Date of Test:	July 09, 2021 to September 20, 2021
Report No.:	21070499HKG-001
Report Date:	September 27, 2021
Environmental Conditions:	Temperature: +10 to 40°C Humidity: 10 to 90%
Conclusion:	Test was conducted by client submitted sample. The submitted sample as received complied with the 47 CFR Part 15 / RSS-210 Issue 10 Certification.

TEST REPORT

SUMMARY OF TEST RESULT

Test Specification	Reference	Results
Transmitter Power Line Conducted Emissions	15.207 / RSS-Gen 8.8	Pass
Radiated Emission Radiated Emission on the Bandedge	15.249, 15.209 / RSS-210 B.10, RSS-210 4.4	Pass
Radiated Emission in Restricted Bands	15.205 / RSS-210 4.1	Pass

The equipment under test is found to be complying with the following standards:

- FCC Part 15, October 1, 2020 Edition
- RSS-210 Issue 10 Amendment 1, April 2020
- RSS-Gen Issue 5 Amendment 2, February 2021

Note: 1. The EUT uses a permanently attached antenna which, in accordance to section 15.203, is considered sufficient to comply with the pervisions of this section.
2. Pursuant to FCC part 15 Section 15.215(c), the 20 dB bandwidth of the emission was contained within the frequency band designated (mentioned as above) which the EUT operated. The effects, if any, from frequency sweeping, frequency hopping, other modulation techniques and frequency stability over excepted variations in temperature and supply voltage were considered.

TEST REPORT

TABLE OF CONTENTS

1.0 GENERAL DESCRIPTION 5

 1.1 Product Description5

 1.2 Related Submittal(s) Grants5

 1.3 Test Methodology.....5

 1.4 Test Facility5

2.0 SYSTEM TEST CONFIGURATION..... 6

 2.1 Justification.....6

 2.2 EUT Exercising Software.....6

 2.3 Special Accessories6

 2.4 Measurement Uncertainty.....6

 2.5 Support Equipment List and Description.....6

3.0 EMISSION RESULTS..... 7

 3.1 Field Strength Calculation7

 3.2 Radiated Emission Configuration Photograph.....8

 3.3 Radiated Emission Data8

 3.4 Conducted Emission Configuration Photograph8

 3.5 Conducted Emission Data8

4.0 EQUIPMENT PHOTOGRAPHS 20

5.0 PRODUCT LABELLING..... 20

6.0 TECHNICAL SPECIFICATIONS 20

7.0 INSTRUCTION MANUAL..... 20

8.0 MISCELLANEOUS INFORMATION 21

 8.1 Radiated Emission on the Bandedge.....21

 8.2 Discussion of Pulse Desensitization.....26

 8.3 Calculation of Average Factor26

 8.4 Emissions Test Procedures.....27

 8.5 Occupied Bandwidth.....31

9.0 CONFIDENTIALITY REQUEST 33

10.0 EQUIPMENT LIST 33

TEST REPORT

1.0 GENERAL DESCRIPTION

1.1 Product Description

The Equipment Under Test is a Gaming Headset of 2.4GHz Wireless Headphone with Dongle and Docking (Cradle). The EUT operates at frequency range of 2403.35MHz to 2479.35MHz. There are total 39 channels with 2MHz channel spacing. The USB port on the Headphone is for charging purpose only. The EUT is powered by 3.7V rechargeable battery. The EUT has two antenna.

This report contains data of headphone only.

Antenna Type: Internal, Integral

For electronic filing, the brief circuit description is saved with filename: descri.pdf.

1.2 Related Submittal(s) Grants

This is a single application for certification of a transceiver (headphone portion).

1.3 Test Methodology

Both AC mains line-conducted and radiated emission measurements were performed according to the procedures in ANSI C63.10 (2013). All radiated measurements were performed in an 3m Chamber. Preliminary scans were performed in the 3m Chamber only to determine worst case modes. All radiated tests were performed at an antenna to EUT distance of 3 meters, unless stated otherwise in the “**Justification Section**” of this Application.

1.4 Test Facility

The 3m Chamber and conducted measurement facility used to collect the radiated data is located at Workshop No. 3, G/F., World-Wide Industrial Centre, 43-47 Shan Mei Street, Fo Tan, Sha Tin, N.T., Hong Kong SAR, China. This test facility and site measurement data have been placed on file with the FCC and IC No. 2042H, CABID is “HKAP01”.

TEST REPORT

2.0 SYSTEM TEST CONFIGURATION

2.1 Justification

The system was configured for testing in a typical fashion (as a customer would normally use it), and in the confines as outlined in ANSI C63.10 (2013).

There are three powering methods for the headphone (EUT).

Case 1) Powered by Internal 3.7V rechargeable battery.

Case 2) Powered by Notebook USB port (5VDC).

Case 3) Powered by Notebook USB port (5VDC) with Docking (Cradle).

All powering methods were tested. For 2.4GHz portion, worst case data (Case 3) is shown only.

For maximizing emissions, the EUT was rotated through 360°, the antenna height was varied from 1 meter to 4 meters above the ground plane, and the antenna polarization was changed. This step by step procedure for maximizing emissions led to the data reported in Exhibit 3.0.

The rear of unit shall be flushed with the rear of the table.

The equipment under test (EUT) was configured for testing in a typical fashion (as a customer would normally use it). The EUT was mounted to a plastic stand if necessary and placed on the wooden turntable, which enabled the engineer to maximize emissions through its placement in the three orthogonal axes.

For simultaneous transmission, both antenna are also switched on when taking radiated emission for determining worst-case spurious emission.

2.2 EUT Exercising Software

The EUT exercise program (if any) used during radiated testing was designed to exercise the various system components in a manner similar to a typical use.

2.3 Special Accessories

There are no special accessories necessary for compliance of this product.

2.4 Measurement Uncertainty

Decision Rule for compliance: For FCC/IC standard, the measured value must be within the limits of applicable standard without accounting for the measurement uncertainty. For EN/IEC/HKTA/HKTC standard, conformity rules will be used as per standard directly excepted EN/IEC 61000-3-2, EN/IEC 61000-3-3, HKTA1004, HKCA1008, HKTA1019, HKTA1020, HKTA1041 and HKTA1044. For these excepted or not mentioned standards, Cl 4.2.2 of ILAC-G8:09/2019 decision rules will be reference and guard band will be equal to our measurement uncertainty with 95% confidence level (k=2). In case, the measured value is within guard band region, undetermined decision will be used.

2.5 Support Equipment List and Description

1. HP Notebook Computer (Adaptor Model: HSTNN-CA15)
2. 1 x LAN cable of 2m long
3. 1 x USB cable of 1m long
(Provided by Intertek)

TEST REPORT

3.0 EMISSION RESULTS

Data is included of the worst-case configuration (the configuration which resulted in the highest emission levels). A sample calculation, configuration photographs and data tables of the emissions are included.

3.1 Field Strength Calculation

The field strength is calculated by adding the Antenna Factor and Cable Factor, and subtracting the Amplifier Gain (if any), Average Factor (optional) from the measured reading. The basic equation with a sample calculation is as follows:

$$FS = RA + AF + CF - AG - AV$$

where FS = Field Strength in dB μ V/m

RA = Receiver Amplitude (including preamplifier) in dB μ V

CF = Cable Attenuation Factor in dB

AF = Antenna Factor in dB

AG = Amplifier Gain in dB

AV = Average Factor in dB

In the following table(s), the reading shown on the data table reflects the preamplifier gain. An example for the calculations in the following table is as follows:

$$FS = RR + LF$$

where FS = Field Strength in dB μ V/m

RR = RA - AG - AV in dB μ V

LF = CF + AF in dB

Assume a receiver reading of 52.0 dB μ V is obtained. The antenna factor of 7.4 dB and cable factor of 1.6 dB are added. The amplifier gain of 29 dB and average factor of 5 dB are subtracted, giving a field strength of 27 dB μ V/m. This value in dB μ V/m was converted to its corresponding level in μ V/m.

$$RA = 52.0 \text{ dB}\mu\text{V/m}$$

$$AF = 7.4 \text{ dB}$$

$$CF = 1.6 \text{ dB}$$

$$AG = 29.0 \text{ dB}$$

$$AV = 5.0 \text{ dB}$$

$$FS = RR + LF$$

$$FS = 18 + 9 = 27 \text{ dB}\mu\text{V/m}$$

$$RR = 18.0 \text{ dB}\mu\text{V}$$

$$LF = 9.0 \text{ dB}$$

$$\text{Level in } \mu\text{V/m} = \text{Common Antilogarithm } [(27 \text{ dB}\mu\text{V/m})/20] = 22.4 \mu\text{V/m}$$

TEST REPORT

3.2 Radiated Emission Configuration Photograph

The worst case in radiated emission was found at 259.162 MHz

For electronic filing, the worst-case radiated emission configuration photographs are saved with filename: radiated photos.pdf.

3.3 Radiated Emission Data

The data on the following page lists the significant emission frequencies, the limit and the margin of compliance. Numbers with a minus sign are below the limit.

Judgment: Passed by 6.0 dB

3.4 Conducted Emission Configuration Photograph

The worst case in line-conducted emission was found at 0.159 MHz

For electronic filing, the worst-case line-conducted configuration photographs are saved with filename: conducted photo.pdf.

3.5 Conducted Emission Data

For electronic filing, the graph and data table of conducted emission is saved with filename: conducted.pdf.

Judgment: Pass by 14.5 dB

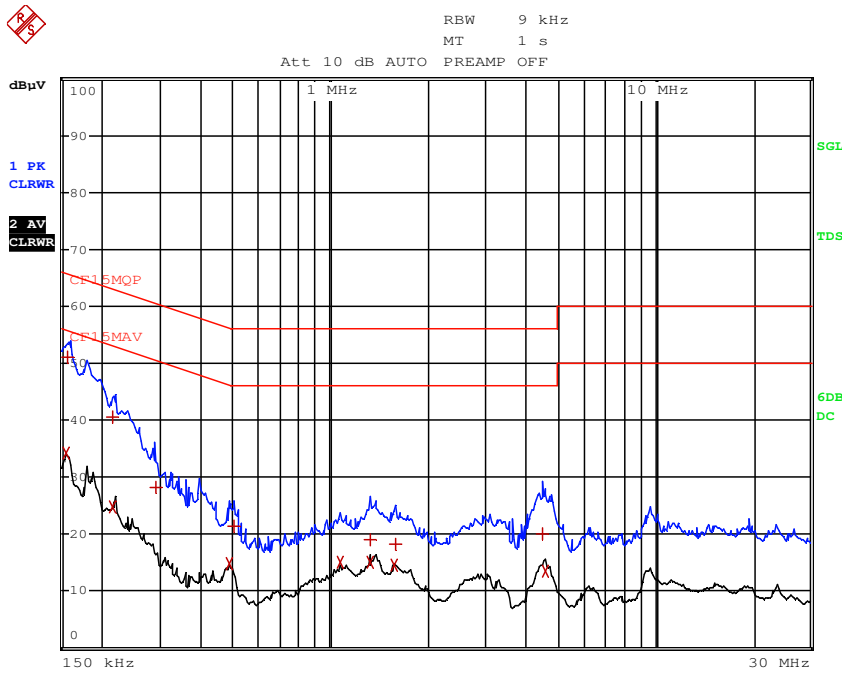
TEST REPORT

CONDUCTED EMISSION

Model: 800PRO

Date of Test: September 20, 2021

Worst-Case Operating Mode: Powered by Notebook USB Port + 2.4GHz Operating with Docking (Cradle)
(Both antenna Transmitting)



EDIT PEAK LIST (Final Measurement Results)				
TRACE	FREQUENCY	LEVEL dBµV	DELTA	LIMIT dB
Trace1:	CF15MQP			
Trace2:	CF15MAV			
Trace3:	---			
2	CISPR Average 154.5 kHz	34.18 L1	-21.57	
1	Quasi Peak 159 kHz	51.00 N	-14.50	
1	Quasi Peak 217.5 kHz	40.53 L1	-22.38	
2	CISPR Average 217.5 kHz	24.87 N	-28.04	
1	Quasi Peak 294 kHz	28.15 N	-32.26	
2	CISPR Average 487.5 kHz	14.80 L1	-31.40	
1	Quasi Peak 501 kHz	21.30 L1	-34.69	
2	CISPR Average 1.077 MHz	15.16 N	-30.83	
1	Quasi Peak 1.329 MHz	19.08 N	-36.91	
2	CISPR Average 1.329 MHz	15.21 N	-30.78	
2	CISPR Average 1.572 MHz	14.52 N	-31.47	
1	Quasi Peak 1.5945 MHz	18.18 N	-37.81	
1	Quasi Peak 4.5105 MHz	20.13 L1	-35.86	
2	CISPR Average 4.587 MHz	13.50 L1	-32.49	

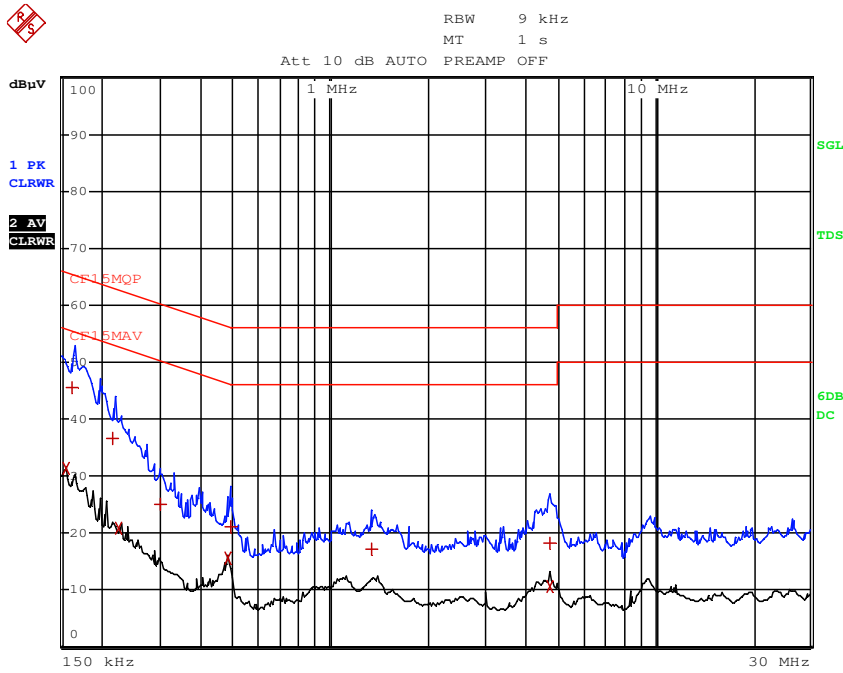
Note: Measurement Uncertainty is ±4.2dB at a level of confidence of 95%.

TEST REPORT

Model: 800PRO

Date of Test: September 20, 2021

Worst-Case Operating Mode: Powered by Notebook USB Port + 2.4GHz Operating
(Both antenna Transmitting)



EDIT PEAK LIST (Final Measurement Results)				
TRACE	FREQUENCY	LEVEL dBμV	DELTA	LIMIT dB
Trace1:	CF15MQP			
Trace2:	CF15MAV			
Trace3:	---			
2	CISPR Average 154.5 kHz	31.33 N		-24.42
1	Quasi Peak 163.5 kHz	45.47 L1		-19.81
1	Quasi Peak 217.5 kHz	36.58 L1		-26.32
2	CISPR Average 226.5 kHz	20.78 N		-31.79
1	Quasi Peak 298.5 kHz	25.16 L1		-35.12
2	CISPR Average 483 kHz	15.63 L1		-30.65
1	Quasi Peak 492 kHz	21.18 L1		-34.95
1	Quasi Peak 1.347 MHz	17.10 N		-38.90
1	Quasi Peak 4.7265 MHz	18.15 L1		-37.84
2	CISPR Average 4.731 MHz	10.54 N		-35.45

Note: Measurement Uncertainty is ±4.2dB at a level of confidence of 95%.

TEST REPORT

RADIATED EMISSIONS

Model: 800PRO

Date of Test: September 20, 2021

Worst-Case Operating Mode: Transmitting (Antenna 1)

Table 1
Pursuant to FCC Part 15 Section 15.249 / RSS-210 B10.0 Requirement

Lowest Channel

Polarization	Frequency (MHz)	Reading (dBμV)	Pre-Amp Gain (dB)	Antenna Factor (dB)	Net at 3m - Average (dBμV/m)	Average Limit at 3m (dBμV/m)	Margin (dB)
H	2403.350	78.8	33	29.4	75.2	94.0	-18.8
V	4806.700	29.7	33	34.9	31.6	54.0	-22.4
V	7210.050	27.3	33	37.9	32.2	54.0	-21.8
V	9613.400	24.6	33	40.4	32.0	54.0	-22.0
H	12016.750	23.8	33	40.5	31.3	54.0	-22.7
H	14420.100	24.5	33	40.0	31.5	54.0	-22.5

Polarization	Frequency (MHz)	Reading (dBμV)	Pre-Amp Gain (dB)	Antenna Factor (dB)	Net at 3m - Peak (dBμV/m)	Peak Limit at 3m (dBμV/m)	Margin (dB)
H	2403.350	103.4	33	29.4	99.8	114.0	-14.2
V	4806.700	38.3	33	34.9	40.2	74.0	-33.8
V	7210.050	35.6	33	37.9	40.5	74.0	-33.5
V	9613.400	32.7	33	40.4	40.1	74.0	-33.9
H	12016.750	32.0	33	40.5	39.5	74.0	-34.5
H	14420.100	32.4	33	40.0	39.4	74.0	-34.6

- NOTES:
1. Peak Detector Data unless otherwise stated.
 2. Average detector is applied according to ANSI C63.10.
 3. All measurements were made at 3 meters.
 4. Negative sign in the column shows value below limit.
 5. Horn antenna is used for the emission over 1000MHz.
 6. Emission within the restricted band meets the requirement of FCC Part 15 Section 15.205 / RSS-210 4.1.
 7. Measurement Uncertainty is ±5.3dB at a level of confidence of 95%.

TEST REPORT

Model: 800PRO

Date of Test: September 20, 2021

Worst-Case Operating Mode: Transmitting (Antenna 1)

Table 2
Pursuant to FCC Part 15 Section 15.249 / RSS-210 B10.0 Requirement

Middle Channel

Polarization	Frequency (MHz)	Reading (dBμV)	Pre-Amp Gain (dB)	Antenna Factor (dB)	Net at 3m - Average (dBμV/m)	Average Limit at 3m (dBμV/m)	Margin (dB)
H	2439.350	78.4	33	29.4	74.8	94.0	-19.2
V	4878.700	29.4	33	34.9	31.3	54.0	-22.7
V	7318.050	27.1	33	37.9	32.0	54.0	-22.0
V	9757.400	24.3	33	40.4	31.7	54.0	-22.3
H	12196.750	24.3	33	40.5	31.8	54.0	-22.2
H	14636.100	27.8	33	38.4	33.2	54.0	-20.8

Polarization	Frequency (MHz)	Reading (dBμV)	Pre-Amp Gain (dB)	Antenna Factor (dB)	Net at 3m - Peak (dBμV/m)	Peak Limit at 3m (dBμV/m)	Margin (dB)
H	2439.350	102.6	33	29.4	99.0	114.0	-15.0
V	4878.700	38.3	33	34.9	40.2	74.0	-33.8
V	7318.050	37.3	33	37.9	42.2	74.0	-31.8
V	9757.400	32.9	33	40.4	40.3	74.0	-33.7
H	12196.750	32.9	33	40.5	40.4	74.0	-33.6
H	14636.100	35.3	33	38.4	40.7	74.0	-33.3

- NOTES:
1. Peak Detector Data unless otherwise stated.
 2. Average detector is applied according to ANSI C63.10.
 3. All measurements were made at 3 meters.
 4. Negative sign in the column shows value below limit.
 5. Horn antenna is used for the emission over 1000MHz.
 6. Emission within the restricted band meets the requirement of FCC Part 15 Section 15.205 / RSS-210 4.1.
 7. Measurement Uncertainty is ±5.3dB at a level of confidence of 95%.

TEST REPORT

Model: 800PRO

Date of Test: September 20, 2021

Worst-Case Operating Mode: Transmitting (Antenna 1)

Table 3
Pursuant to FCC Part 15 Section 15.249 / RSS-210 B10.0 Requirement

Highest Channel

Polarization	Frequency (MHz)	Reading (dBμV)	Pre-Amp Gain (dB)	Antenna Factor (dB)	Net at 3m - Average (dBμV/m)	Average Limit at 3m (dBμV/m)	Margin (dB)
H	2479.350	78.1	33	29.4	74.5	94.0	-19.5
V	4958.700	36.3	33	34.9	38.2	54.0	-15.8
V	7438.050	26.0	33	37.9	30.9	54.0	-23.1
V	9917.400	23.2	33	40.4	30.6	54.0	-23.4
H	12396.750	23.9	33	40.5	31.4	54.0	-22.6
H	14876.100	26.2	33	38.4	31.6	54.0	-22.4

Polarization	Frequency (MHz)	Reading (dBμV)	Pre-Amp Gain (dB)	Antenna Factor (dB)	Net at 3m - Peak (dBμV/m)	Peak Limit at 3m (dBμV/m)	Margin (dB)
H	2479.350	102.1	33	29.4	98.5	114.0	-15.5
V	4958.700	43.3	33	34.9	45.2	74.0	-28.8
V	7438.050	35.3	33	37.9	40.2	74.0	-33.8
V	9917.400	33.4	33	40.4	40.8	74.0	-33.2
H	12396.750	32.8	33	40.5	40.3	74.0	-33.7
H	14876.100	34.7	33	38.4	40.1	74.0	-33.9

- NOTES:
1. Peak Detector Data unless otherwise stated.
 2. Average detector is applied according to ANSI C63.10.
 3. All measurements were made at 3 meters.
 4. Negative sign in the column shows value below limit.
 5. Horn antenna is used for the emission over 1000MHz.
 6. Emission within the restricted band meets the requirement of FCC Part 15 Section 15.205 / RSS-210 4.1.
 7. Measurement Uncertainty is ±5.3dB at a level of confidence of 95%.

TEST REPORT

Model: 800PRO

Date of Test: September 20, 2021

Worst-Case Operating Mode: Transmitting (Antenna 2)

Table 4
Pursuant to FCC Part 15 Section 15.249 / RSS-210 B10.0 Requirement

Lowest Channel

Polarization	Frequency (MHz)	Reading (dBμV)	Pre-Amp Gain (dB)	Antenna Factor (dB)	Net at 3m - Average (dBμV/m)	Average Limit at 3m (dBμV/m)	Margin (dB)
H	2403.350	78.4	33	29.4	74.8	94.0	-19.2
V	4806.700	28.7	33	34.9	30.6	54.0	-23.4
V	7210.050	25.3	33	37.9	30.2	54.0	-23.8
V	9613.400	22.8	33	40.4	30.2	54.0	-23.8
H	12016.750	22.9	33	40.5	30.4	54.0	-23.6
H	14420.100	23.3	33	40.0	30.3	54.0	-23.7

Polarization	Frequency (MHz)	Reading (dBμV)	Pre-Amp Gain (dB)	Antenna Factor (dB)	Net at 3m - Peak (dBμV/m)	Peak Limit at 3m (dBμV/m)	Margin (dB)
H	2403.350	102.8	33	29.4	99.2	114.0	-14.8
V	4806.700	36.5	33	34.9	38.4	74.0	-35.6
V	7210.050	33.9	33	37.9	38.8	74.0	-35.2
V	9613.400	31.1	33	40.4	38.5	74.0	-35.5
H	12016.750	30.7	33	40.5	38.2	74.0	-35.8
H	14420.100	31.6	33	40.0	38.6	74.0	-35.4

- NOTES:
1. Peak Detector Data unless otherwise stated.
 2. Average detector is applied according to ANSI C63.10.
 3. All measurements were made at 3 meters.
 4. Negative sign in the column shows value below limit.
 5. Horn antenna is used for the emission over 1000MHz.
 6. Emission within the restricted band meets the requirement of FCC Part 15 Section 15.205 / RSS-210 4.1.
 7. Measurement Uncertainty is ±5.3dB at a level of confidence of 95%.

TEST REPORT

Model: 800PRO

Date of Test: September 20, 2021

Worst-Case Operating Mode: Transmitting (Antenna 2)

Table 5
Pursuant to FCC Part 15 Section 15.249 / RSS-210 B10.0 Requirement

Middle Channel

Polarization	Frequency (MHz)	Reading (dBμV)	Pre-Amp Gain (dB)	Antenna Factor (dB)	Net at 3m - Average (dBμV/m)	Average Limit at 3m (dBμV/m)	Margin (dB)
H	2439.350	77.8	33	29.4	74.2	94.0	-19.8
V	4878.700	28.3	33	34.9	30.2	54.0	-23.8
V	7318.050	26.9	33	37.9	31.8	54.0	-22.2
V	9757.400	23.2	33	40.4	30.6	54.0	-23.4
H	12196.750	23.0	33	40.5	30.5	54.0	-23.5
H	14636.100	24.8	33	38.4	30.2	54.0	-23.8

Polarization	Frequency (MHz)	Reading (dBμV)	Pre-Amp Gain (dB)	Antenna Factor (dB)	Net at 3m - Peak (dBμV/m)	Peak Limit at 3m (dBμV/m)	Margin (dB)
H	2439.350	102.4	33	29.4	98.8	114.0	-15.2
V	4878.700	36.7	33	34.9	38.6	74.0	-35.4
V	7318.050	36.7	33	37.9	41.6	74.0	-32.4
V	9757.400	30.8	33	40.4	38.2	74.0	-35.8
H	12196.750	30.9	33	40.5	38.4	74.0	-35.6
H	14636.100	33.0	33	38.4	38.4	74.0	-35.6

- NOTES:
1. Peak Detector Data unless otherwise stated.
 2. Average detector is applied according to ANSI C63.10.
 3. All measurements were made at 3 meters.
 4. Negative sign in the column shows value below limit.
 5. Horn antenna is used for the emission over 1000MHz.
 6. Emission within the restricted band meets the requirement of FCC Part 15 Section 15.205 / RSS-210 4.1.
 7. Measurement Uncertainty is ±5.3dB at a level of confidence of 95%.

TEST REPORT

Model: 800PRO

Date of Test: September 20, 2021

Worst-Case Operating Mode: Transmitting (Antenna 2)

Table 6
Pursuant to FCC Part 15 Section 15.249 / RSS-210 B10.0 Requirement

Highest Channel

Polarization	Frequency (MHz)	Reading (dBμV)	Pre-Amp Gain (dB)	Antenna Factor (dB)	Net at 3m - Average (dBμV/m)	Average Limit at 3m (dBμV/m)	Margin (dB)
H	2479.350	77.4	33	29.4	73.8	94.0	-20.2
V	4958.700	35.5	33	34.9	37.4	54.0	-16.6
V	7438.050	25.3	33	37.9	30.2	54.0	-23.8
V	9917.400	23.1	33	40.4	30.5	54.0	-23.5
H	12396.750	22.9	33	40.5	30.4	54.0	-23.6
H	14876.100	24.8	33	38.4	30.2	54.0	-23.8

Polarization	Frequency (MHz)	Reading (dBμV)	Pre-Amp Gain (dB)	Antenna Factor (dB)	Net at 3m - Peak (dBμV/m)	Peak Limit at 3m (dBμV/m)	Margin (dB)
H	2479.350	102.0	33	29.4	98.4	114.0	-15.6
V	4958.700	42.6	33	34.9	44.5	74.0	-29.5
V	7438.050	33.5	33	37.9	38.4	74.0	-35.6
V	9917.400	31.4	33	40.4	38.8	74.0	-35.2
H	12396.750	30.7	33	40.5	38.2	74.0	-35.8
H	14876.100	33.1	33	38.4	38.5	74.0	-35.5

- NOTES:
1. Peak Detector Data unless otherwise stated.
 2. Average detector is applied according to ANSI C63.10.
 3. All measurements were made at 3 meters.
 4. Negative sign in the column shows value below limit.
 5. Horn antenna is used for the emission over 1000MHz.
 6. Emission within the restricted band meets the requirement of FCC Part 15 Section 15.205 / RSS-210 4.1.
 7. Measurement Uncertainty is ±5.3dB at a level of confidence of 95%.

TEST REPORT

Model: 800PRO

Date of Test: September 20, 2021

Worst-Case Operating Mode: Powered by Internal 3.7V rechargeable battery + 2.4GHz Operating
(Both antenna Transmitting)

Table 7
Pursuant to FCC Part 15 Section 15.209 / RSS-210 4.4 Requirement

Polarization	Frequency (MHz)	Reading (dBμV)	Pre-amp (dB)	Antenna Factor (dB)	Net at 3m (dBμV/m)	Limit at 3m (dBμV/m)	Margin (dB)
V	63.845	33.8	16	9.0	26.8	40.0	-13.2
V	133.204	30.4	16	14.0	28.4	43.5	-15.1
H	211.928	30.4	16	17.0	31.4	43.5	-12.1
H	268.468	30.4	16	22.0	36.4	46.0	-9.6
H	289.224	30.8	16	22.0	36.8	46.0	-9.2
H	320.214	29.2	16	23.0	36.2	46.0	-9.8
H	336.425	27.5	16	24.0	35.5	46.0	-10.5

- NOTES:
1. Quasi-Peak Detector Data unless otherwise stated.
 2. All measurements were made at 3 meters.
 3. Negative sign in the column shows value below limit.
 4. Horn antenna is used for the emission over 1000MHz.
 5. Emission within the restricted band meets the requirement of FCC Part 15 Section 15.205 / RSS-210 4.1.
 6. Measurement Uncertainty is ±5.3dB at a level of confidence of 95%.

TEST REPORT

Model: 800PRO

Date of Test: September 20, 2021

Worst-Case Operating Mode: Powered by Notebook USB Port + 2.4GHz Operating
(Both antenna Transmitting)

Table 8
Pursuant to FCC Part 15 Section 15.209 / RSS-210 4.4 Requirement

Polarization	Frequency (MHz)	Reading (dBμV)	Pre-amp (dB)	Antenna Factor (dB)	Net at 3m (dBμV/m)	Limit at 3m (dBμV/m)	Margin (dB)
V	62.008	33.2	16	10.0	27.2	40.0	-12.8
V	132.214	31.6	16	14.0	29.6	43.5	-13.9
H	201.568	32.5	16	16.0	32.5	43.5	-11.0
H	272.258	32.2	16	22.0	38.2	46.0	-7.8
H	283.048	32.8	16	22.0	38.8	46.0	-7.2
H	320.032	29.0	16	23.0	36.0	46.0	-10.0
H	335.552	27.6	16	24.0	35.6	46.0	-10.4

- NOTES:
1. Quasi-Peak Detector Data unless otherwise stated.
 2. All measurements were made at 3 meters.
 3. Negative sign in the column shows value below limit.
 4. Horn antenna is used for the emission over 1000MHz.
 5. Emission within the restricted band meets the requirement of FCC Part 15 Section 15.205 / RSS-210 4.1.
 6. Measurement Uncertainty is ±5.3dB at a level of confidence of 95%.

TEST REPORT

Model: 800PRO

Date of Test: September 20, 2021

Worst-Case Operating Mode: Powered by Notebook USB Port + 2.4GHz Operating with Docking (Cradle)
(Both antenna Transmitting)

Table 9
Pursuant to FCC Part 15 Section 15.209 / RSS-210 4.4 Requirement

Polarization	Frequency (MHz)	Reading (dBμV)	Pre-amp (dB)	Antenna Factor (dB)	Net at 3m (dBμV/m)	Limit at 3m (dBμV/m)	Margin (dB)
H	57.038	33.2	16	11.0	28.2	40.0	-11.8
V	100.325	30.8	16	12.0	26.8	43.5	-16.7
V	118.998	29.6	16	14.0	27.6	43.5	-15.9
V	192.838	33.5	16	16.0	33.5	43.5	-10.0
V	259.162	35.0	16	21.0	40.0	46.0	-6.0
H	305.358	23.4	16	23.0	30.4	46.0	-15.6

- NOTES:
1. Quasi-Peak Detector Data unless otherwise stated.
 2. All measurements were made at 3 meters.
 3. Negative sign in the column shows value below limit.
 4. Horn antenna is used for the emission over 1000MHz.
 5. Emission within the restricted band meets the requirement of FCC Part 15 Section 15.205 / RSS-210 4.1.
 6. Measurement Uncertainty is ±5.3dB at a level of confidence of 95%.

TEST REPORT

4.0 EQUIPMENT PHOTOGRAPHS

For electronic filing, the photographs are saved with filename: external photos.pdf and internal photos.pdf.

5.0 PRODUCT LABELLING

For electronics filing, the FCC ID label artwork and the label location are saved with filename: label.pdf.

6.0 TECHNICAL SPECIFICATIONS

For electronic filing, the block diagram and schematic of the tested EUT are saved with filename: block.pdf and circuit.pdf respectively.

7.0 INSTRUCTION MANUAL

For electronic filing, a preliminary copy of the Instruction Manual is saved with filename: manual.pdf.

This manual will be provided to the end-user with each unit sold/leased in the United States and Canada.

TEST REPORT

8.0 MISCELLANEOUS INFORMATION

The miscellaneous information includes details of the test procedure and measured bandwidth / calculation of factor such as pulse desensitization and averaging factor (calculation and timing diagram).

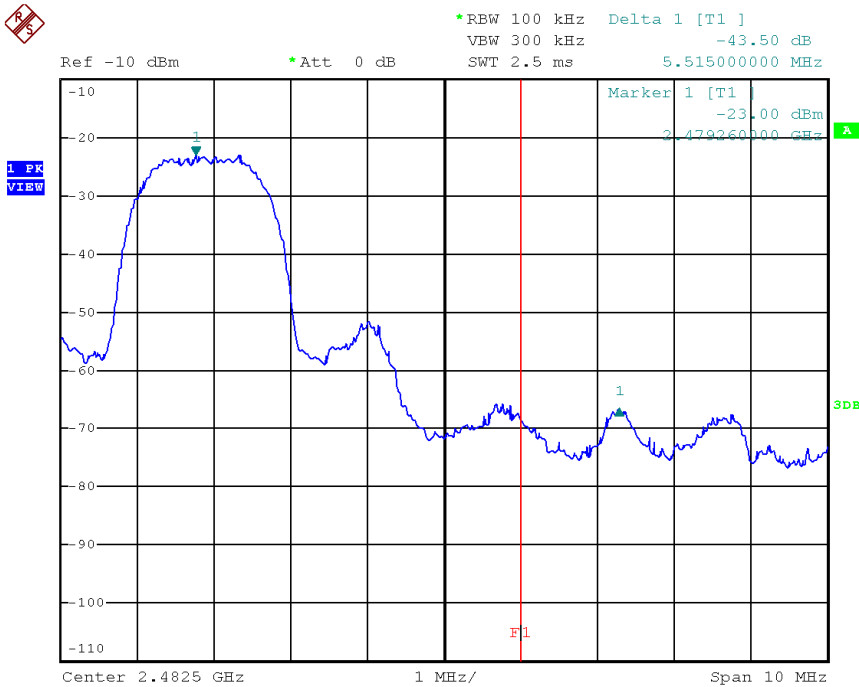
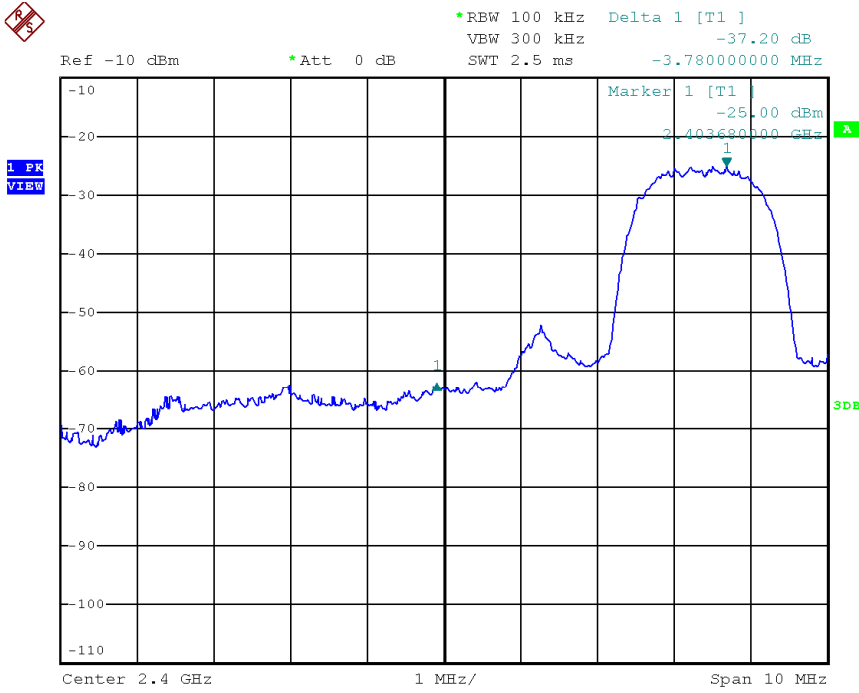
8.1 Radiated Emission on the Bandedge

From the following plots, they show that the fundamental emissions are confined in the specified band (2400MHz to 2483.5MHz). In case of the fundamental emissions are within two standard bandwidths from the bandedge, the delta measurement technique is used for determining bandedge compliance. Standard bandwidth is the bandwidth specified by ANSI C63.10 (2013) for frequency being measured.

Emissions radiated outside of the specified frequency bands, except harmonics, are attenuated by 50dB below the level of the fundamental or to the general radiated emissions limits in Section 15.209 / RSS-210 4.4, whichever is the lesser attenuation, which meet the requirement of part 15.249(d) / RSS-210 B.10.

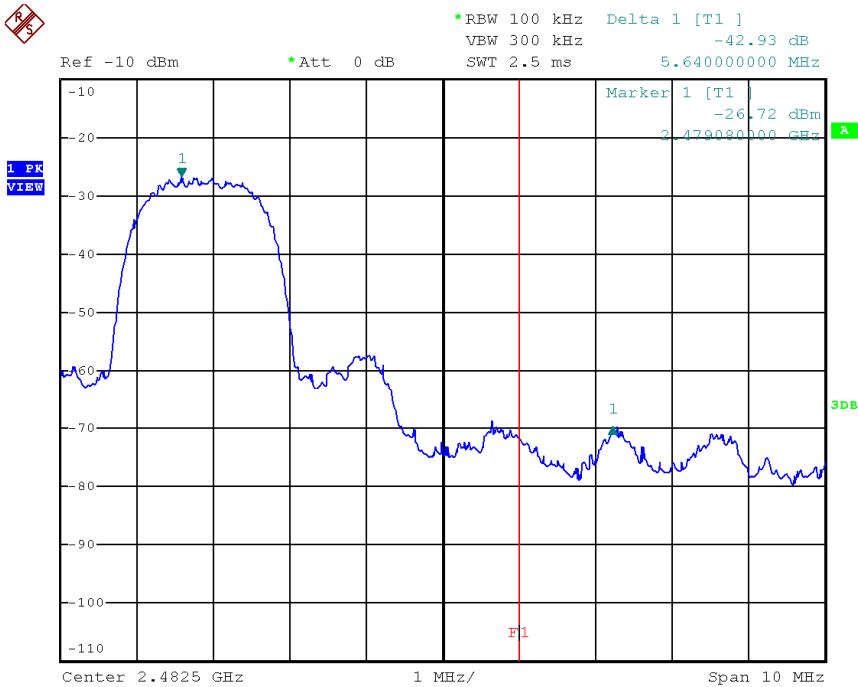
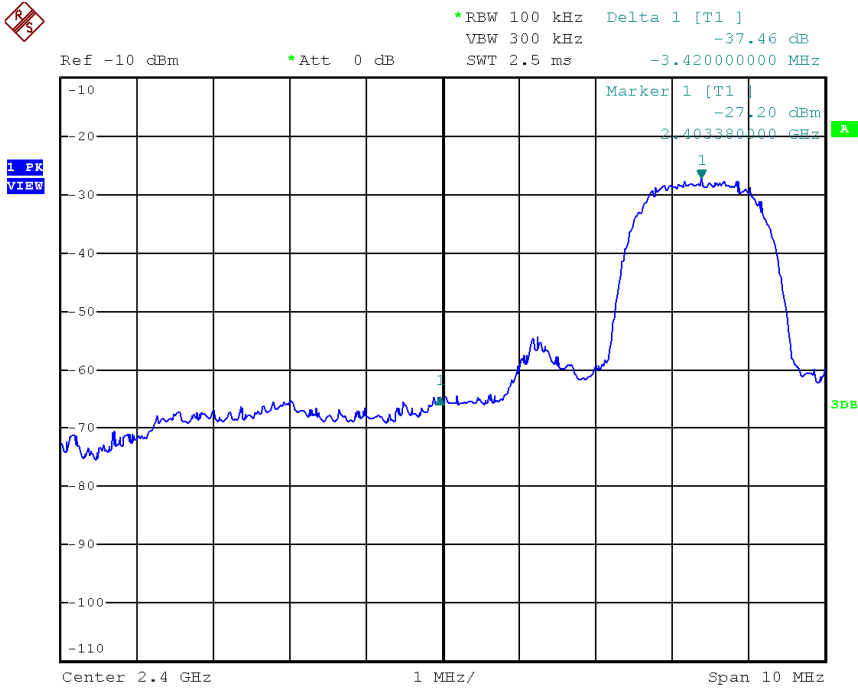
TEST REPORT

PEAK MEASUREMENT (2.4GHz) (Antenna 1)



TEST REPORT

PEAK MEASUREMENT (2.4GHz) (Antenna 2)



TEST REPORT

PEAK MEASUREMENT (2.4GHz) (Antenna 1)

Bandedge compliance is determined by applying marker-delta method, i.e. (Bandedge Plot).

Lower bandedge

Peak Resultant field strength = Fundamental emissions (peak value) – delta from the plot

=99.8 dB μ V/m – 37.2 dB

=62.6 dB μ V/m

Average Resultant field strength = Fundamental emissions (average value) – delta from the plot

=75.2 dB μ V/m – 37.2 dB

=38.0 dB μ V/m

Upper bandedge

Peak Resultant field strength = Fundamental emissions (peak value) – delta from the plot

=98.5 dB μ V/m – 43.5 dB

=55.0 dB μ V/m

Average Resultant field strength = Fundamental emissions (average value) – delta from the plot

=74.5 dB μ V/m – 43.5 dB

=31.0 dB μ V/m

The resultant field strength meets the general radiated emission limit in Section 15.209 / RSS-210 4.4, which does not exceed 74 dB μ V/m (Peak Limit) and 54 dB μ V/m (Average Limit).

TEST REPORT

PEAK MEASUREMENT (2.4GHz) (Antenna 2)

Bandedge compliance is determined by applying marker-delta method, i.e. (Bandedge Plot).

Lower bandedge

Peak Resultant field strength = Fundamental emissions (peak value) – delta from the plot

=99.2 dB μ V/m – 37.5 dB

=61.7 dB μ V/m

Average Resultant field strength = Fundamental emissions (average value) – delta from the plot

=74.8 dB μ V/m – 37.5 dB

=37.3 dB μ V/m

Upper bandedge

Peak Resultant field strength = Fundamental emissions (peak value) – delta from the plot

=98.4 dB μ V/m – 42.9 dB

=55.5 dB μ V/m

Average Resultant field strength = Fundamental emissions (average value) – delta from the plot

=73.8 dB μ V/m – 42.9 dB

=30.9 dB μ V/m

The resultant field strength meets the general radiated emission limit in Section 15.209 / RSS-210 4.4, which does not exceed 74 dB μ V/m (Peak Limit) and 54 dB μ V/m (Average Limit).

TEST REPORT

8.2 Discussion of Pulse Desensitization

N/A

8.3 Calculation of Average Factor

N/A

TEST REPORT

8.4 Emissions Test Procedures

The following is a description of the test procedure used by Intertek Testing Services Hong Kong Ltd. in the measurements of transmitter operating under the Part 15, Subpart C rules.

The transmitting equipment under test (EUT) is placed on a wooden turntable which is four feet in diameter and approximately 0.8m in height above the ground plane for emission measurement at or below 1GHz and 1.5m in height above the ground plane for emission measurement above 1GHz. During the radiated emissions test, the turntable is rotated and any cables leaving the EUT are manipulated to find the configuration resulting in maximum emissions. The EUT is adjusted through all three orthogonal axis to obtain maximum emission levels. The antenna height and polarization are also varied during the testing to search for maximum signal levels. The height of the antenna is varied from one to four meters.

Detector function for radiated emissions is in peak mode. Average readings, when required, are taken by measuring the duty cycle of the equipment under test and subtracting the corresponding amount in dB from the measured peak readings. A detailed description for the calculation of the average factor can be found in Exhibit 8.3.

The frequency range scanned is from the lowest radio frequency signal generated in the device which is greater than 9 kHz to the tenth harmonic of the highest fundamental frequency or 40 GHz, whichever is lower. For line conducted emissions, the range scanned is 150 kHz to 30 MHz.

TEST REPORT

8.4 Emissions Test Procedures (cont'd)

The EUT is warmed up for 15 minutes prior to the test.

AC power to the unit is varied from 85% to 115% nominal and variation in the fundamental emission field strength is recorded. If battery powered, a new, fully charged battery is used.

Conducted measurements were made as described in ANSI C63.10 (2013).

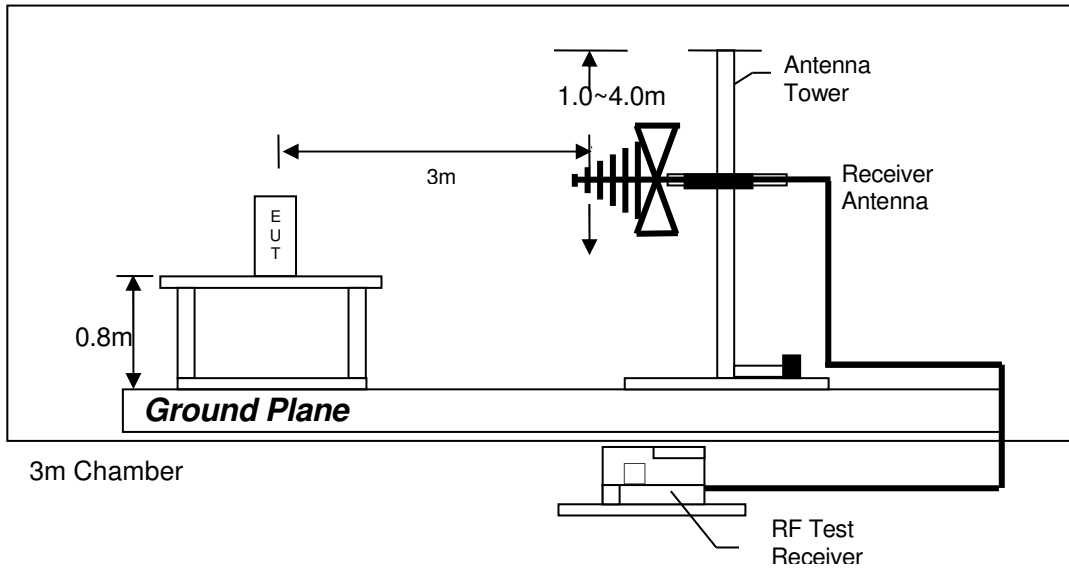
The IF bandwidth used for measurement of radiated signal strength was 100 kHz or greater when frequency is below 1000 MHz. Where pulsed transmissions of short enough pulse duration warrant, a greater bandwidth is selected according to the recommendations of Hewlett Packard Application Note 150-2. A discussion of whether pulse desensitivity is applicable to this unit is included in this report (See Exhibit 8.1). Above 1000 MHz, a resolution bandwidth of 3 MHz is used.

Transmitter measurements are normally conducted at a measurement distance of three meters. However, to assure low enough noise floor in the forbidden bands and above 1 GHz, signals are acquired at a distance of one meter or less. All measurements are extrapolated to three meters using inverse scaling, unless otherwise reported. Measurements taken at a closer distance are so marked.

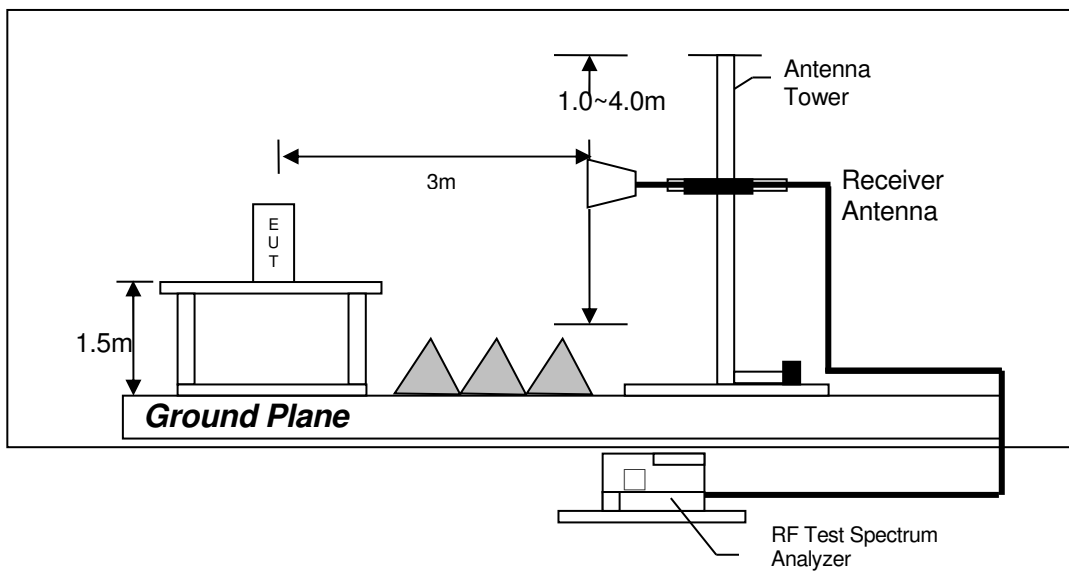
TEST REPORT

8.4.1 Radiated Emission Test Setup

The figure below shows the test setup, which is utilized to make these measurements.



Test setup of radiated emissions up to 1GHz



Test setup of radiated emissions above 1GHz

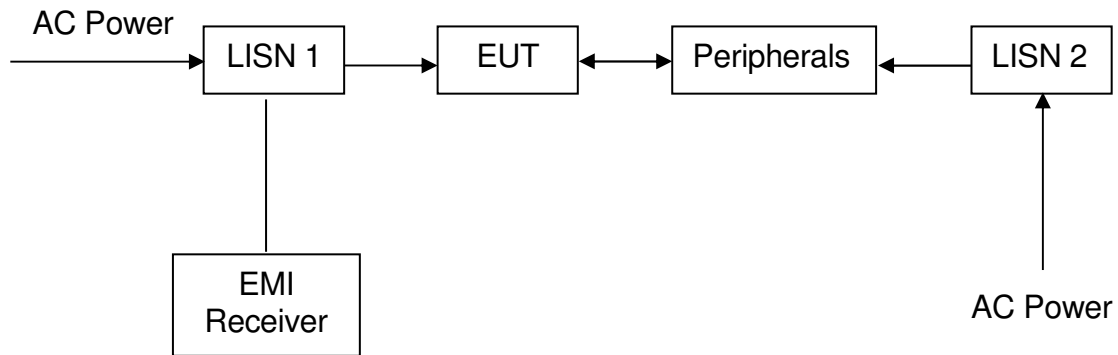
TEST REPORT

8.4.2 Conducted Emission Test Procedures

For tabletop equipment, the EUT along with its peripherals were placed on a 1.0m(W)×1.5m(L) and 0.8m in height wooden table. For floor-standing equipment, the EUT and all cables were insulated, if required, from the ground plane by up to 12 mm of insulating material. The EUT was adjusted to maintain a 0.4 meter space from a vertical reference plane. The EUT was connected to power mains through a line impedance stabilization network (LISN), which provided 50 ohm coupling impedance for measuring instrument and the chassis ground was bounded to the horizontal ground plane of shielded room. The excess power cable between the EUT and the LISN was bundled.

All connecting cables of EUT and peripherals were moved to find the maximum emission.

8.4.3 Conducted Emission Test Setup



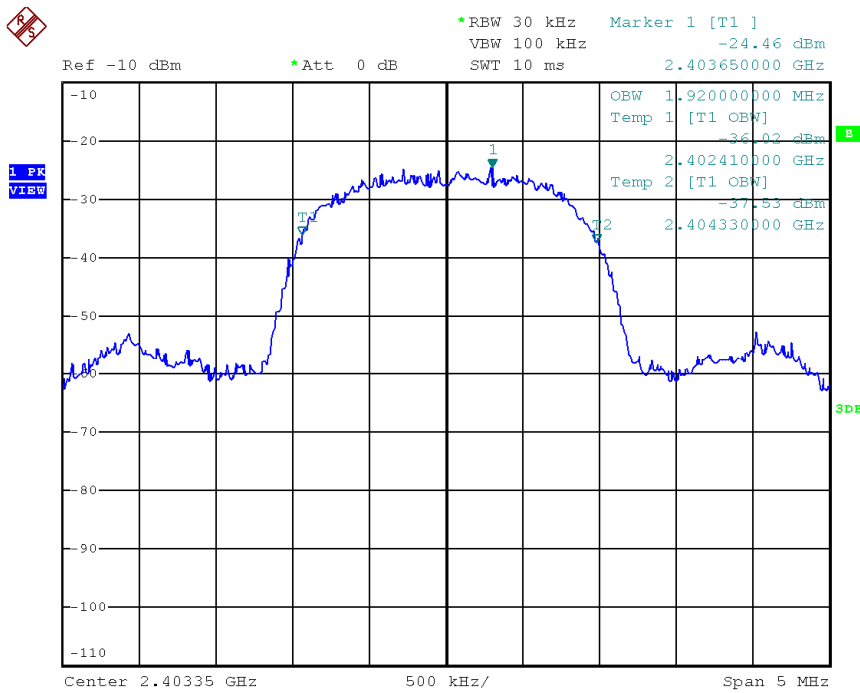
TEST REPORT

8.5 Occupied Bandwidth

Occupied Bandwidth Results: (Antenna 1)

Frequency (MHz)	Occupied Bandwidth (MHz)
Low Channel: 2403.35	1.920
Middle Channel: 2439.35	1.920
High Channel: 2479.35	1.920

The worst case is shown as below

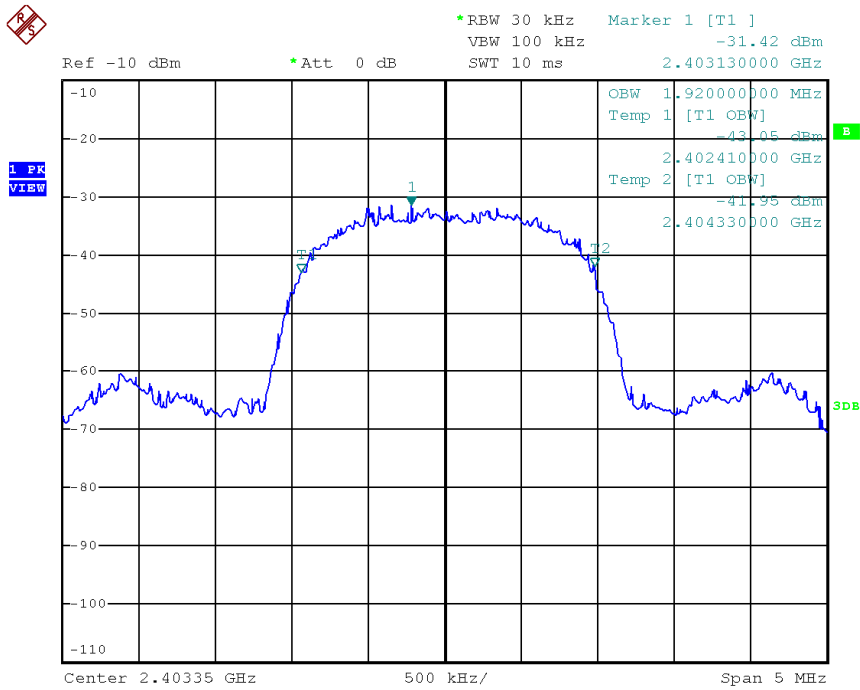


TEST REPORT

Occupied Bandwidth Results: (Antenna 2)

Frequency (MHz)	Occupied Bandwidth (MHz)
Low Channel: 2403.35	1.920
Middle Channel: 2439.35	1.920
High Channel: 2479.35	1.920

The worst case is shown as below



TEST REPORT

9.0 CONFIDENTIALITY REQUEST

For electronic filing, a preliminary copy of the confidentiality request is saved with filename: request.pdf.

10.0 EQUIPMENT LIST

1) Radiated Emissions Test

Equipment	EMI Test Receiver (9kHz to 26.5GHz)	Spectrum Analyzer	Biconical Antenna (20MHz to 200MHz)
Registration No.	EW-3156	EW-2466	EW-2512
Manufacturer	ROHDESCHWARZ	ROHDESCHWARZ	EMCO
Model No.	ESR26	FSP30	3104C
Calibration Date	January 25, 2021	September 05, 2020	June 03, 2020
Calibration Due Date	January 25, 2022	December 05, 2021	December 03, 2021

Equipment	Log Periodic Antenna	Double Ridged Guide Antenna	RF Cable 14m (1GHz to 26.5GHz)
Registration No.	EW-0447	EW-1133	EW-2781
Manufacturer	EMCO	EMCO	GREATBILLION
Model No.	3146	3115	SMA m/SHF5MPU /SMA m ra14m,26G
Calibration Date	June 30, 2021	June 03, 2021	November 24, 2020
Calibration Due Date	December 30, 2021	June 03, 2022	November 24, 2021

Equipment	RF Preamplifier (9kHz to 6000MHz)	2.4GHz Notch Filter	14m Double Shield RF Cable (20MHz to 6GHz)
Registration No.	EW-3006b	EW-3435	EW-2074
Manufacturer	SCHWARZBECK	MICROWAVE	RADIALL
Model No.	BBV9718	N0324413	N(m)-RG142-BNC(m) L=14M
Calibration Date	November 25, 2019	November 16, 2019	August 29, 2020
Calibration Due Date	December 25, 2021	December 16, 2021	November 29, 2021

Equipment	Active Loop H-field (9kHz to 30MHz)	Pyramidal Horn Antenna
Registration No.	EW-2313	EW-0905
Manufacturer	ELECTROMETRI	EMCO
Model No.	EM-6876	3160-09
Calibration Date	December 17, 2019	July 20, 2021
Calibration Due Date	December 17, 2021	January 20, 2023

TEST REPORT

2) Conducted Emissions Test

Equipment	RF Cable 240cm (RG142) (9kHz to 30MHz)	Artificial Mains Network	EMI Test Receiver)
Registration No.	EW-2454	EW-3360	EW-2500
Manufacturer	RADIALL	ROHDESCHWARZ	ROHDESCHWARZ
Model No.	Bnc m st / 142 / bnc mra 240cm	ENV-216	ESCI
Calibration Date	November 10, 2020	October 20, 2020	March 29, 2021
Calibration Due Date	November 10, 2021	October 20, 2021	March 29, 2022

3) Bandedge Measurement

Equipment	Spectrum Analyzer	5m RF Cable (40GHz)
Registration No.	EW-2466	EW-2701
Manufacturer	ROHDESCHWARZ	RADIALL
Model No.	FSP30	Sma m-m 5m 40G
Calibration Date	September 05, 2020	November 24, 2020
Calibration Due Date	December 05, 2021	November 24, 2021

END OF TEST REPORT