
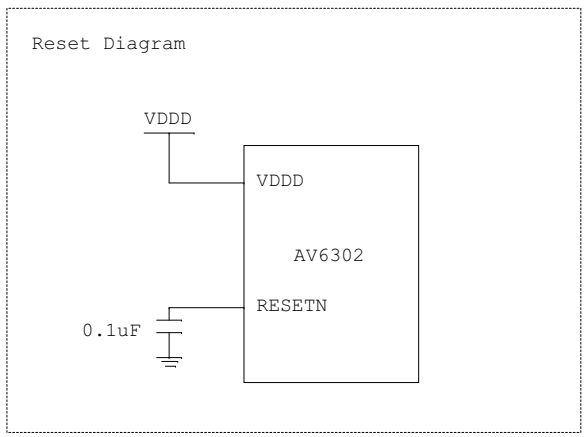
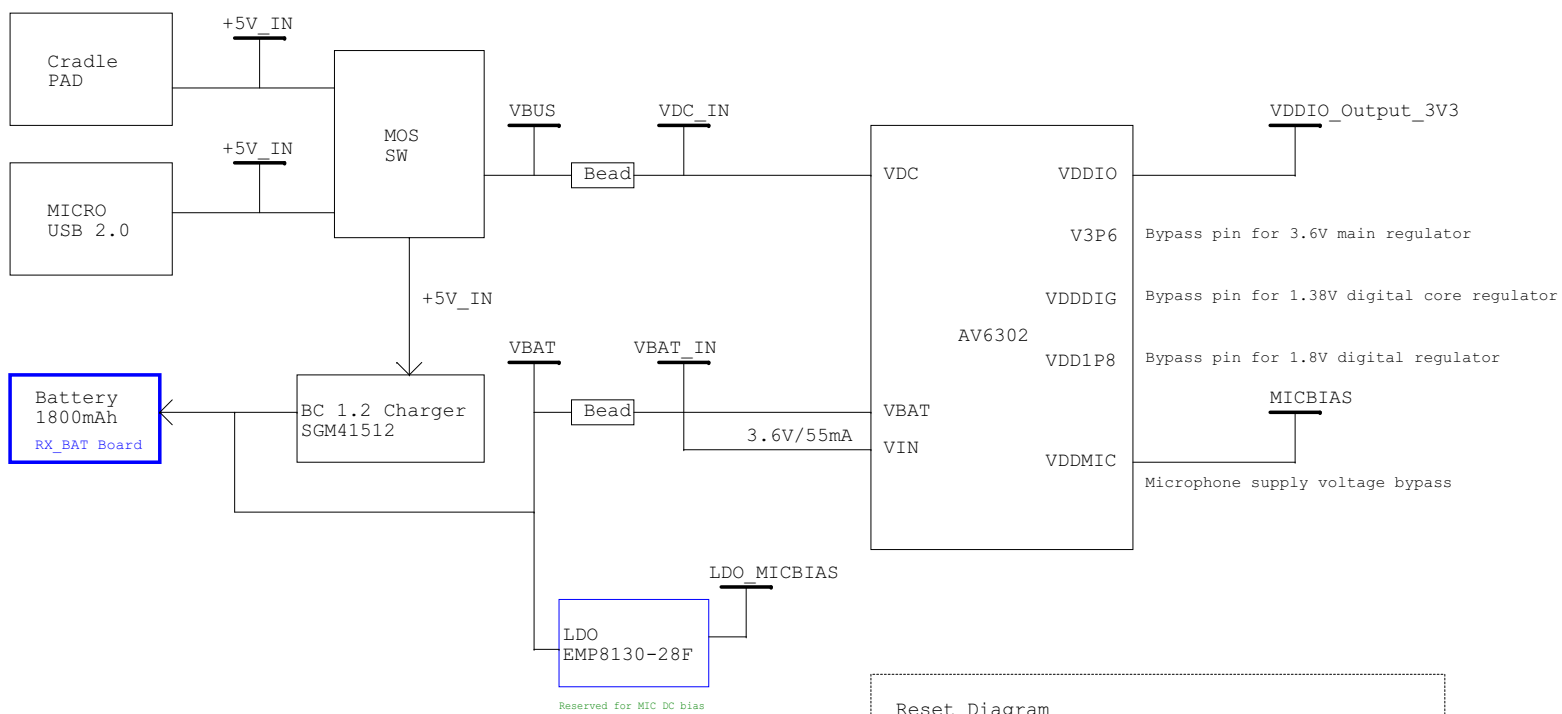


Antenna 1  
2403.35 MHz to  
2479.35 MHz

Antenna 2  
2403.35MHz to  
2479.35MHz

<b>Approved by</b>	<b>Checked by</b>	<b>Designer</b>	<b>AMPACS CORPORATION</b>	 AMPACS CORPORATION
Eddie	Carl	Boyce	Project Number RIG800 Pro_RX_MAIN Size   Title C   System Diagram Date: Wednesday, August 04, 2021   Sheet 2 of 6 Rev D	



<b>Approved by</b>	<b>Checked by</b>	<b>Designer</b>	<b>AMPACS CORPORATION</b>	
Eddie	Carl	Boyce	Project Number RIG800 Pro_RX_MAIN	
<b>Size</b>	<b>Title</b>	<b>Rev</b>	<b>Date:</b> Wednesday, August 04, 2021	Sheet 3 of 6 Rev D
C	Power Diagram	D		