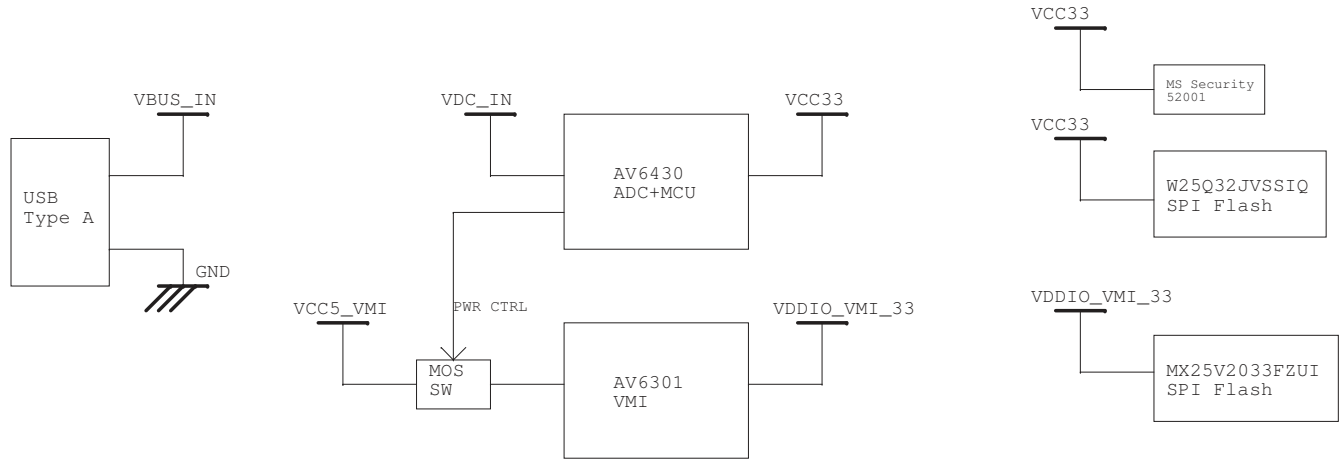


System Block



Power Block

<b>Approved by</b>	<b>Checked by</b>	<b>Designer</b>	<b>&lt;OrgName&gt;</b>		
Eddie	Carl	Elaine	Project Number RIG_700X_TX		
			Size Custom	Title BLOCK Diagram	Rev B
			Date: Wednesday, July 08, 2020	Sheet 2 of 4	