

2021/05/24


Initial draft.

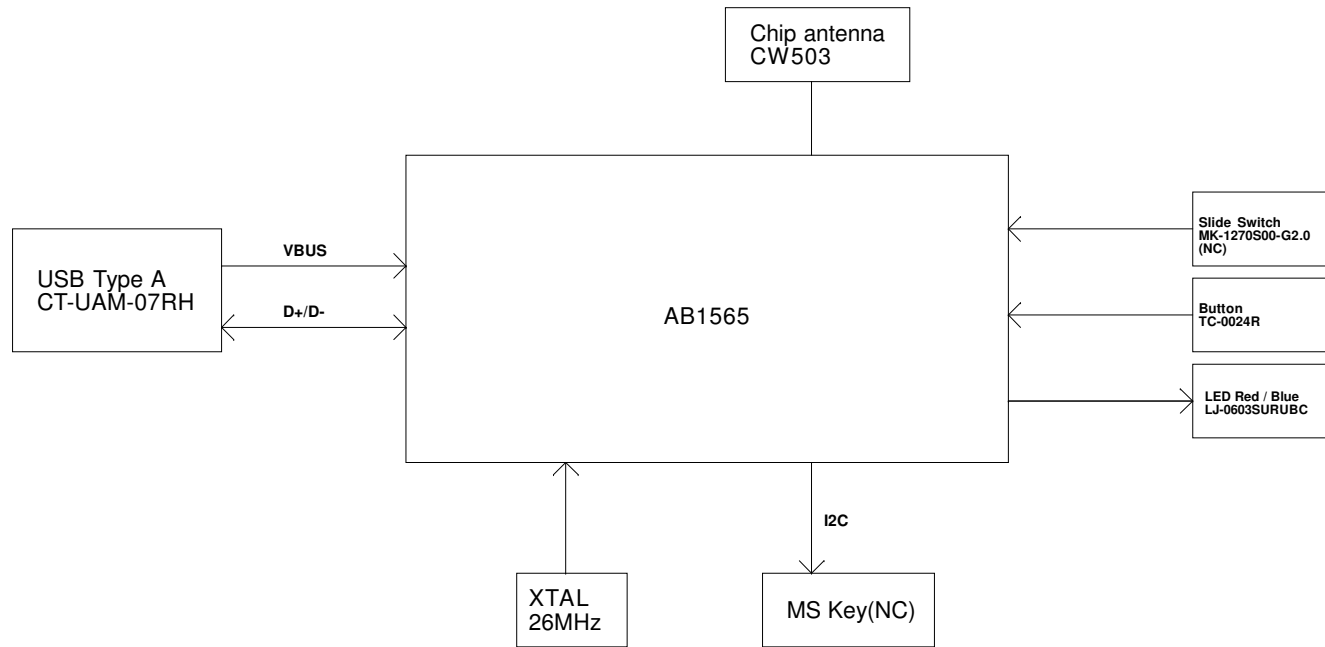
2021/08/24

- 1.Remove ED3、ED4、L2、C6、C7 for optim ize eye diagrams (HS)
- 2.Reserved LDO circuit for VBUS drop voltage issue.
- 3.Add R19、R20 100R for I2C damping.
- 4.Remove test point I2C1_SCL、I2C1_SDA.
- 5.Add test point D+/D- for factory demand.
- 6.RF tunning value.
R16 change 0R to 2.2nH.

2021/11/18

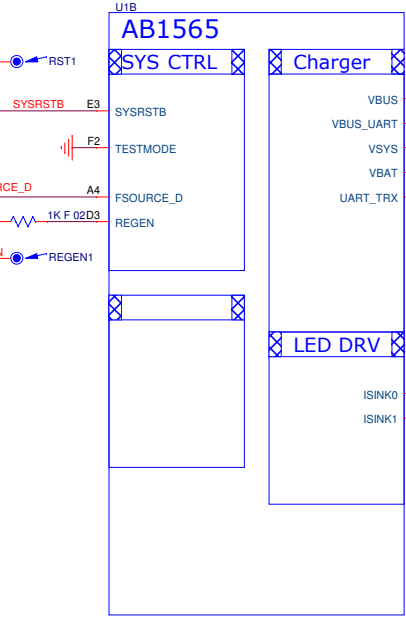
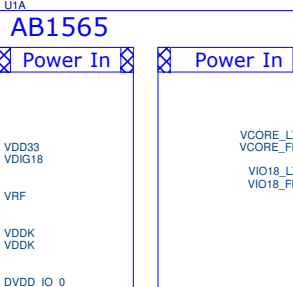
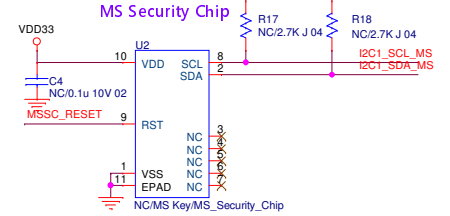
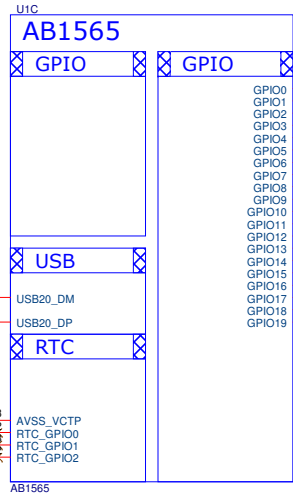
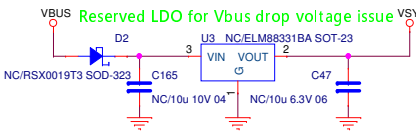
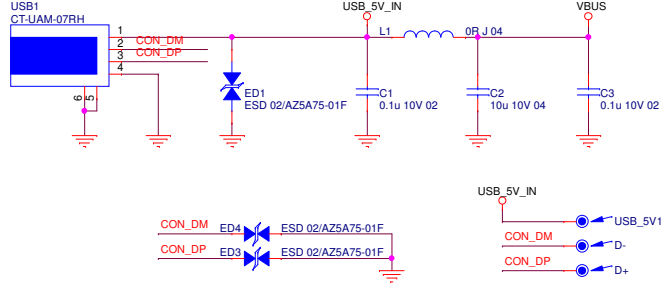
- 1.R17、R18 change 2.2K to 2.7K for XBOX.
- 2.Add ED3、ED4 for customer demand.
- 3.EMI test pass.
L1 change Bead to 0R.

Approved by	Checked by	Designer	AMPACS CORPORATION		
Eddie		Elaine	Project Number RIG700AB_HS_TX		
			Size Custom	Title History	Rev C
Date: Tuesday, November 23, 2021 Sheet 1 of 4					



Approved by	Checked by	Designer	AMPACS CORPORATION	
Eddie		Elaine	Project Number RIG700AB_HS_TX	
			Size Custom	Title Block Diagram
			Date: Tuesday, November 23, 2021	Sheet 2 of 4
			Rev C	AMPACS CORPORATION

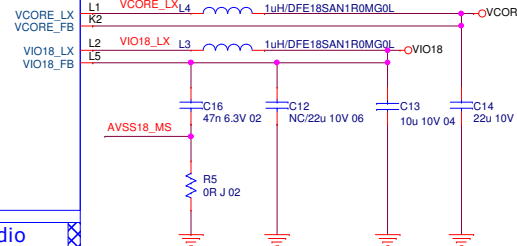
USB TYPE-A



C11 C15 close to IC.

C17-C22 close to IC.

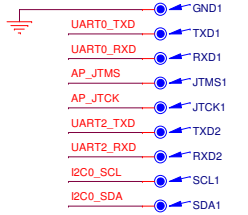
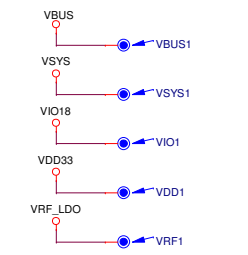
VBAT cap value should be smaller than 10uF



C16 Connect to AVSS18_MS First

C25 Connect to AVSS18_AUD First

C25 close to IC.

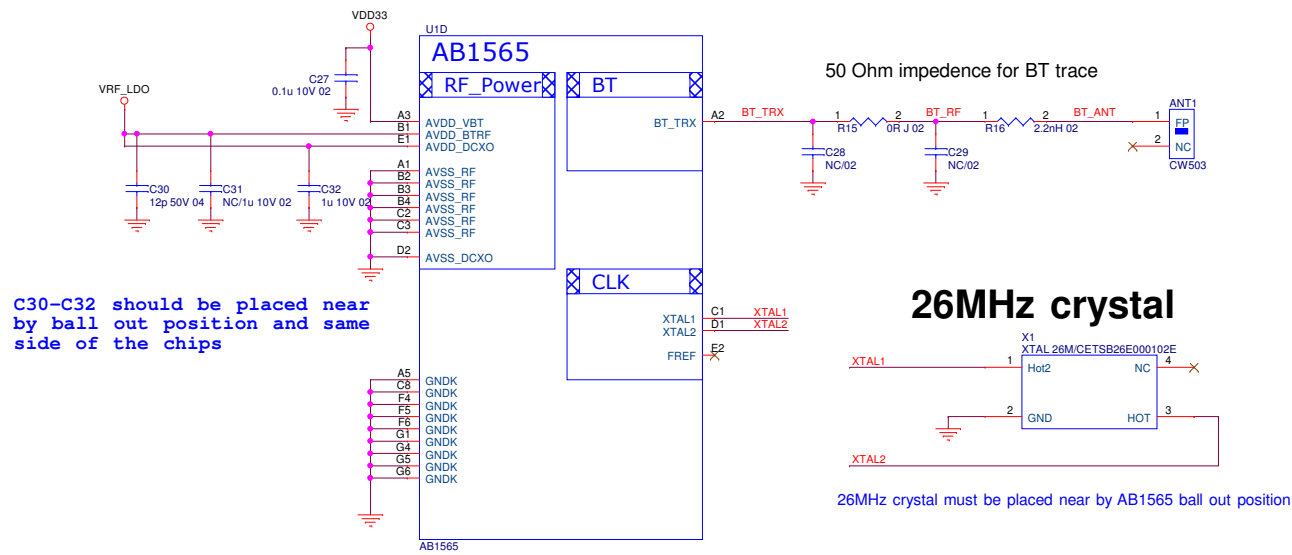


SLT Mode
 {GPIO13} SLT mode
 0: normal
 1: SLT
 The SLT mode is only used for debug in Airaha side .Please keep GPIOM3 be floating.

DL Mode
 {GPIO2} DL mode
 0: no USB download
 1: USB download
 Please reserve the test point if needs DL mode. Please keep GPIOM2 be floating if not use DL mode.

GPIO13_STL_MODE STL1
 GPIO2_DL_MODE DL1

Approved by	Checked by	Designer	AMPACS CORPORATION	
Eddie		Elaine	Project Number RIG700AB_HS_TX	AMPACS CORPORATION
			Size Custom	Rev C
			Title AB1565_Main	Date: Tuesday, November 23, 2021 Sheet 3 of 4



Approved by	Checked by	Designer	AMPACS CORPORATION	
Eddie		Elaine	Project Number RIG700AB_HS_TX	
			Size Custom	
			Date: Tuesday, November 23, 2021	Sheet 4 of 4