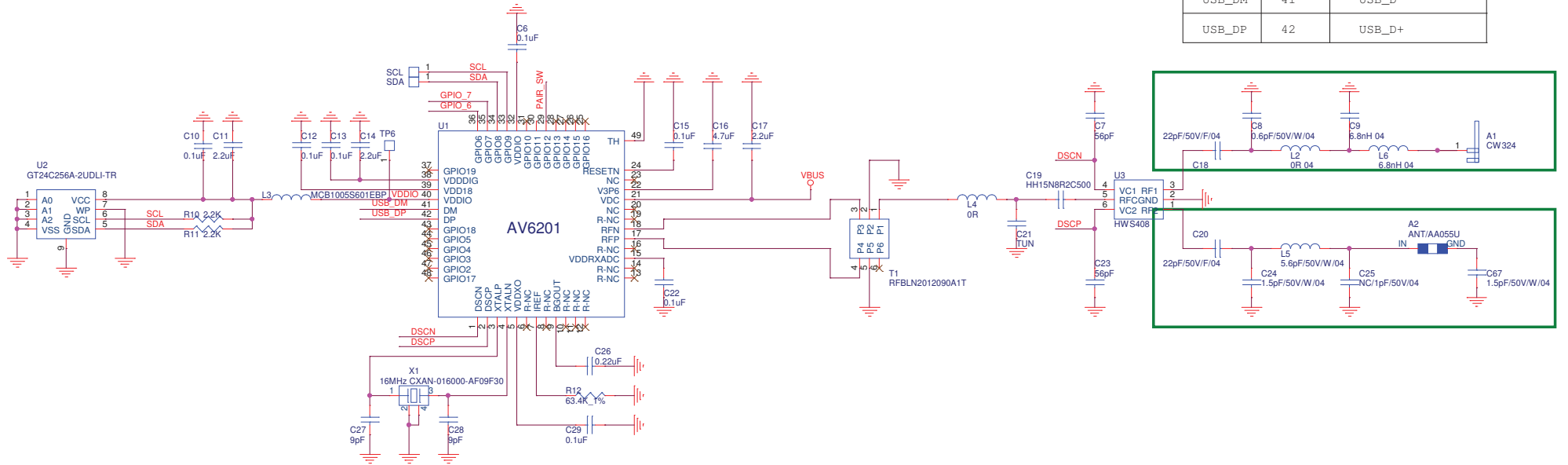


Pin Name	Pin No.	Function
GPIO6	36	LED_R
GPIO7	35	LED_B
GPIO12	29	PAIR_SW
DSCN	1	Antenna SW_N
DSCP	2	Antenna SW_P
SCL	33	I2C_Clock
SDA	34	I2C_Data
USB_DM	41	USB_D-
USB_DP	42	USB_D+



Approved by	Checked by	Designer	AMPACS CORPORATION
		Lancelot	Project Number RIG-700P_TX
			Size Title C AV6201
			Date: Friday, August 07, 2020
			Rev B1
			Sheet 4 of 4