

Project Name : RIG700AR US Region

Date : 2022/03/11

ID Designer : Parker Hung

Part Name : Headband

Version : A

Checked : Alice Li

Drawing Number : ID-AR-20220311-01-V01

Purpose : MP

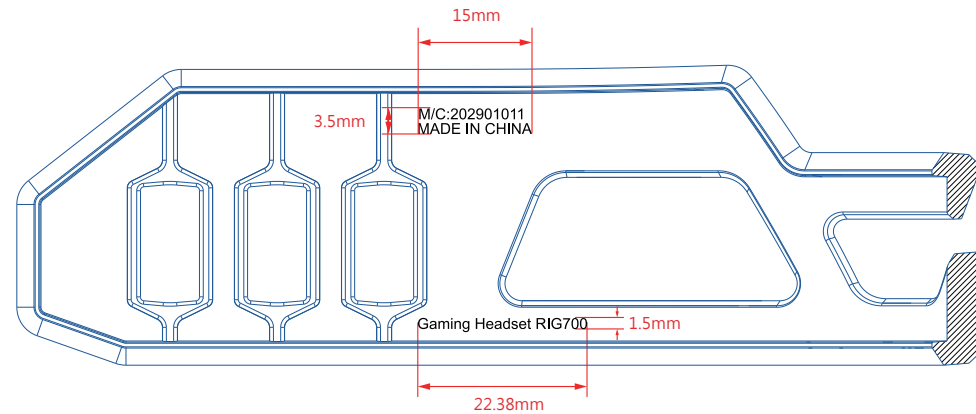
Approved : Alice Li

Laser etching

Scale: 1:1

M/C:202901011  
MADE IN CHINA

Gaming Headset RIG700



Head band left side

Project Name : RIG700AR US Region

Date : 2022/03/11

ID Designer : Parker Hung

Part Name : Headband

Version : A

Checked : Alice Li

Drawing Number : ID-AR-20220311-01-V01

Purpose : MP

Approved : Alice Li

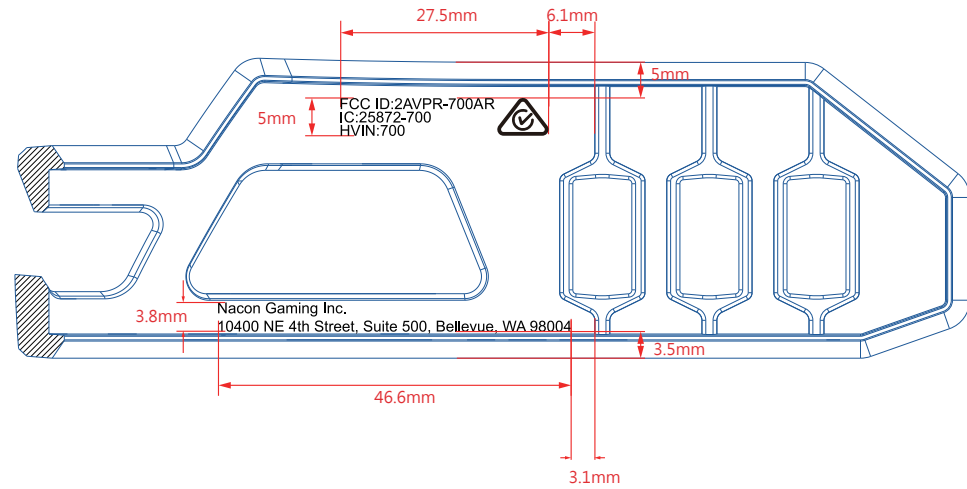
Laser etching

Scale: 1:1

FCC ID:2AVPR-700AR  
IC:25872-700  
HVIN:700



Nacon Gaming Inc.  
10400 NE 4th Street, Suite 500, Bellevue, WA 98004



Head band right side