

2021/05/25

Initial draft.

2021/08/24

- 1.Add MIAS、VIO18 Test Point.
- 2.Modify VR circuit.
- 3.Modify encoder circuit.
- 4.Modify phone jack circuit.
- 5.RF tuning value.
R89 change 0R to 4.7nH.
C99 change NC to 0.8pF.

2021/11/18


- 1.C1 change size 06 to 04.
- 2.Add test point D+/D- for factory demand.
- 3.R9 / R101 / R102 change size 06 to 04.
- 4.Add L14、R103 for customer request.
- 5.EMI test pass.
L3 change bead to 0R.
L11 change bead to 0R.
L13 change bead to 0R.
CM1 change choke to NC.
R17、R18 change NC to 0R.

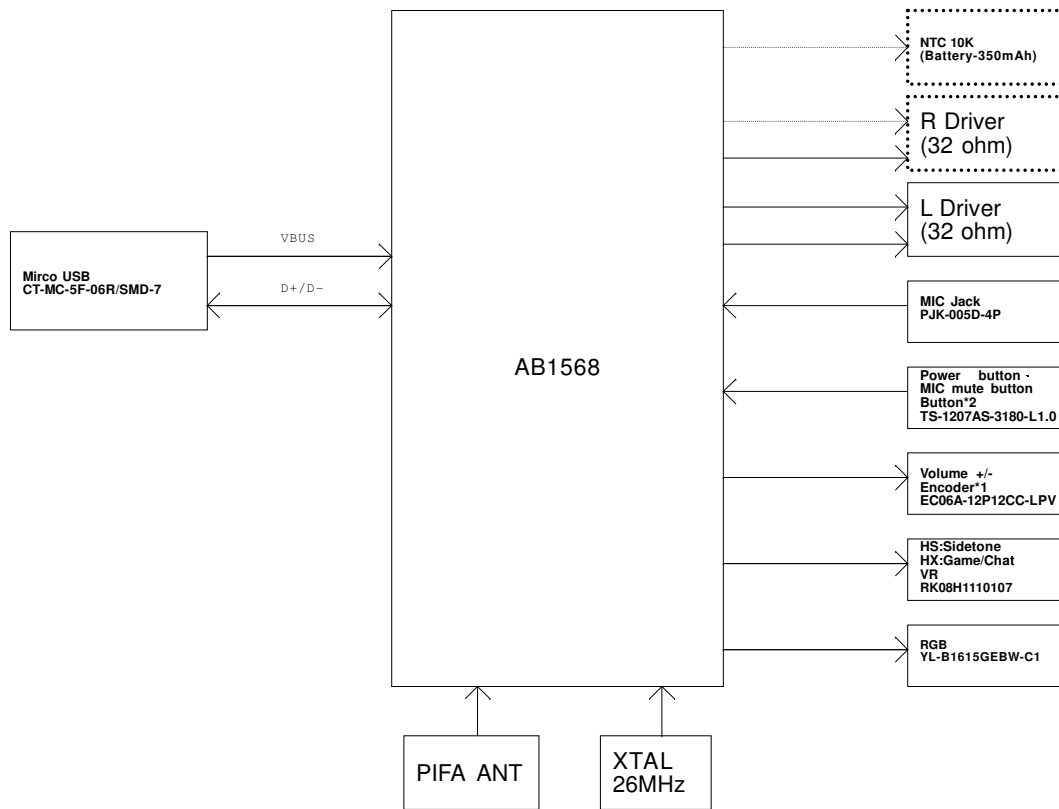
2021/11/22

- 1.Reserve GPIO24 for FW control.

2021/11/29

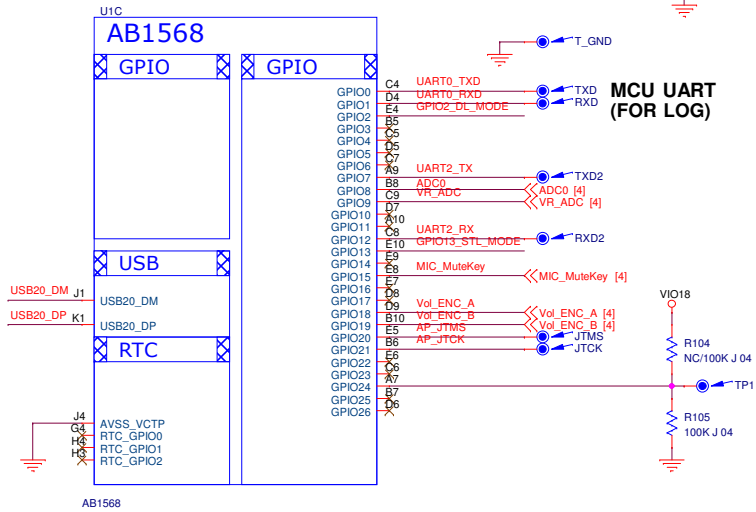
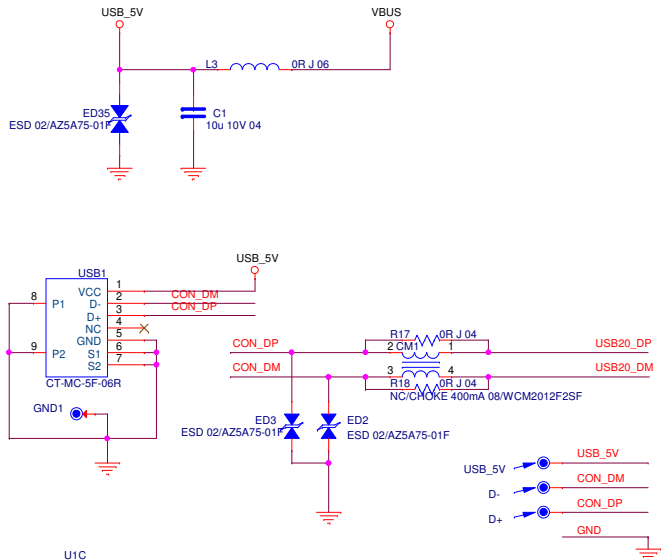
- 1.Add VINO_P、USB_5V Test Point for factory demand.

Approved by	Checked by	Designer	AMPACS CORPORATION		
Eddie		Elaine	Project Number RIG700AB_RX_MAIN	Rev 2C	
			Size Custom	Title History	Date: Monday, November 29, 2021 Sheet 1 of 6

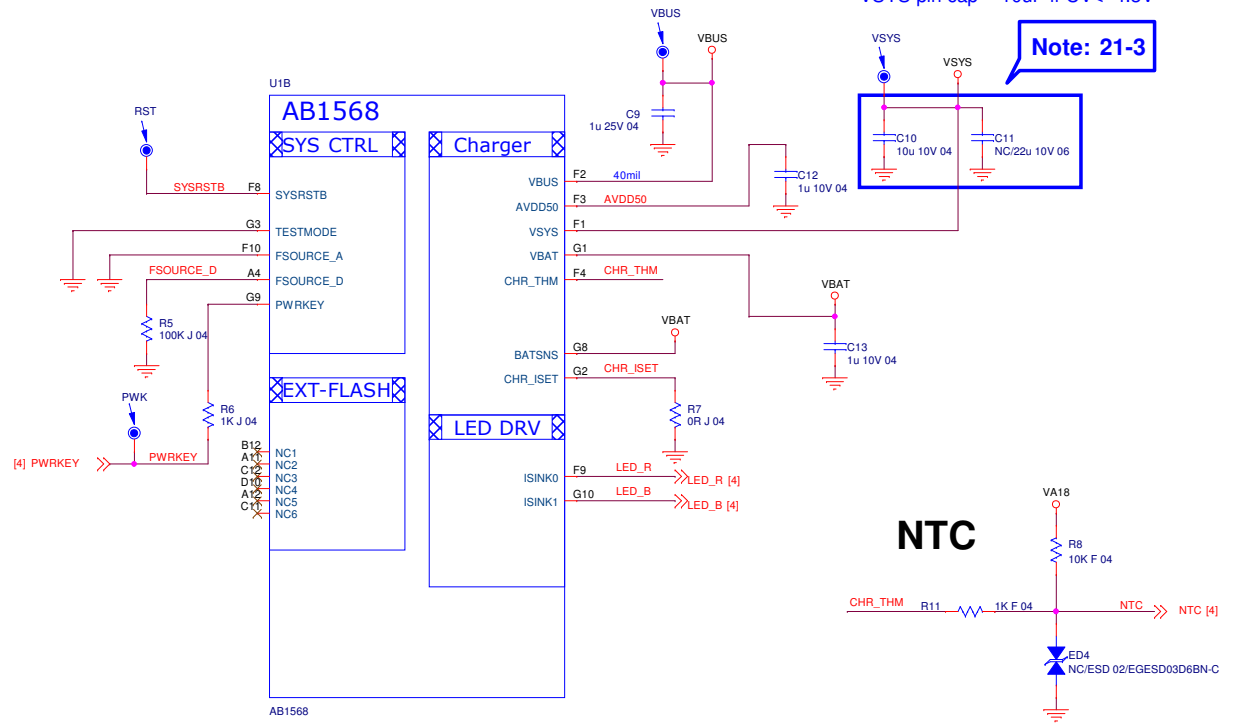


Approved by	Checked by	Designer	AMPACS CORPORATION	
Eddie		Elaine	Project Number RIG700AB_RX_MAIN	
			Size Custom	Title Block Diagram
			Date: Monday, November 29, 2021	Sheet 2 of 6
			Rev 2C	AMPACS CORPORATION

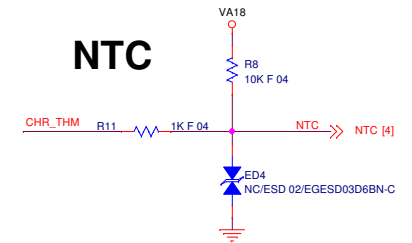
Mirco USB



Note 21-3: VSYS pin cap = 22uF if CV>4.3V
 VSYS pin cap = 10uF if CV<=4.3V



NTC



SLT Mode

GPIO13: SLT mode
 0: normal
 1: SLT

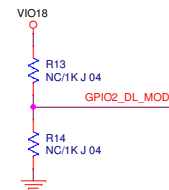
The SLT mode is for debug usage in Airoha side only.
 Please keep GPIO13 floating.



DL Mode and DSP Dump Pin

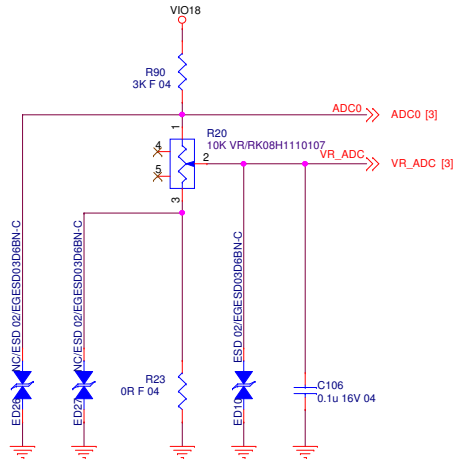
GPIO2: DL mode
 0: no USB download
 1: USB download
 Reserve the test point if needs DL mode.
 Please keep GPIO2 floating if don't need DL mode.

GPIO2: SPDIF Dump
 Reserve the test point if needs DSP dump via SPDIF

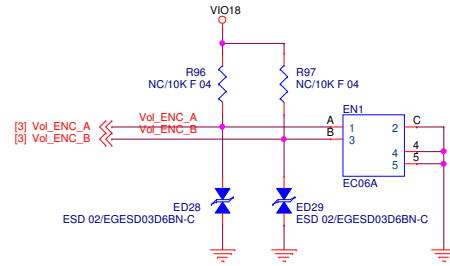


Approved by	Checked by	Designer	AMPACS CORPORATION	
Eddie		Elaine	Project Number	AMPACS CORPORATION
			RIG700AB_RX_MAIN	
			Size Custom	Rev 2C
			Title	
			AB1568_Power	
			Date: Monday, November 29, 2021	Sheet 3 of 6

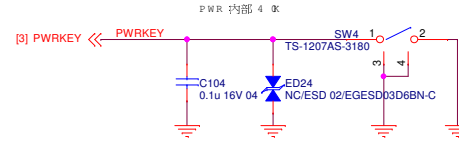
HS:Sidetone VR
HX:Game/Chat VR



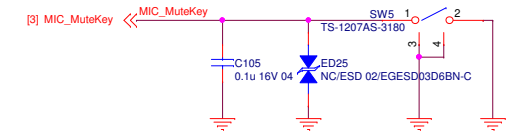
VOLUME ENCODER



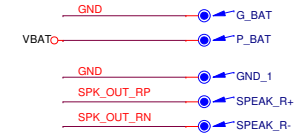
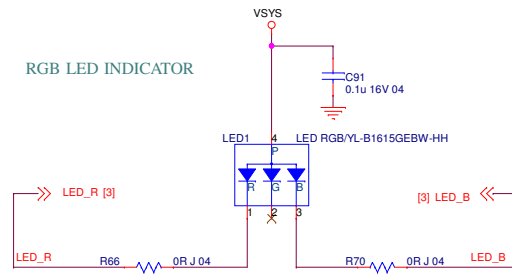
POWER/Pairing KEY



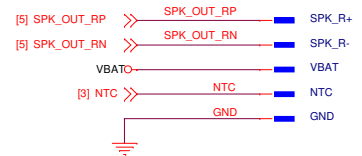
MIC Mute Key



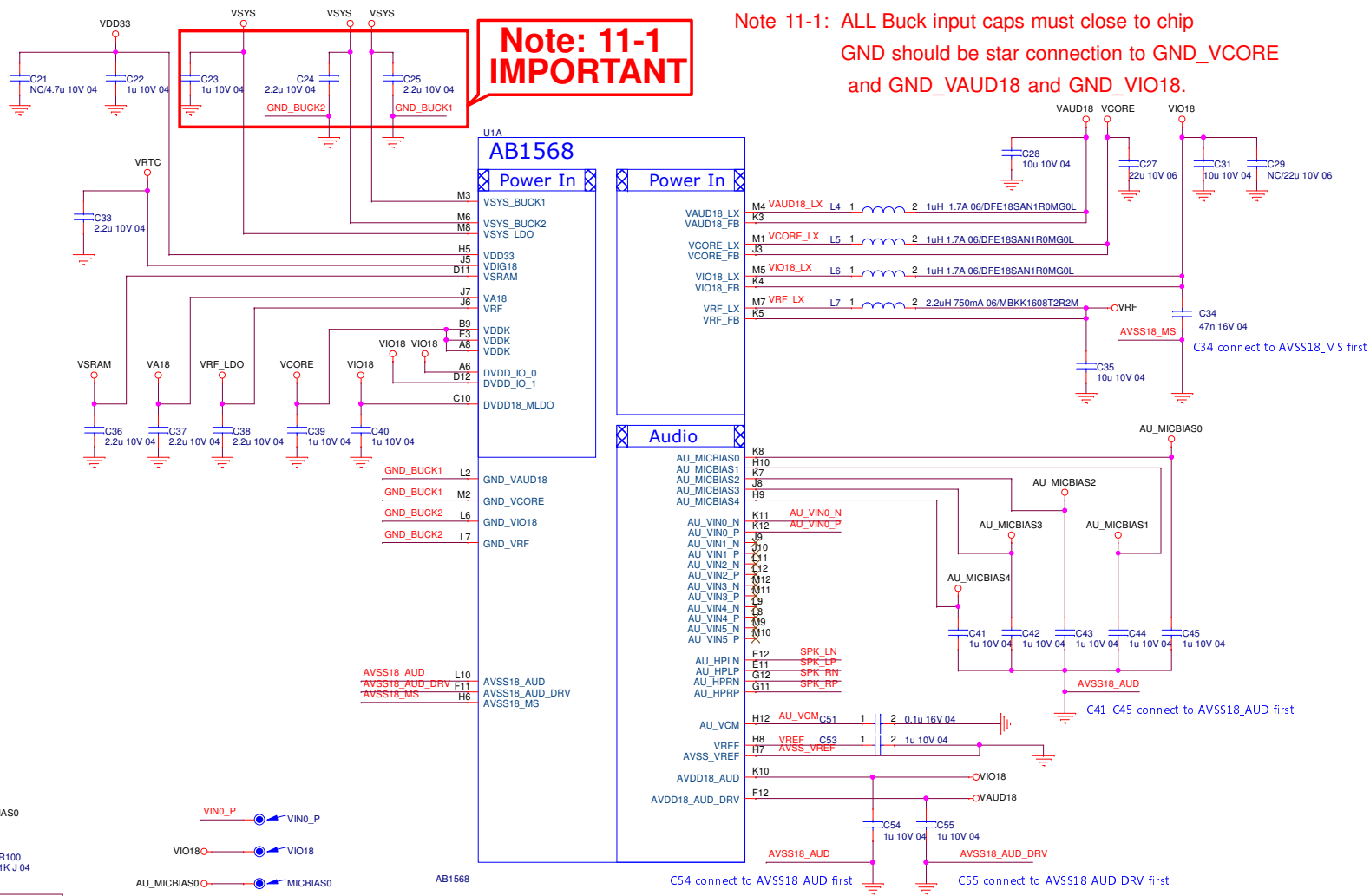
RGB LED INDICATOR



6 SIGNALS PAD FOR HEADBAND WIRE

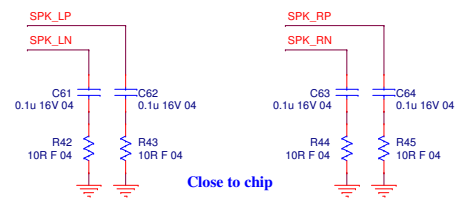
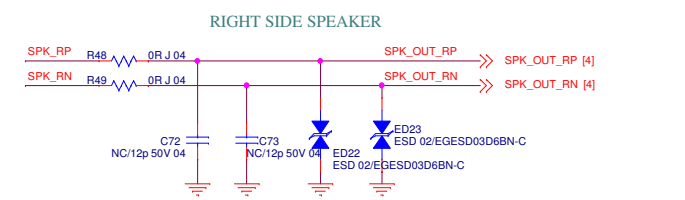
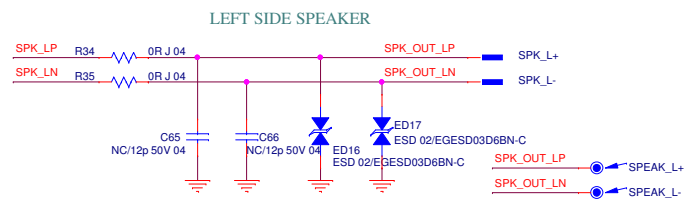
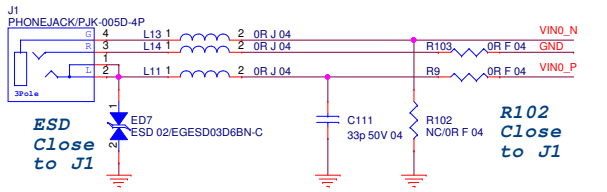
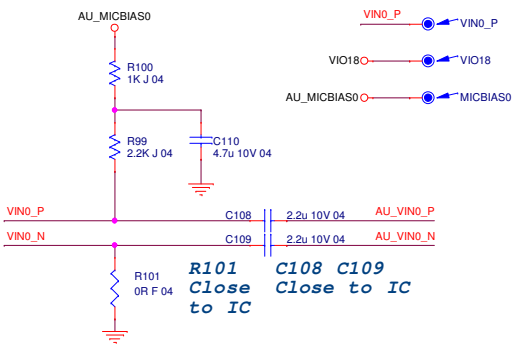


Approved by	Checked by	Designer	AMPACS CORPORATION	
Eddie		Elaine	Project Number	AMPACS CORPORATION
			RIG700AB_RX_MAIN	
			Size	Rev
			Custom	2C
			Title	
			AB1568_IO	
			Date: Monday, November 29, 2021	Sheet 4 of 6



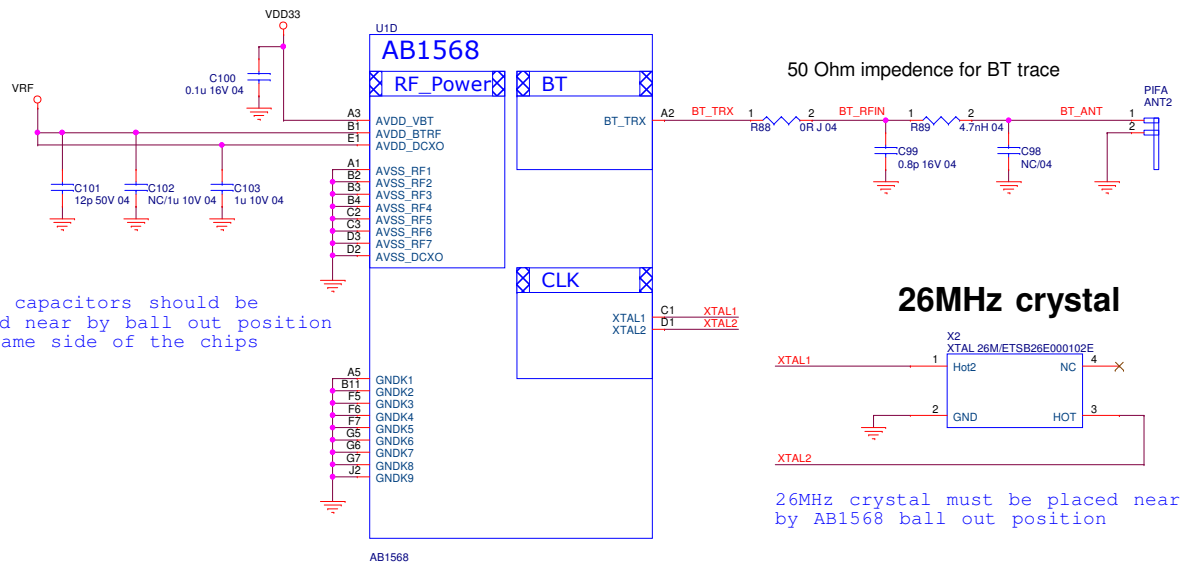
Note: 11-1 IMPORTANT

Note 11-1: ALL Buck input caps must close to chip GND should be star connection to GND_VCORE and GND_VAUD18 and GND_VIO18.



For class D: C61~C64, R42~R45 NC
For class AB & G: C61~C64, R42~R45 should be mounted

Approved by	Checked by	Designer	AMPACS CORPORATION	
Eddie		Elaine	Project Number	AMPACS CORPORATION
			RIG700AB_RX_MAIN	
			Size Title	Rev
			AB1568_Audio	2C
			Date: Monday, November 29, 2021	Sheet 5 of 6



These capacitors should be placed near by ball out position and same side of the chips

Approved by	Checked by	Designer	AMPACS CORPORATION	
Eddie		Elaine	Project Number	AMPACS CORPORATION
			RIG700AB_RX_MAIN	
			Size	Rev
			Custom	2C
			Title	
			AB1568_RF	
			Date: Monday, November 29, 2021	Sheet 6 of 6