

Project Name : RIG700 US Region

Date : 2021/09/29

ID Designer : Parker Hung

Part Name : Headband

Version : 09

Checked : Alice Li

Drawing Number : ID-AR-20200720-01-V09

Purpose : MP

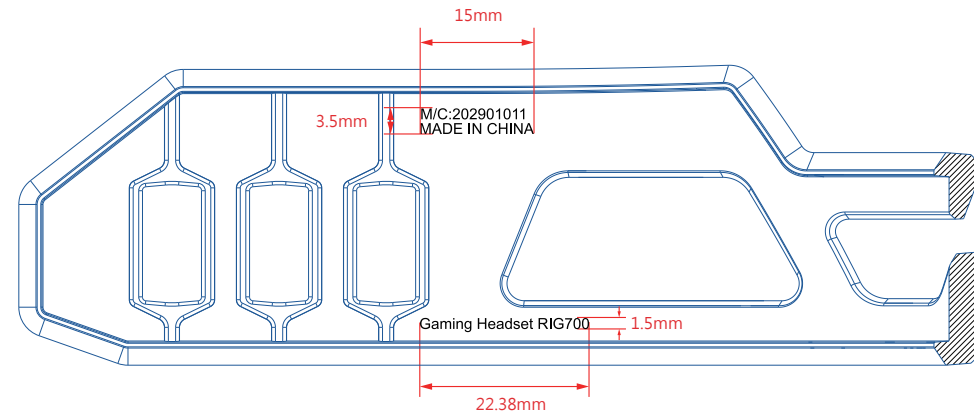
Approved : Alice Li

Laser etching

Scale: 1:1

M/C:202901011
MADE IN CHINA

Gaming Headset RIG700



Head band left side

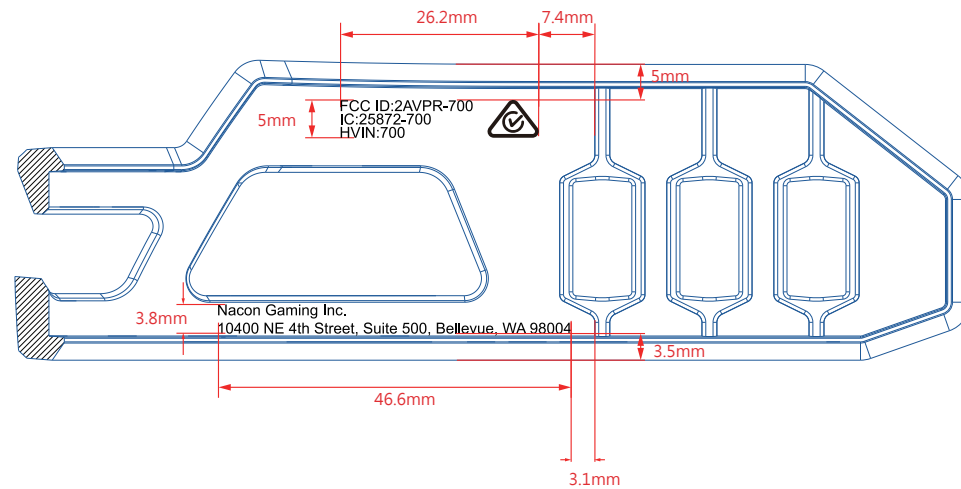
Project Name : RIG700 US Region	Date : 2021/09/29	ID Designer : Parker Hung
Part Name : Headband	Version : 09	Checked : Alice Li
Drawing Number : ID-AR-20200720-01-V09	Purpose : MP	Approved : Alice Li

Laser etching
Scale: 1:1

FCC ID:2AVPR-700
IC:25872-700
HVIN:700



Nacon Gaming Inc.
10400 NE 4th Street, Suite 500, Bellevue, WA 98004



Head band right side