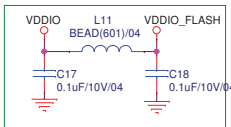
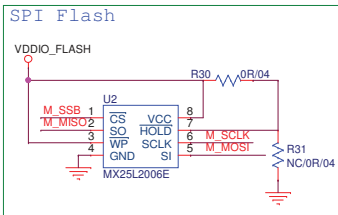
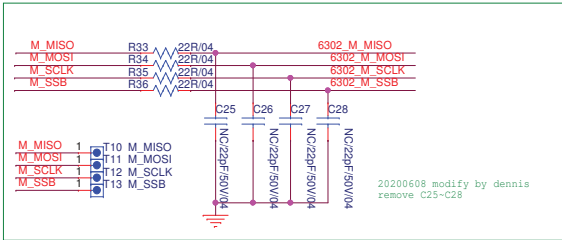


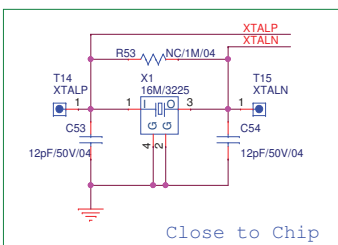
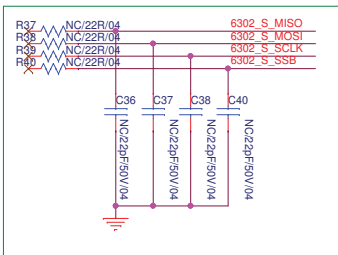
Approved by	Checked by	Designer	AMPACS CORPORATION	
		Dennis	Project Number	AMPACS CORPORATION
			RIG-700	
			Size	Rev
			C Power & MIC & LED & Button	
			Date: Friday, September 04, 2020	Sheet 4 of 5



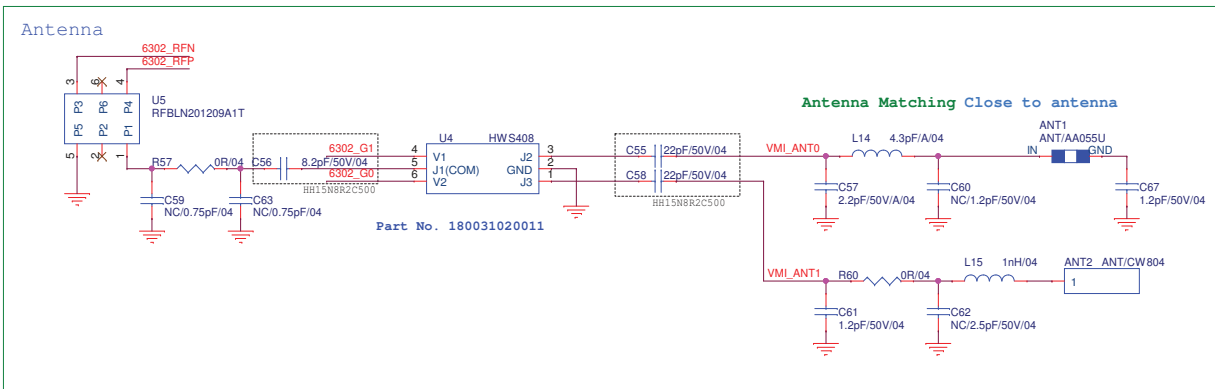
Close to SPI Flash
2020.06.01 modify by Dennis
變更R30改上伴, R31改為不上伴。



20200608 modify by dennis
remove C25-C28

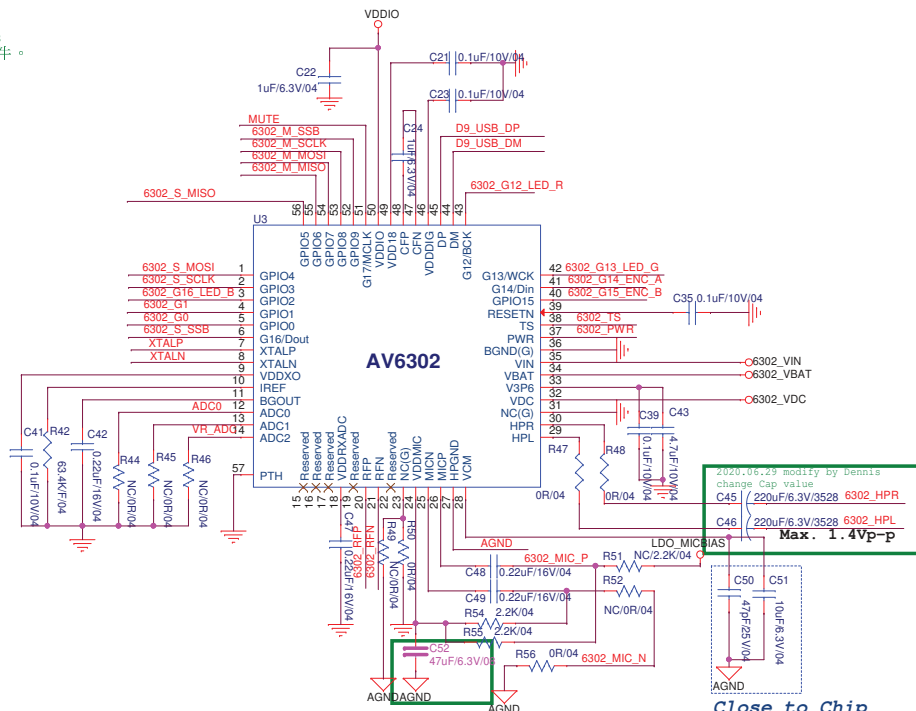


Close to Chip



Antenna Matching Close to antenna

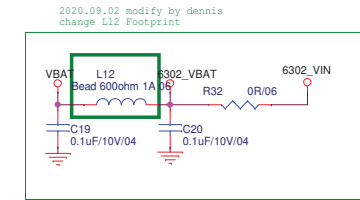
Part No. 180031020011



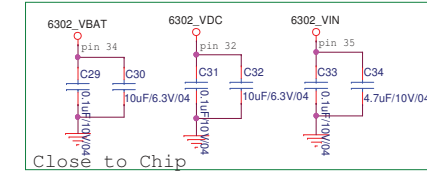
AV6302

2020.06.29 modify by Dennis
change Cap Value
C45 220uF/6.3V/3528 6302_HPR
Max. 1.4Vp-p

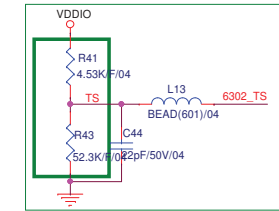
Close to Chip



2020.09.02 modify by dennis
change L12 Footprint



Close to Chip



- 6302_PWR >>> 6302_PWR [4]
- MUTE >>> MUTE [4]
- VR_ADC >>> VR_ADC [4]
- 6302_G14_ENC_A >>> 6302_G14_ENC_A [4]
- 6302_G15_ENC_B >>> 6302_G15_ENC_B [4]
- D9_USB_DP >>> D9_USB_DP [4]
- D9_USB_DM >>> D9_USB_DM [4]
- ADCO >>> ADC0 [4]
- 6302_VDC >>> 6302_VDC [4]
- VBAT >>> VBAT [4]
- TS >>> TS [4]
- AGND >>> AGND [4]
- 6302_G12_LED_R >>> 6302_G12_LED_R [4]
- 6302_G13_LED_G >>> 6302_G13_LED_G [4]
- 6302_G16_LED_B >>> 6302_G16_LED_B [4]
- VDDIO >>> VDDIO [4]
- LDO_MICBIAS >>> LDO_MICBIAS [4]
- 6302_HPR >>> 6302_HPR [4]
- 6302_HPL >>> 6302_HPL [4]
- 6302_MIC_P >>> 6302_MIC_P [4]
- 6302_MIC_N >>> 6302_MIC_N [4]

- 6302_HPR 1 >>> T16 6302_HPR
- 6302_HPL 1 >>> T17 6302_HPL
- TS 1 >>> T18 TS
- VDDIO 1 >>> T19 VDDIO
- 6302_MIC_P 1 >>> T20 6302_MIC_P
- 6302_MIC_N 1 >>> T21 6302_MIC_N
- 6302_VBAT 1 >>> T22 6302_VBAT
- 6302_VDC 1 >>> T23 6302_VDC
- 6302_VIN 1 >>> T24 6302_VIN

Approved by	Checked by	Designer	AMPACS CORPORATION	
		Dennis	Project Number	AMPACS CORPORATION
			RIG-700	
			Size	Rev
			C AV6302	
			Date: Friday, September 04, 2020	Sheet 5 of 5