
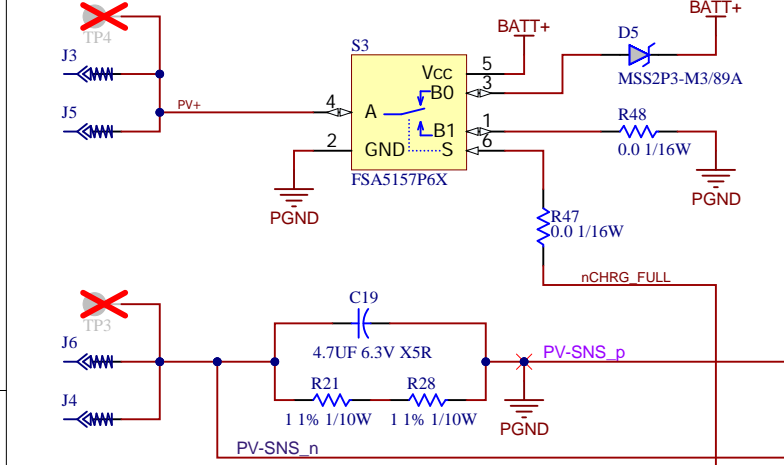


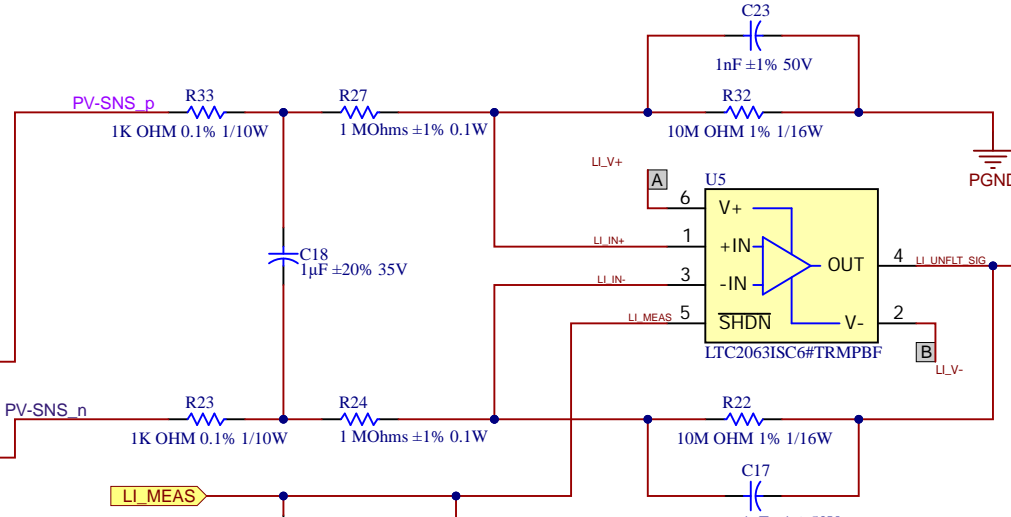
The information contained in this drawing is the sole property of METER GROUP INC. Any reproduction in part or as a whole without the written permission of METER GROUP INC. is prohibited.

Title				<h1 style="text-align: center;">BLE &amp; Logic</h1> <h2 style="text-align: center;">15702</h2>		 <p><b>METER</b></p>
Project Title						
Size: TABLOID	Number	15702	Revision	01.00	Variant	H110-H111
	Drawn By:	EVAN ELBEK	Date:	30 APR 2019		
	Checked By:	ANDREW HALL	Date:	12 NOV 2019		
	Revised By:	AARON PARKER	Date:	2/28/2020		
File: Station BLE & Logic.SchDoc				Sheet	1 of 2	
METER Group, Inc. USA 2365 NE Hopkins Ct. Pullman, WA 99163 USA 509-332-2756						

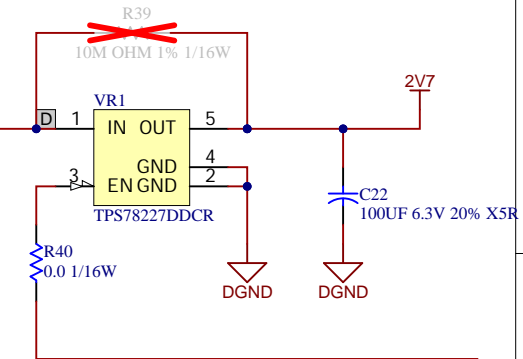
**PV DISCONNECT  
RSENSE & FILTER**



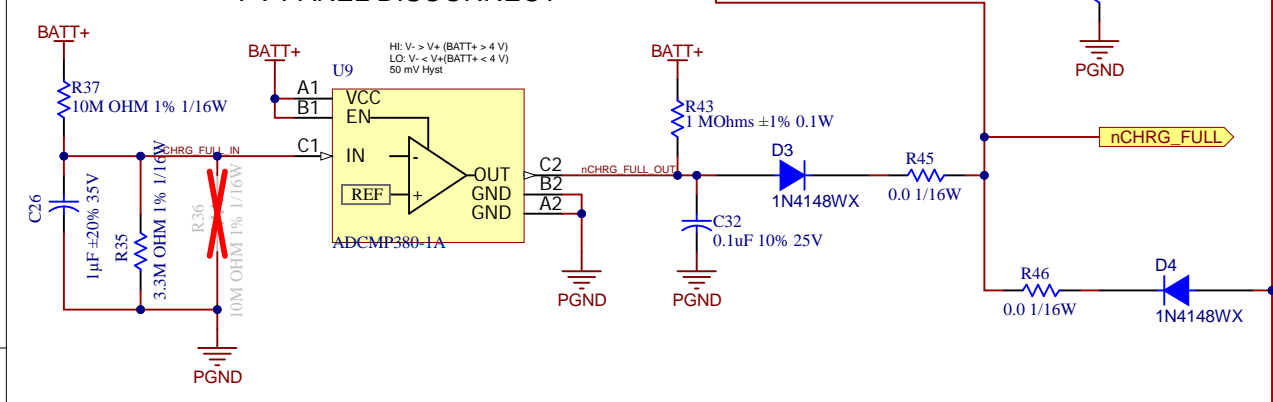
**0-1bd FS PV LIGHT INTENSITY  
CURR-SENSE DIFF-AMP**



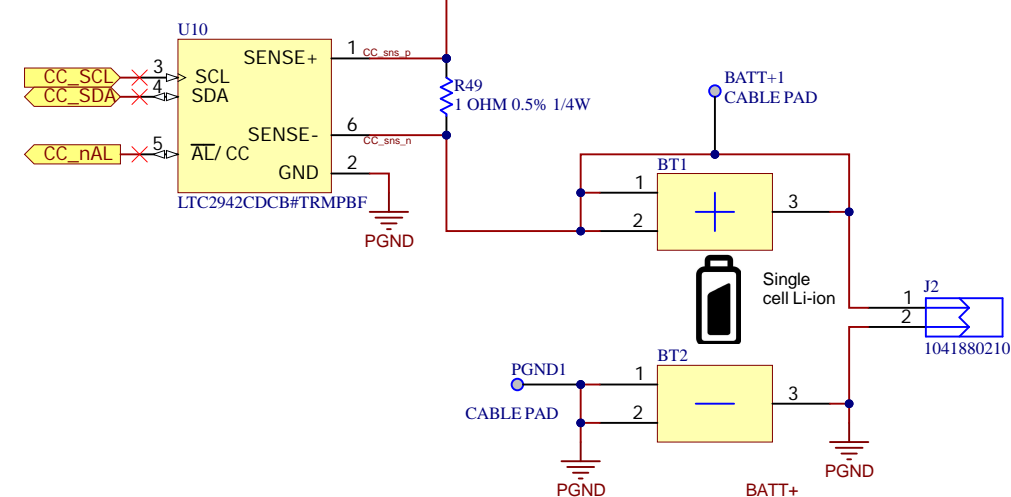
**SYSTEM 2.7 V SUPPLY  
DISCONNECT AND UVLO**



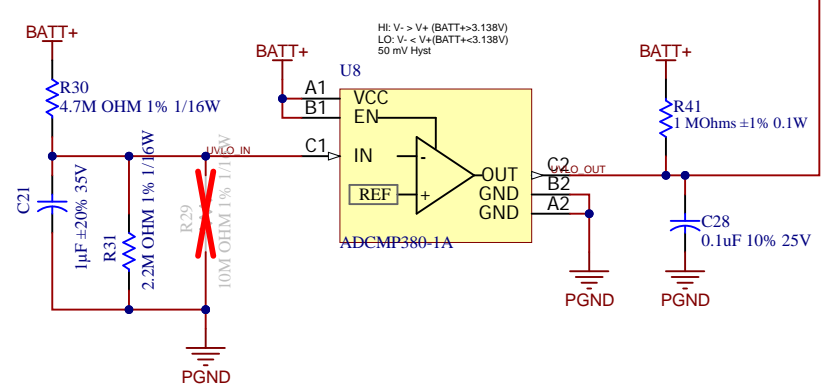
**BATTERY CHARGE 'FULL' MONITOR  
PV PANEL DISCONNECT**



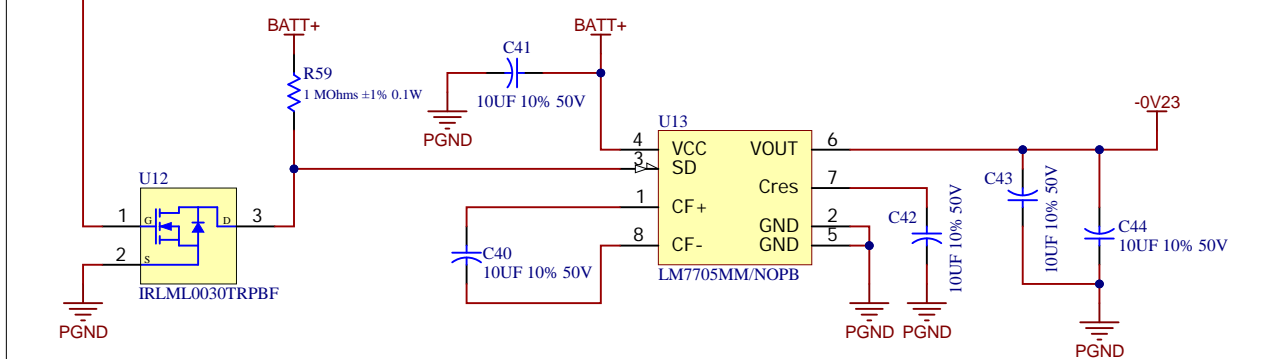
**3.7 V LI-ION BATTERY**



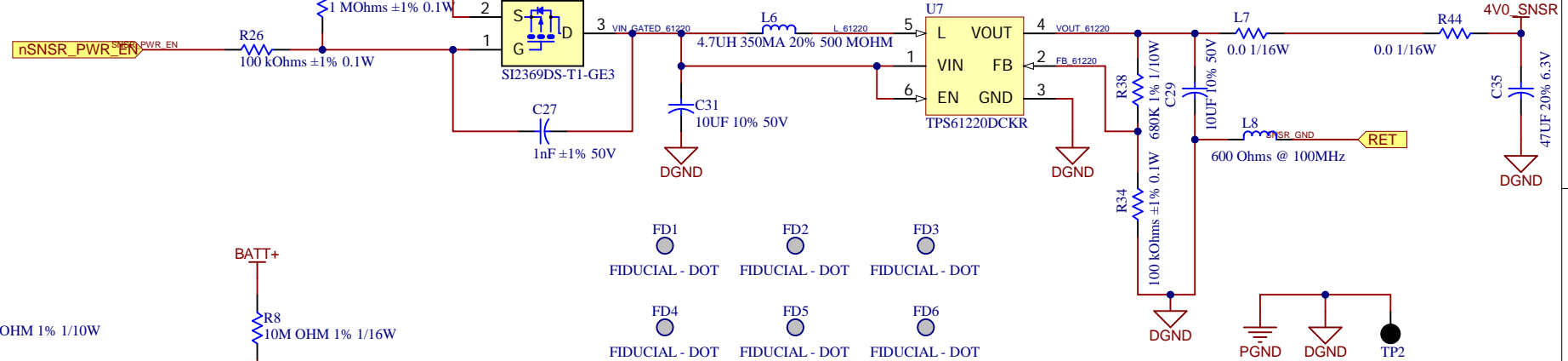
**BATTERY UVLO**



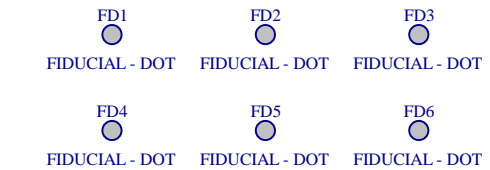
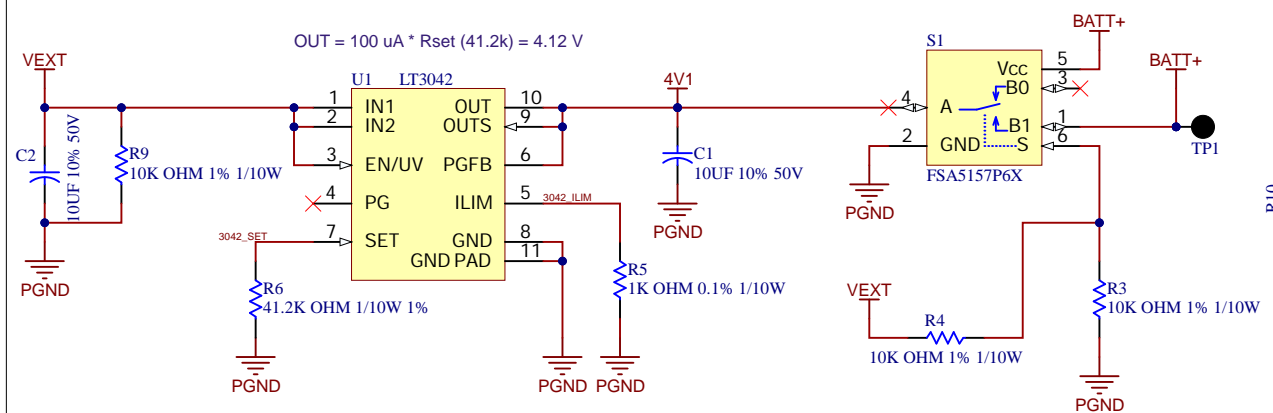
**OPA NEGATIVE BIAS**



**SNSR POWER BOOST CONVERTER AND DISCONNECT**



**5V USB -> 4.1 V  
BATT+ FLOAT CHARGER**



<b>Energy Harvest</b>				
15702				
Size: TABLOID	Number: 15702	Revision: 01.00	Variant: H110-H111	METER Group, Inc. USA 2365 NE Hopkins Ct. Pullman, WA 99163 USA 509-332-2756
	Drawn By: EVAN ELBEK	Checked By: ANDREW HALL	Date: 30 APR 2019	
	Revised By: AARON PARKER		Date: 12 NOV 2019	
File: Station Energy Harvest.SchDoc			Date: 2/28/2020	
			Sheet 2 of 2	

The information contained in this drawing is the sole property of METER GROUP INC. Any reproduction in part or as a whole without the written permission of METER GROUP INC. is prohibited.