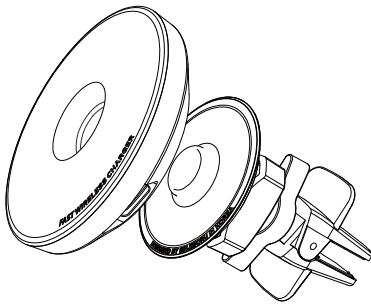


M-Doughnut

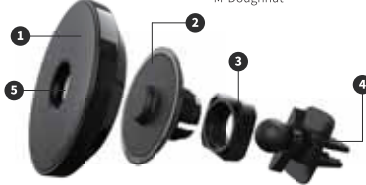
Fast Wireless Charger for MagSafe

This is a manual for the M-Doughnut.



Product Part Name

- Charging Pad
- C-Type Cable
- Air Vent Mount
- How to use the M-Doughnut



| M-Doughnut Fast Wireless Charger |

- 1 Charging Pad
- 2 Connecting Part
- 3 Fixing Nut
- 4 Air Vent Mount
- 5 LED indicator



Important Notice
M-Doughnut is already connected to Air Vent Mount. Please attach it to the air vent directly.

Product Features



- Easily attachable MagSafe car charger
- Electric power up to 15W
- Free rotation
- Charging Pad with LED indicator
- Detachable charging pad

How to use the M-Doughnut

- How to attach the Air Vent Mount to the air vent.



Insert the M-Doughnut into the air vent.

Tighten the connection part of the Air vent mount and fix it well.

Plug in the cable and your car charger is ready to use.

Make sure not to tighten the connection part or it may be detached or broken.

105mm

LED indicator

- **Lights flashing** : ready to connect
- **Lights turning out** : Charging
- **Lights flickering** : Dust detached or overcurrent

Remove remaining residues or re/unplug the cable when flickering



Product Specification

Product name	M-Donut Fast Wireless Charger
Input	5V 2A / 9V 1.67A
Output	5W / 7.5W / 10W / 15W
Input terminal	USB-C
Charging efficiency	75%

Charging distance	~5mm
Operating temperature	-20~45°C
KC(safety certification) number	R-R-5jm-SMA_CARM_DNUT



Important Notice

- It is recommended to use it to the cigar jack gng compatible with QC 2.0 or QC 3.0 for better wireless charging.
- Please use the MagSafe compatible case or any phone case with M-Plate on for its perfect attachment and wireless charging.
- Please make sure that M-Doughnut is placed in the middle of your phone for better wireless charging.
- If the inner temperature of the car increases, it might damage the product.
(Recommended environmental temperature -20~45°C)
- M-Doughnut is not compatible with the 15W charging of Apple&Samsung.

- Please make sure not to wet the M-Doughnut or it may cause electrical leakage or electric shock.
- Please refrain from disassembling or remodeling of the user's discretion as it may cause malfunction or fire.

FCC Information

This device complies with part 15 of the FCC Results. Operation is subject to the following two conditions :

- (1) This Device may not cause harmful interference, and
- (2) This device must accept any interference received, including interference that may cause undesired operation.

Note: This equipment has been tested and found to comply with the limits for CLASS B digital device, pursuant to Part 15 of FCC Rules. These limits are designed to provide reasonable protection against harmful interference when the equipment is operated in a commercial environment. This equipment generates, uses and can radiate radio frequency energy and, if not installed and used in accordance with the instructions, may cause harmful interference to radio communications. However, there is no guarantee that interference will not occur in a particular installation. If this equipment does cause harmful interference to radio or television reception, which can be determined by turning the equipment off and on, the user is encouraged to try correct the interference by one or more of the following measures:

- 1.1. Reorient or relocate the receiving antenna.
- 1.2. Increase the separation between the equipment and receiver.
- 1.3. Connect the equipment into an outlet on a circuit different from that to which receiver is connected.
- 1.4. Consult the dealer or experienced radio/TV technician for help.

WARNING

Changes or modifications not expressly approved by the manufacturer could void the user's authority to operate the equipment.

IMPORTANT NOTE

FCC RF Radiation Exposure Statement:
This equipment complies with FCC RF radiation exposure limits set forth for an uncontrolled environment. This equipment should be installed and operated with a minimum distance of 20 centimeters between the radiator and your body. This transmitter must not be co-located or operating in conjunction with any other antenna or transmitter.



105mm