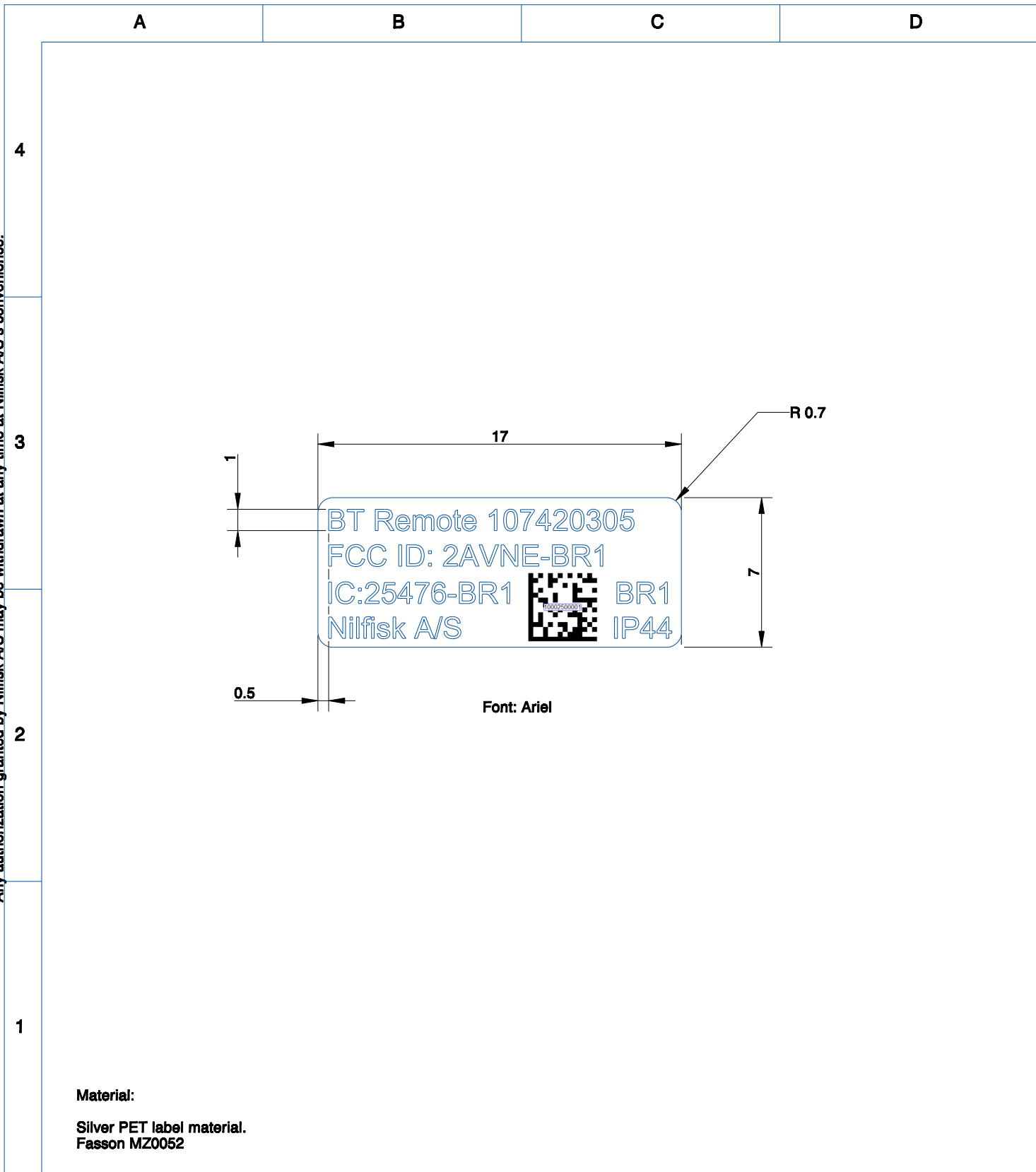


Any unauthorized use, dissemination, distribution or copying of this document and/or its contents is strictly prohibited.
 Any authorization granted by Nilfisk A/S may be withdrawn at any time at Nilfisk A/S's convenience.



Change on Model	B			24-Oct-2022	Linda Hassing
Change on Drawing	-			24-Oct-2022	
	Revision		ECN Number	Date	Modified by

Changes on Model/Drawing

	Date -	Name	Description
Created	13-Oct-2022	Linda Hassing	Label BT remote
Compliance with: NACS 2020			

Drawing Status	Material spec	Additional Description:
----------------	---------------	-------------------------

Article no. 107420581	Material Dimension	Model Size 0.00 x 0.00 x 0.00	Nilfisk® Nilfisk A/S Kornmarksvej 1 DK-2605 Broendby Denmark	Drawing ID 20001504908	Revision
---------------------------------	--------------------	----------------------------------	--	----------------------------------	----------

Volume 11 mm ³	Weight 0.028 kg	Not specified tolerances NONE	Sheet 1 of 1	Format A4	Scale 4:1
------------------------------	--------------------	---	------------------------	---------------------	---------------------

3D Model: 20001504904 B.2
 Drawing: 20001504908 B.2