

SPECIFICATION FOR APPROVAL

CUSTOMER:

CUST P/N:

FINE P/N:

 Φ 50MMX5.0MMX0.9MM

DESC:

A11-50-20.5/0.08*105*12TS-50MM

DATE:

2022/5/20

Version:

A.0

| PREPARED BY | CHECKED BY | APPROVED BY | CUSTOMER APPROVE |
|------------------|-----------------|-------------------|------------------|
| Meixian Xiang | Chaoling Lan | GongLing Xiang | |

Shenzhen Chengxiangsheng Intelligent Technology Co., Ltd

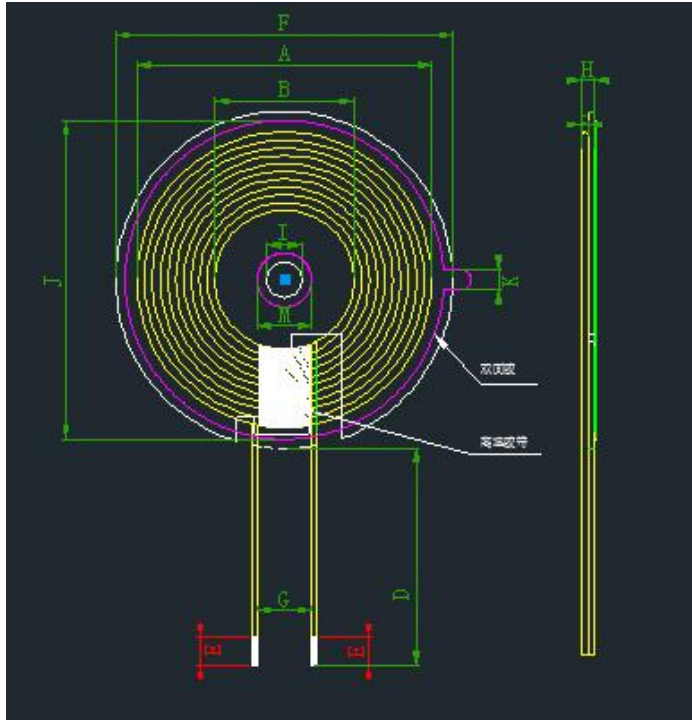
Factory Address: Rm605, No. 2nd LingBeiSiRoad, FengHuang
Community, Fuyong, Bao'an District, Shenzhen, Guangdong, China

TEL: 18923715829

SPECIFICATION

| | | | | |
|------|---------------------------------------|----------|-----------|------------|
| DESC | Φ 20.5x47-10uH-0.08x105Px12TS-50mm-50 | Rev: A.0 | CUST: | XXX |
| | | | CUST P/N: | |

1. DIMENSION:(mm)

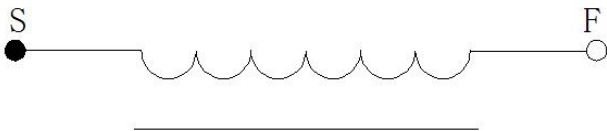


| | |
|---|----------|
| A | 47±1.5 |
| B | 20.5±0.5 |
| C | 0.9 Max |
| D | 50±3 |
| E | 4±2 |
| F | 50±0.5 |
| G | 8.0 ref |
| H | 2.5 Max |
| I | 5.3 ref |
| M | 6.0 ref |
| J | 49±1 |
| K | 5.0±1 |
| | |
| | |
| | |

注:

- 1.Cross coil out
- 2.Use 8mm(ref) high temperature adhesive tape to wrap the coil out position 1-2Ts
3. Coil sticks round magnetic sheet with slot/gum. magnetic sheet size: 50±0.5mm, bore size: 5.3mm, thickness: 0.9±1.5mm

2. SCHEMATIC DIAGRAM:



3. Winding Specification:

| NO. | TERMINAL | WIRE | Turns | Winding Direction |
|-----|----------|-----------------------------|-------|-------------------|
| 1 | S F | silk covered wire 0.08*105P | 12Ts | CCW |

4. ELECTRICAL CHARACTERISTICS:

TEMPERATURE:25±10°C, RELATIVE HUMIDITY:65±20%

| NO. | ITEM | TERMINAL | SPECIFICATION | TEST FREQUENCY | TEST EQUIPMENTS |
|-----|------|----------|---------------------------|----------------|-----------------|
| 1 | IND. | S-F | 5.8uH ±20% single coil | 100KHz/1.0V | LCZ METER 1062B |
| 2 | IND. | S-F | 9.5uH ±10% magnetic sheet | 100KHz/1.0V | LCZ METER 1062B |
| 3 | DCR | S-F | ≤ 50m Ω | 100KHz/1.0V | LCZ METER 502B |
| 4 | Q | S-F | ≥ 75m Ω | 100KHz/1.0V | LCZ METER 502B |

| | |
|------------------|-----------------|
| PREPARED BY/DATE | CHECKED BY/DATE |
|------------------|-----------------|

| | |
|-------------------------|--------------------------|
| Meixian Xiang2022/05/20 | GongLing Xiang2022/05/20 |
|-------------------------|--------------------------|