

无线摄像麦克风

Made for iPhone | iPad



无线摄像麦克风  
Wireless Microphone  
使用手册 | User Manual

**■ 前言**  
尊敬的用户：  
感谢您选购无线摄像麦克风，为了能提供更好的了解使用本产品，建议您在使用前仔细阅读该说明书。

**■ 产品特性**  
通过苹果MFi官方认证，安全无忧，无损iOS生态系统升级，升级无线麦克风使用；  
三合一功能转换，精美外观，机身小巧便携，适用于摄像机、单反及手机等设备；  
2.4G无线传输技术，传输信号稳定，有效距离为120米；  
支持三个话筒音量等级自由切换；  
全频段自适应，三种接收模式自由切换，满足任何使用环境下的精确拾音；  
支持TF卡本地海量存储，无惧海量文件数据丢失，让您的更安全；  
麦克风可单独当麦克风使用，任何环境下随时随地录音同步保存；  
接收端3.5mm耳机模式下/麦克风工作模式下支持连续采访12小时超长续航，不再需要频繁充电；  
配备充电接收线，发射端和接收端充电及充电更方便；  
接收端大电池1000mAh可循环充电，出行旅游直接取电，

**■ 适用范围**  
专为直播、VLOG、摄像、采访等场合

**■ 包装清单**  
收纳盒（一拖一）.....1个  
麦克风发射器.....1个  
三合一数据线.....1个  
接收端.....1个  
充电线.....1根  
防风毛.....1个  
说明书.....1本

无线摄像麦克风

**■ 技术参数**

**【收纳盒参数】**  
输入电压:DC4.8-5.4V  
充电时间:约90分钟  
收纳重量:约85.6克

**【麦克风参数】**  
频率范围:2-4GHz  
延迟时间:≤5ms  
续航时间:20-200Hz  
输入电压:DC4.8-5.4V  
灵敏度:-26 dBFS  
麦克风尺寸:47.1\*15.04\*15.61mm

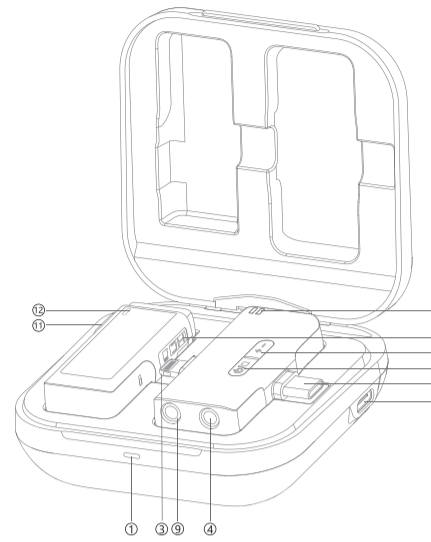
**【接收器参数】**  
频率范围:2-4GHz  
延迟时间:≤5ms  
续航时间:20-200Hz  
输入电压:DC4.8-5.4V  
灵敏度:-26 dBFS  
麦克风尺寸:47.1\*15.04\*15.61mm

**【接收器参数】**  
频率范围:2-4GHz  
延迟时间:≤5ms  
续航时间:20-200Hz  
输入电压:DC4.8-5.4V  
灵敏度:-26 dBFS  
麦克风尺寸:47.1\*15.04\*15.61mm

**【接收器参数】**  
频率范围:2-4GHz  
延迟时间:≤5ms  
续航时间:20-200Hz  
输入电压:DC4.8-5.4V  
灵敏度:-26 dBFS  
麦克风尺寸:47.1\*15.04\*15.61mm

无线摄像麦克风

**■ 功能示意**



1. 充电指示灯  
2. 充电TYPE-C接口  
3. 接收端Lightning  
4. 3.5mm耳机接口  
5. 接收TYPE-C  
6. 开机/复位键  
7. 降噪降噪/降噪降噪  
8. 接收端耳机  
9. 接收端3.5mm耳机接口  
10. TF卡槽  
11. 开/关机/复位键  
12. 发射端指示灯

无线摄像麦克风

**■ 发射端功能说明**

步骤	操作	预期结果	故障排除
1	开机	1. 充电指示灯亮起 2. 接收指示灯亮起	接收器未开
2	充电	1. 充电指示灯亮起 2. 接收指示灯亮起	接收器未开
3	接收指示灯	接收指示灯亮起	接收器未开
4	接收指示灯	接收指示灯亮起	接收器未开
5	接收指示灯/接收指示灯	接收指示灯亮起/接收指示灯亮起	接收器未开
6	接收指示灯	接收指示灯亮起	接收器未开
7	充电	接收指示灯亮起	接收器未开
8	接收指示灯	接收指示灯亮起	接收器未开
9	接收指示灯	接收指示灯亮起	接收器未开
10	接收指示灯	接收指示灯亮起	接收器未开
11	接收指示灯	接收指示灯亮起	接收器未开
12	接收指示灯	接收指示灯亮起	接收器未开
13	接收指示灯	接收指示灯亮起	接收器未开

**■ 接收端功能说明**

步骤	操作	预期结果	故障排除
1	开机	1. 充电指示灯亮起 2. 接收指示灯亮起	接收器未开
2	充电	1. 充电指示灯亮起 2. 接收指示灯亮起	接收器未开
3	接收指示灯	接收指示灯亮起	接收器未开
4	接收指示灯	接收指示灯亮起	接收器未开
5	接收指示灯/接收指示灯	接收指示灯亮起/接收指示灯亮起	接收器未开
6	接收指示灯	接收指示灯亮起	接收器未开
7	充电	接收指示灯亮起	接收器未开
8	接收指示灯	接收指示灯亮起	接收器未开
9	接收指示灯	接收指示灯亮起	接收器未开
10	接收指示灯	接收指示灯亮起	接收器未开
11	接收指示灯	接收指示灯亮起	接收器未开
12	接收指示灯	接收指示灯亮起	接收器未开
13	接收指示灯	接收指示灯亮起	接收器未开

无线摄像麦克风

**■ 充电仓功能说明**

步骤	操作	预期结果	故障排除
1	充电指示灯	充电指示灯亮起	接收器未开
2	充电指示灯	充电指示灯亮起	接收器未开
3	充电指示灯	充电指示灯亮起	接收器未开
4	充电指示灯	充电指示灯亮起	接收器未开
5	充电指示灯	充电指示灯亮起	接收器未开

注：TF卡录音每次自动保存新的录音文件，当内存内容满了，自动删除最新的录音文件。

无线摄像麦克风

**■ 设备连接使用说明**  
取出设备后，接收端发射端指示灯亮起，即连接成功。（如图示）



**■ 手机连接使用说明**  
将Lightning接收端Type-C接收器插入手机的Lightning Type-C接口设备，接收端指示灯亮起，即可使用麦克风收音。



无线摄像麦克风

**■ 摄像机连接使用说明**  
将3.5mm连接线分别插入接收端与相机3.5mm孔设备，接收端指示灯亮起，即可使用麦克风收音。



**■ Windows笔记本系统操作**  
接收端耳机Type-C（摄像头接口）Type-C接口，接收端指示灯亮起，即可使用麦克风收音。

**■ 台式Windows系统操作**  
接收端耳机Type-C（摄像头接口）Type-C接口，接收端指示灯亮起，即可使用麦克风收音。

**■ APPLE笔记本系统操作**  
接收端耳机Type-C（摄像头接口）Type-C接口，接收端指示灯亮起，即可使用麦克风收音。

无线摄像麦克风

**■ OTG连接开启(仅限安卓系统)**  
I/O PPO A72系列



**■ 接收端安装相机说明**  
安装接收端前，接收器的塑料盖与接收器之间产生一定的空间后，将接收器插入相机底座卡口固定。



无线摄像麦克风

**■ 毛套安装说明**  
将毛套套在接收端塑料盖四周，插入时针旋转90°即可固定。



**■ 关于图标含义解释**  
根据CE 2004/108/EG和European Low Voltage Directive (欧洲低电压指令) RL2006/95/EG的测试结果表明，本产品符合欧盟关于电磁兼容性的成员国法律规定的指令中所规定的限制。

**■ 安全警告**  
为避免火灾、高温、着火、爆炸、机械损坏以及使用不当可能造成的财产损失或人身伤害，请务必仔细阅读并遵守以下事项：  
1. 使用产品时请确认所连接设备与本产品的功率是否匹配以及合理调整设备最大尺寸，不要在超过产品功率及大音量下长时间使用，以免造成产品损坏；  
2. 请勿在家庭环境内（如卧室、厨房等），请立即关闭电源开关并拔掉电源插头，然后将产品送回收理商处理；  
3. 本产品及配件都应存放在室内干燥通风处，请勿长期存放在潮湿、灰尘多的环境，请勿将设备靠近火源、雨淋、进水、过度碰撞、抛掷、撤回本机及潮湿通风孔，避免损坏其功能；  
4. 使用该产品时请遵守相关规定，法律法规明确禁止使用场合请勿使用本产品，以免造成意外伤害；  
5. 请勿自行拆卸或改装接收器，以防止出现人身伤害，如有疑问或需寻求请联系当地经销商进行处理。

Wireless Video Microphone

**■ Foreword**  
Dear user:  
Thank you for choosing our wireless camera microphone. In order to better understand the use of this product, it is recommended that you read this manual carefully before use.

**■ Features**  
Original wiring connector, no more worry about iOS ecosystem, and safe to use.  
Three-in-one universal receiver, lighter design, compact and convenient. Compatible with cameras and mobile phones and others.  
2.4G wireless transmission technology, stable transmission distance can be up to 120M.  
Real-time monitoring, free switching of three volume levels.  
Three noise reduction modes can be switched freely, to meet accurate pickup in any complex environment.  
Support TF card local audio storage, no more worry about file loss.  
The microphone can be used as a recording pen alone, and the recording can be saved synchronously anytime and anywhere in any environment.  
Microphone and receiver with 3.5 mm cable which is used for camera can last 12 hours continuous interview.  
Equipped with a charging case, the transmitter and receiver are more convenient to store and charge, interviewers.  
The charging case has a large battery of 1000mAh that can be recharged, which is the first choice for travel and make a Live.

**■ Applications**  
Live, Vlog, Video-shooting, Interview and others.

**■ Packing List**  
Charging case (one-to-one receiver).....1PCS  
Microphone transmitter.....1PCS  
3 in 1 Receiver.....1PCS  
Audio cable.....1PCS  
Charging cable.....1PCS  
Windproof.....1PCS  
User manual.....1PCS

Wireless Video Microphone

**■ Specifications**

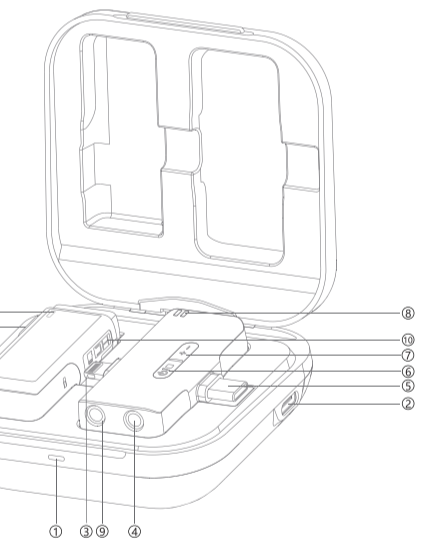
**【Charging case】**  
Input voltage: DC 4.8V-5.4V  
Charging time: 90 mins  
Recharge times: recharge 3 times for microphone and receiver  
Weight: about 85.6g

**【Microphone specification】**  
Frequency: 2.4GHz  
Latency: 25 ms  
Working time: 12 hrs  
Frequency response range: 20-20KHz  
Microphone and receiver with 3.5 mm cable which is used for camera can last 12 hours continuous interview.  
DC: 4.8-5.4V  
Weight: about 18.7g  
Sensitivity: -26 dBFS  
SN Ratio: 64 dB  
Microphone size: 47.1\*15.04\*15.61mm

**【Receiver specification】**  
Frequency: 2.4GHz  
Latency: 25 ms  
Working time: 12 hrs  
Frequency response range: 20-20KHz  
Microphone and receiver with 3.5 mm cable which is used for camera can last 12 hours continuous interview.  
DC: 4.8-5.4V  
Weight: about 18.7g  
Sensitivity: -26 dBFS  
SN Ratio: 64 dB  
Microphone size: 47.1\*15.04\*15.61mm

Wireless Video Microphone

**■ Functions**



1.Charging case indicator light  
2.Type-C charging port  
3.Lightning receiver  
4.3.5mm adapter cable port  
5.Type-C receiver  
6.Power/reset button  
7.Volume/noise key  
8.Indicator light on the receiver  
9.3.5mm monitoring port  
10,TF memory card slot  
11,Mute key  
12.Indicator light on the microphone

Wireless Video Microphone

**■ Microphone transmitter functions**

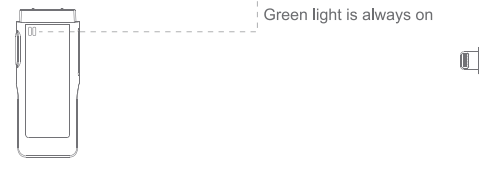
No.	State	Operation	Light
1	Power on	✓Open the charging case and take out the microphone ✓Put in the power button	Green light for one second
2	Power off	✓Put in the charging case and close the cover ✓Press power button for 3 s	Green light flashes slowly
3	Search for pairing	No pairing request	Green light flashes slowly
4	Power	Connection successful	Green light is always on
5	Clear pairing/forgetting	Press the power button within 10 s after power on	Red and green light flashes quickly
6	Mute/unmute	Click the power button to mute/unmute Please stop recording	Make the blue light is always on Pick up Green light is always on
7	Charging	Put in the charging case and close the cover	Flash charging blue light off
8	Low power	Below 3.2V current (Auto power off within 10 mins)	Red light flashes quickly
9	Automatic power-off	Below 3.2V current (Auto power off within 10 mins)	Light off
10	TF card operation	Click the power button to insert/remove TF card Please stop recording	Green light flashes on
11	Mute key operation	Click the power button to mute to start recording Please stop recording	Red light flashes on
12	Indicator light	Recording state	Red light is always on
13	Automatic power-off	Recording state	Red light is always on

**■ Receiver functions**

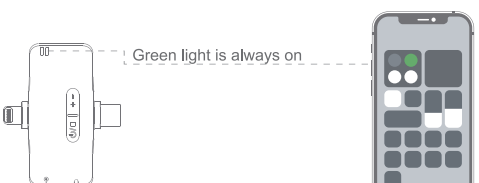
No.	State	Operation	Light
1	Charge the case	Charging with Type-C cable	Charging red light is always on Fully charged, the light is off
2	Reduce base indicator of charging case	Open the case/lighting light 100% 75% Open the case/lighting light 50% 25%	Blue light is on for 10 mins Blue light is on for 5 mins
3	Change light transmitter	Put the transmitter in the case and close the cover	Change the blue light button Fully charged, the light is off
4	Change the receiver	Put the receiver in the case and close the cover	Change the green light button Fully charged, the light is off
5	Change mute device	Put the transmitter and receiver	Fully charged, light is off

Wireless Video Microphone

**■ Connection instruction**  
After taking out the device, the indicator lights of the microphones on the receiver and transmitter are always green, it is paired successfully.  
(See as below picture)

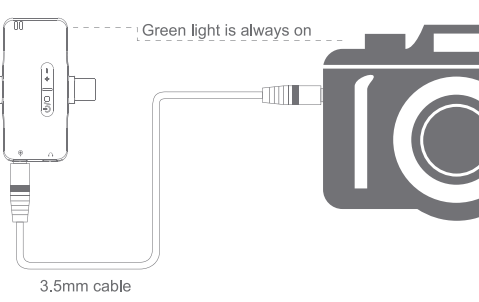


**■ Mobile phone connection instruction**  
Plug the Lightning receiver/Type-C receiver into the Lightning port/Type-C port of the mobile phone, and the green light of the receiver is always on, and the microphone can be used to pick up sound.



Wireless Video Microphone

**■ Camera connection instructions**  
Plug the 3.5mm cable into the receiver and the 3.5mm hole of the camera respectively, the green light of the receiver is always on, and the microphone can be used to pick up sound.



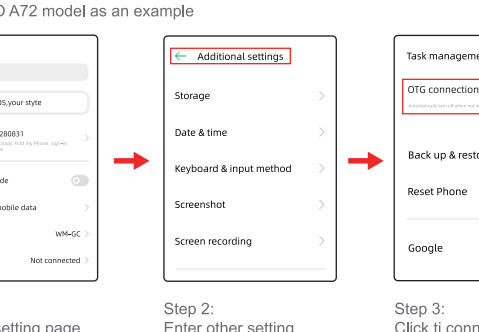
**■ Windows Notebook Operation**  
Turn on the receiver and connect the Type-C port to the Type-C jack of the computer or insert the 3.5 adapter cable to the audio input jack, click the "Speaker" icon at the bottom right of the computer, and then open the sound settings, "Sound" setting option and then click the bottom of the page to select "Voice input" option, select the corresponding "Microphone" option to confirm.

**■ Desktop Windows operation**  
Turn on the receiver, plug in the 3.5mm adapter cable to the audio input port of the host computer, click the "Speaker" icon at the bottom right of the computer, and then open the sound settings, the "Sound" setting option, and then click the "Sound Input" option at the bottom of the page, and select the corresponding "Microphone" option to confirm.

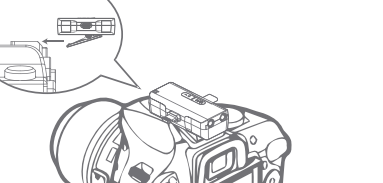
**■ MacBook operation**  
Turn on the receiver and connect the Type-C port to the Type-C socket of the MacBook. On the MacBook, select the "Settings" option, then click the "Sound", then select the "Sound output" option, click to select "Speaker", and then confirm, then select the "Sound input" option, click to select "Microphone/Wireless microphone".

Wireless Video Microphone

**■ Turn on OTG (only for Android system)**  
Take OPPO A72 model as an example



**■ Instructions for installing the receiver to the camera**  
Before installing to the camera, use the receiver's back clip to clip on the camera shoe and then fix.



Wireless Video Microphone

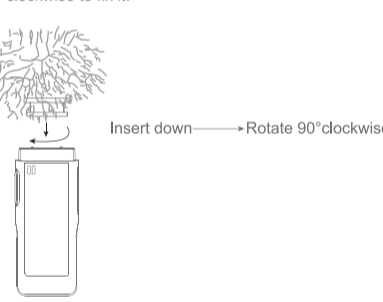
**■ Label Meanings**  
According to the test results obtained based on RL2004/108/EG (Electromagnetic Compatibility Directive) and RL2006/95/EG (Low Voltage Directive), this product complies with the limits specified in the European Community EMC (Electromagnetic Compatibility) Directive, an integration of relevant laws from its member states.

Changes or modifications not expressly approved by the complying party may cause the user to lose permission to operate the device.  
This device complies with part 15 of the FCC Rules. Operation is subject to the following two conditions:  
(1) This device may not cause harmful interference.  
(2) This device must accept any interference received, including interference that may cause undesired operation.

This symbol indicates that according to WEEE (Waste of Electrical and Electronic Equipment) Directive (2012/18/EU) national laws, this type of waste should not be discarded along with your household waste as it contains potentially hazardous substances that may pose a negative impact on the environment and human health. It should be handed over to an authorized WEEE collection facility for recovery and recycle. Hereafter you will be helping effective utilization of natural resources. For more information on disposal of WEEE products, please contact your local municipality, waste management bureau or household waste disposal service.

Wireless Video Microphone

**■ Wool cover installation instruction**  
Align the plastic buckle of the wool cover with the groove of the transmitter, insert it and then rotate 90° clockwise.



**■ Safety Instructions**  
To avoid electric shock, overheating, fire, radiation, explosion, mechanical risk and injury or property loss due to improper use, please read and observe the following items before use:  
1. Please check if the power of the connected equipment matches with that of this product before operation. Adjust the volume to proper level during operation. Do not operate at over-power or high-volume level for extended time to avoid product malfunction or hearing impairment.  
2. If there is any abnormality during use (e.g., smoke, strange odor), please kill the power switch and unplug from power source, then send the product to the local dealer for repair.  
3. Keep this product and its accessories in a dry and ventilated area. Do not store in a humid or dusty area for extended time. Keep away from fire, rain, liquid intrusion, bumping, throwing, vibrating or from blocking any ventilation openings, to prevent malfunction.  
4. Please abide by safety rules during operation. Do not use the product in places prohibited by laws or regulations to avoid accident.  
5. Do not disassemble or repair the product by yourself to avoid injury, if you have any questions or require any services, please contact our local dealer.

Note: This equipment has been tested and found to comply with the limits for a Class B digital device, pursuant to Part 15 of the FCC Rules. These limits are designed to provide reasonable protection against harmful interference in a residential installation. This equipment generates, uses, and can radiate radio frequency energy, and if not installed and used in accordance with the instructions, may cause harmful interference to radio communications. However, there is no guarantee that interference will not occur in a particular installation. If this equipment does cause harmful interference to radio or television reception, which can be determined by turning the equipment off and on, the user is encouraged to try to correct the interference by one or more of the following measures:  
- Reorient or relocate the receiving antenna.  
- Increase the separation between the equipment and receiver.  
- Connect the equipment into an outlet on a circuit different from that to which the receiver is connected.  
- Consult the dealer or an experienced radio/TV technician for help.

Wireless Video Microphone

**■ Foreword**  
Thank you for choosing our wireless camera microphone. In order to better understand the use of this product, it is recommended that you read this manual carefully before use.

**■ Features**  
Original wiring connector, no more worry about iOS ecosystem, and safe to use.  
Three-in-one universal receiver, lighter design, compact and convenient. Compatible with cameras and mobile phones and others.  
2.4G wireless transmission technology, stable transmission distance can be up to 120M.  
Real-time monitoring, free switching of three volume levels.  
Three noise reduction modes can be switched freely, to meet accurate pickup in any complex environment.  
Support TF card local audio storage, no more worry about file loss.  
The microphone can be used as a recording pen alone, and the recording can be saved synchronously anytime and anywhere in any environment.  
Microphone and receiver with 3.5 mm cable which is used for camera can last 12 hours continuous interview.  
Equipped with a charging case, the transmitter and receiver are more convenient to store and charge, interviewers.  
The charging case has a large battery of 1000mAh that can be recharged, which is the first choice for travel and make a Live.

**■ Applications**  
Live, Vlog, Video-shooting, Interview and others.

**■ Packing List**  
Charging case (one-to-one receiver).....1PCS  
Microphone transmitter.....1PCS  
3 in 1 Receiver.....1PCS  
Audio cable.....1PCS  
Charging cable.....1PCS  
Windproof.....1PCS  
User manual.....1PCS

AP021C一拖一说明书  
材质: 80g书纸  
尺寸: 142\*98mm  
装订方式: 骑马钉