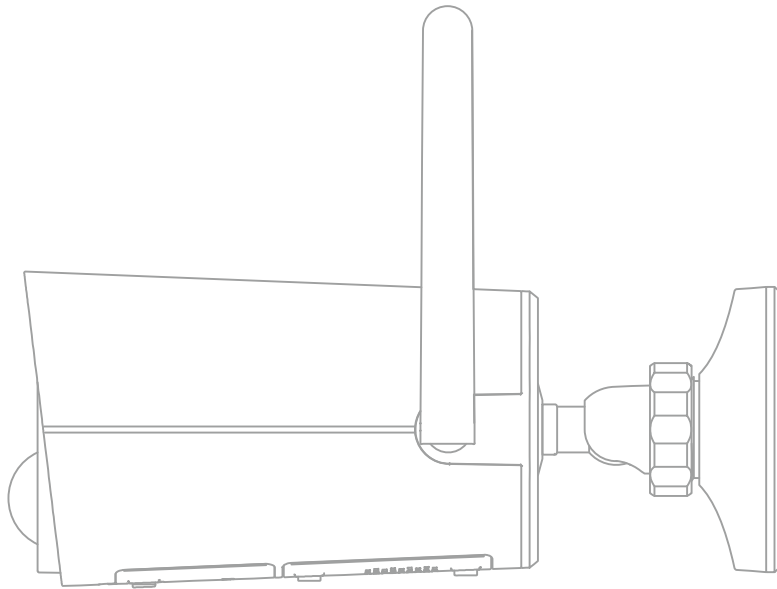


BATTERY CAM

ORIGINALITY DESIGN SMART - AND BEAUTIFUL

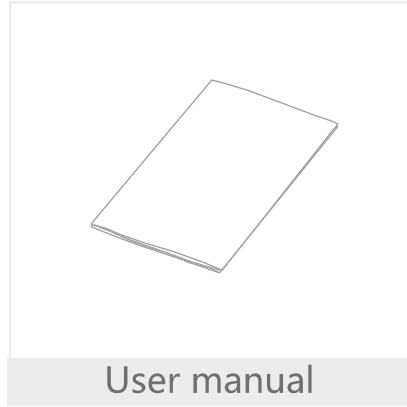
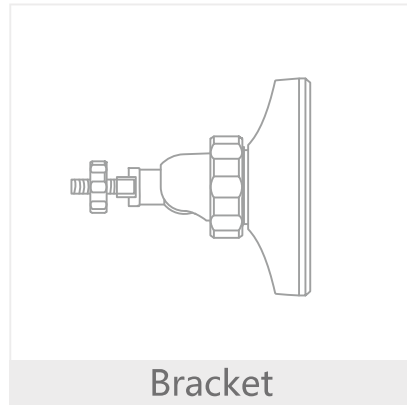
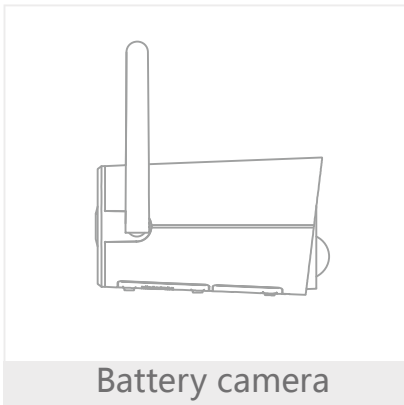


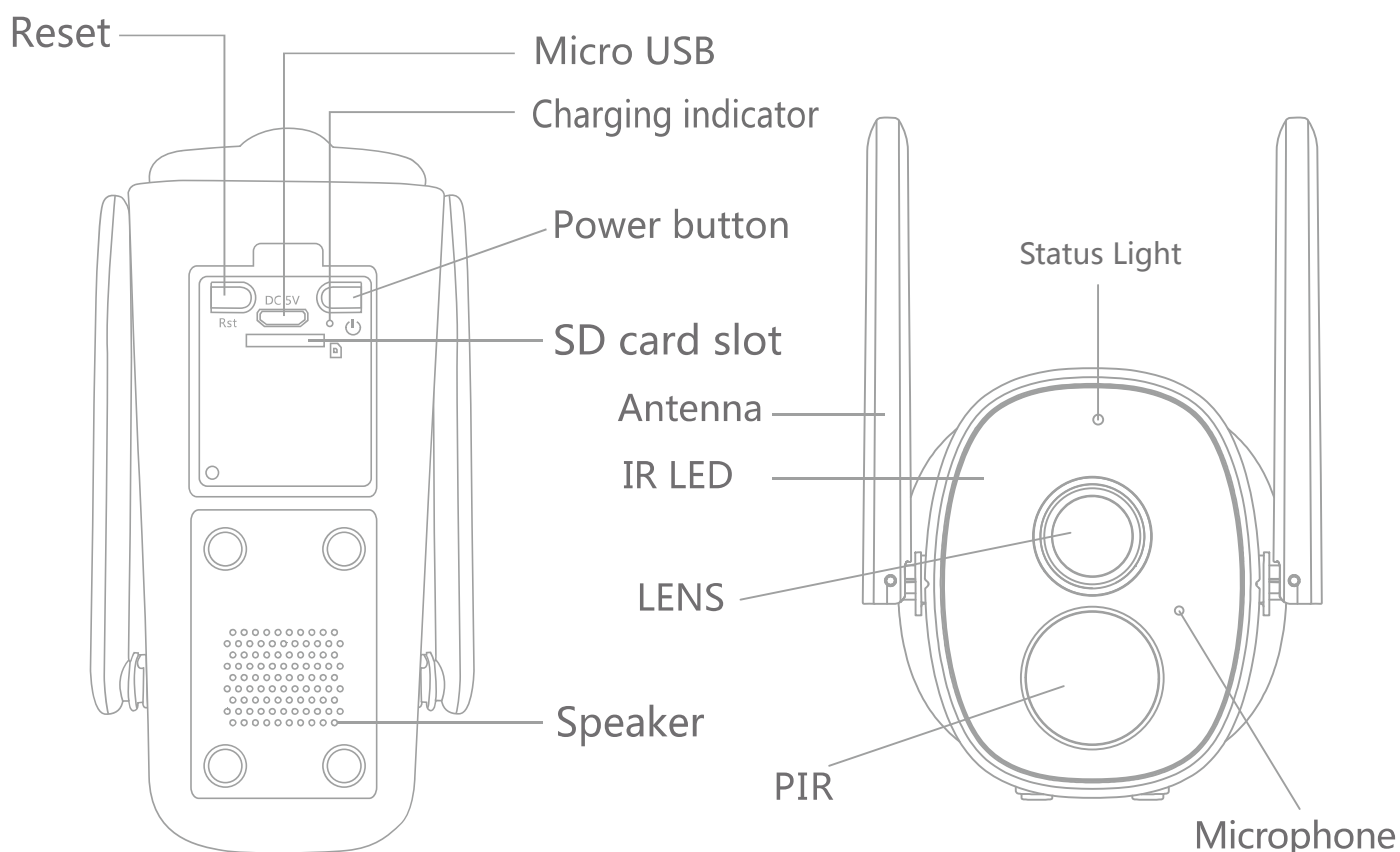
QUICK GUIDE



What's in the box

Please consult this checklist for all parts.





Power port DC 5V±10%

Power on/off Press power button for 3 seconds to turn on/off the camera

Status light

- Solid red light on: the camera is turning on or malfunctional
- Blinking red light: awaiting WiFi connection (slowly blinking)
connecting the WiFi (quickly blinking)
- Blinking blue light: currently connecting
- Solid blue light on: the camera runs correctly

SD card slot Support local SD card storage (Max.128G)

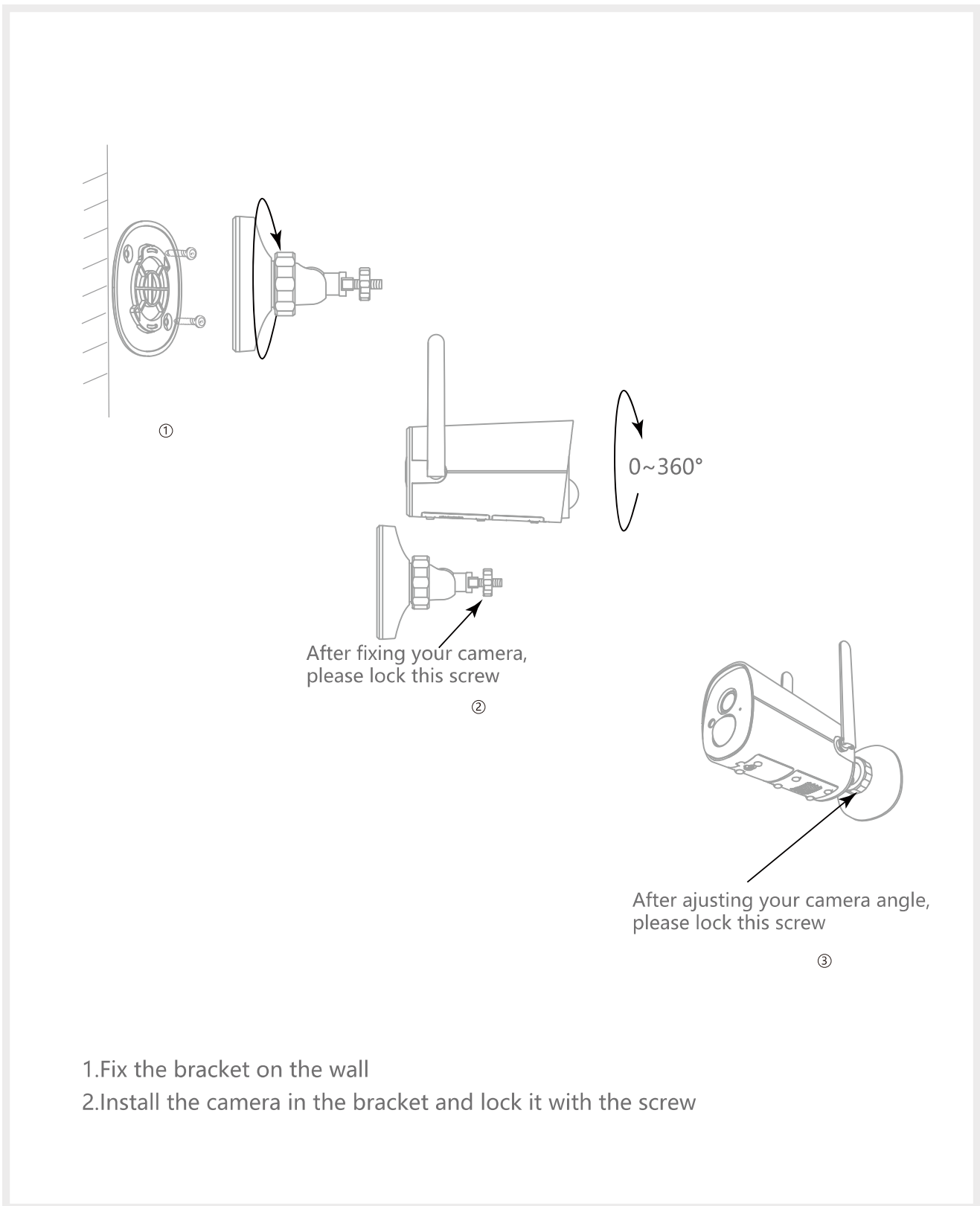
Reset Press and hold on for 5 seconds to reset the camera

Charging indicator

- Solid red indicator on: battery is charging
- Solid blue indicator on: charging completed

Battery capacity 10400mAh (four 18650 lithium-ion batteries)

Mode Bracket Installation



Download

CloudEdge is available for both iOS and Android OS. Search the name 'CloudEdge' in App Store or Google Play, or scan the QR-Code to download the App.

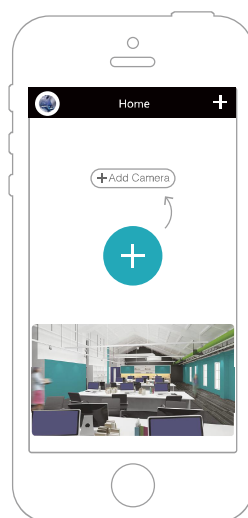
·Support



Download App(iOS&android)

Add device

Log in the CloudEdge, select "Add Device", and add the smart camera to the App according to the screen tips(Make the smart camera close to the router when configuring).



NOTE:if you need to re-select the WiFi network, please press and hold the "RESET" button for 5 seconds, the device will restart, and the indicator will be flashing red.

Q: The device cannot be previewed properly?

A: Check whether the network is normal, you can place the camera close to the router, and if not, it is recommended to reset the device and add it again.

Q: Why is it still in the list of devices after resetting?

A: The reset device only resets the network configuration of the camera, but cannot change the configuration on the App, remove the camera, and must be deleted by the App.

Q: How to cut the camera network to another router?

A: First remove and reset the device on the App and then configure the device again by the App.

Q: Why doesn't the device identify the SD card?

A: It is recommended to plug in SD card after power cut. Confirm whether the SD card is normally available and the format is FAT32. And the TF card can't be identified when the internet environment is not good.

Q: Why I can't get the notifications with my cell phone App?

A: Please confirm that the App has been running on the phone, and the relevant reminder function has been opened; Message notification and authority confirmation in the mobile phone system have been opened.

Remote wake-up

The camera will be in a sleep mode to save power; you can have a preview in App.

Full-duplex audio

You can see and hear the visitor in your App from the camera.

PIR

When the camera detects someone stopping by, it sends an alarm message to your cell phone.

Low battery alarm

When the battery power is lower than your set, the App will send a notification to your mobile phone.

Record

Using SD card or opening the Cloud-Storage Service, to keep recording for every moment.

Day & Night

Powerful night vision means no interruptions, even in complete darkness.



Daytime



Night

FCC WARNING

This device complies with part 15 of the FCC Rules. Operation is subject to the following two conditions: (1) this device may not cause harmful interference, and (2) this device must accept any interference received, including interference that may cause undesired operation.

Any changes or modifications not expressly approved by the party responsible for compliance could void the user's authority to operate the equipment.

NOTE: This equipment has been tested and found to comply with the limits for a Class B digital device, pursuant to Part 15 of the FCC Rules. These limits are designed to provide reasonable protection against harmful interference in a residential installation. This equipment generates, uses and can radiate radio frequency energy and, if not installed and used in accordance with the instructions, may cause harmful interference to radio communications.

However, there is no guarantee that interference will not occur in a particular installation.

If this equipment does cause harmful interference to radio or television reception, which can be determined by turning the equipment off and on, the user is encouraged to try to correct the interference by one or more of the following measures:

- Reorient or relocate the receiving antenna.
- Increase the separation between the equipment and receiver.
- Connect the equipment into an outlet on a circuit different from that to which the receiver is connected.
- Consult the dealer or an experienced radio/TV technician for help.

To maintain compliance with FCC's RF Exposure guidelines, This equipment should be installed and operated with minimum distance between 20cm the radiator your body: Use only the supplied antenna.