

TEST REPORT

Report No.: BCTC2012007647E

Applicant: SHENZHEN BOVISION TECHNOLOGY CO., LTD.

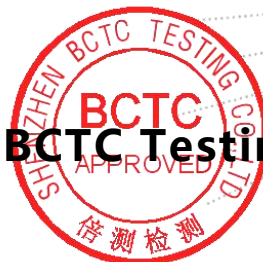
Product Name: battery wifi camera

Model/Type Ref.: BF-A20

Tested Date: 2020-12-22 to 2021-01-05

Issued Date: 2021-01-06

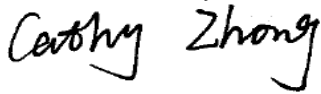
Shenzhen BCTC Testing Co., Ltd.



FCC ID: 2AVKP-BFA20

Product Name: battery wifi camera
Trademark: N/A
Model/Type Ref.: BF-A20
Prepared For: SHENZHEN BOVISION TECHNOLOGY CO., LTD.
Address: 2nd floor, building G, no. 8, shangxue industrial park, bantian street, longgang district, shenzhen China
Manufacturer: SHENZHEN BOVISION TECHNOLOGY CO., LTD.
Address: 2nd floor, building G, no. 8, shangxue industrial park, bantian street, longgang district, shenzhen China
Prepared By: Shenzhen BCTC Testing Co., Ltd.
Address: 1-2/F., Building B, Pengzhou Industrial Park, No.158, Fuyuan 1st Road, Tangwei, Fuhai Subdistrict, Bao'an District, Shenzhen, Guangdong, China
Sample Received Date: 2020-12-22
Sample tested Date: 2020-12-22 to 2021-01-05
Issue Date: 2021-01-06
Report No.: BCTC2012007647E
Test Standards FCC Part15.247
ANSI C63.10-2013
Test Results PASS
Remark: This is WIFI-2.4GHz band radio test report.

Tested by:



Cathy Zhong/ Project Handler

Approved by:



Zero Zhou/Reviewer

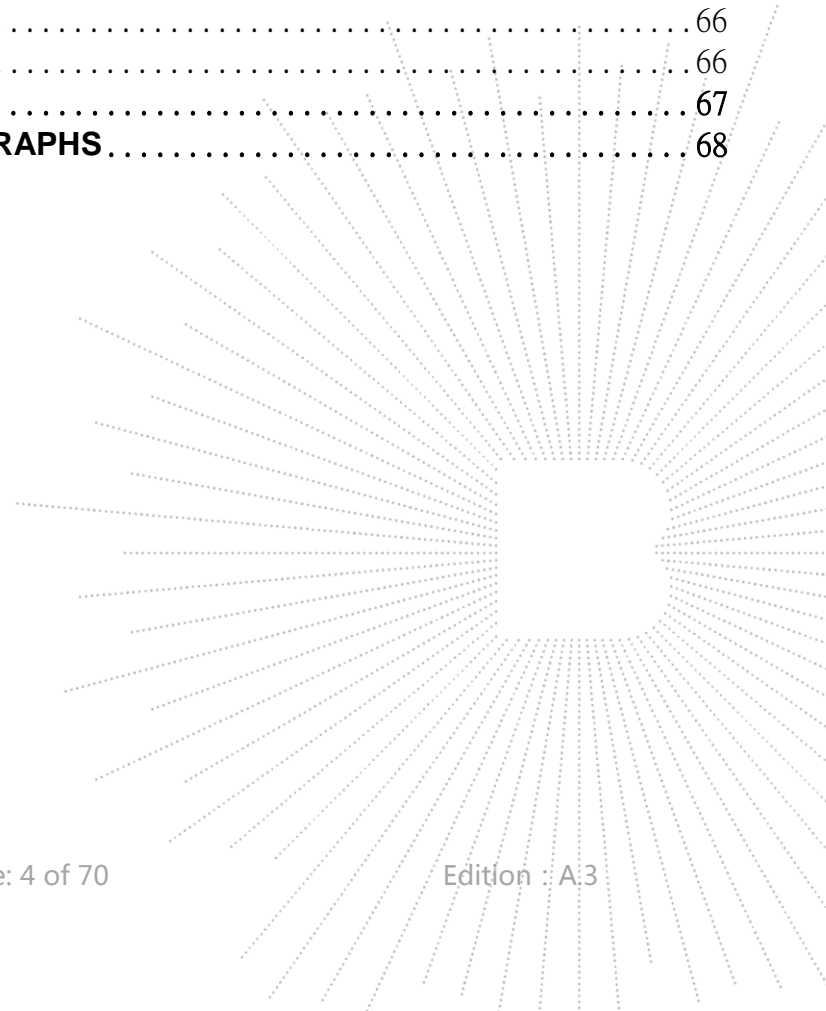
The test report is effective only with both signature and specialized stamp. This result(s) shown in this report refer only to the sample(s) tested. Without written approval of Shenzhen BCTC Testing Co., Ltd, this report can't be reproduced except in full. The tested sample(s) and the sample information are provided by the client.

TABLE OF CONTENT

Test Report Declaration	Page
1. VERSION	5
2. TEST SUMMARY	6
3. MEASUREMENT UNCERTAINTY	7
4. PRODUCT INFORMATION AND TEST SETUP	8
4.1 Product Information	8
4.2 Test Setup Configuration	9
4.3 Support Equipment	9
4.4 Channel List	10
4.5 Test Mode	10
4.6 table of parameters of text software setting	11
5. TEST FACILITY AND TEST INSTRUMENT USED	12
5.1 Test Facility	12
5.2 Test Instrument Used	12
6. CONDUCTED EMISSIONS	14
6.1 Block Diagram Of Test Setup	14
6.2 Limit	14
6.3 Test procedure	14
6.4 EUT operating Conditions	15
6.5 Test Result	16
7. RADIATED EMISSIONS	18
7.1 Block Diagram Of Test Setup	18
7.2 Limit	19
7.3 Test procedure	20
7.4 EUT operating Conditions	22
7.5 Test Result	23
8. RADIATED BAND EMISSION MEASUREMENT AND RESTRICTED BANDS OF OPERATION	30
8.1 Block Diagram Of Test Setup	30
8.2 Limit	30
8.3 Test procedure	31
8.4 EUT operating Conditions	31
8.5 Test Result	32
9. POWER SPECTRAL DENSITY TEST	34
9.1 Block Diagram Of Test Setup	34
9.2 Limit	34
9.3 Test procedure	34
9.4 EUT operating Conditions	34
9.5 Test Result	35
10. BANDWIDTH TEST	43

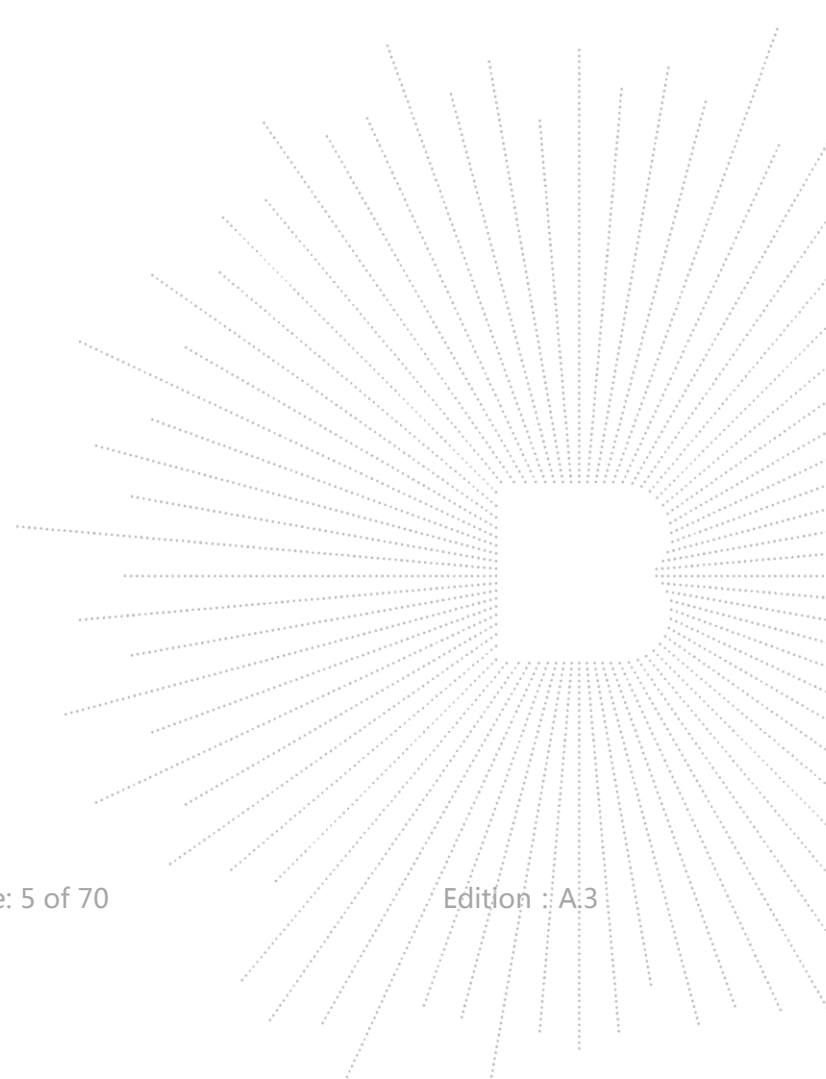
10.1	Block Diagram Of Test Setup	43
10.2	Limit	43
10.3	Test procedure	43
10.4	EUT operating Conditions	43
10.5	Test Result	44
11.	PEAK OUTPUT POWER TEST	52
11.1	Block Diagram Of Test Setup	52
11.2	Limit	52
11.3	Test procedure	52
11.4	EUT operating Conditions	52
11.5	Test Result	53
12.	100 KHZ BANDWIDTH OF FREQUENCY BAND EDGE	54
12.1	Block Diagram Of Test Setup	54
12.2	Limit	54
12.3	Test procedure	54
12.4	EUT operating Conditions	54
12.5	Test Result	55
13.	DUTY CYCLE OF TEST SIGNAL	63
13.1	Standard requirement	63
13.2	Formula	63
13.3	Test procedure	63
13.4	Test Result	63
14.	ANTENNA REQUIREMENT	66
14.1	Limit	66
14.2	Test Result	66
15.	EUT PHOTOGRAPHS	67
16.	EUT TEST SETUP PHOTOGRAPHS	68

(Note: N/A means not applicable)



1. VERSION

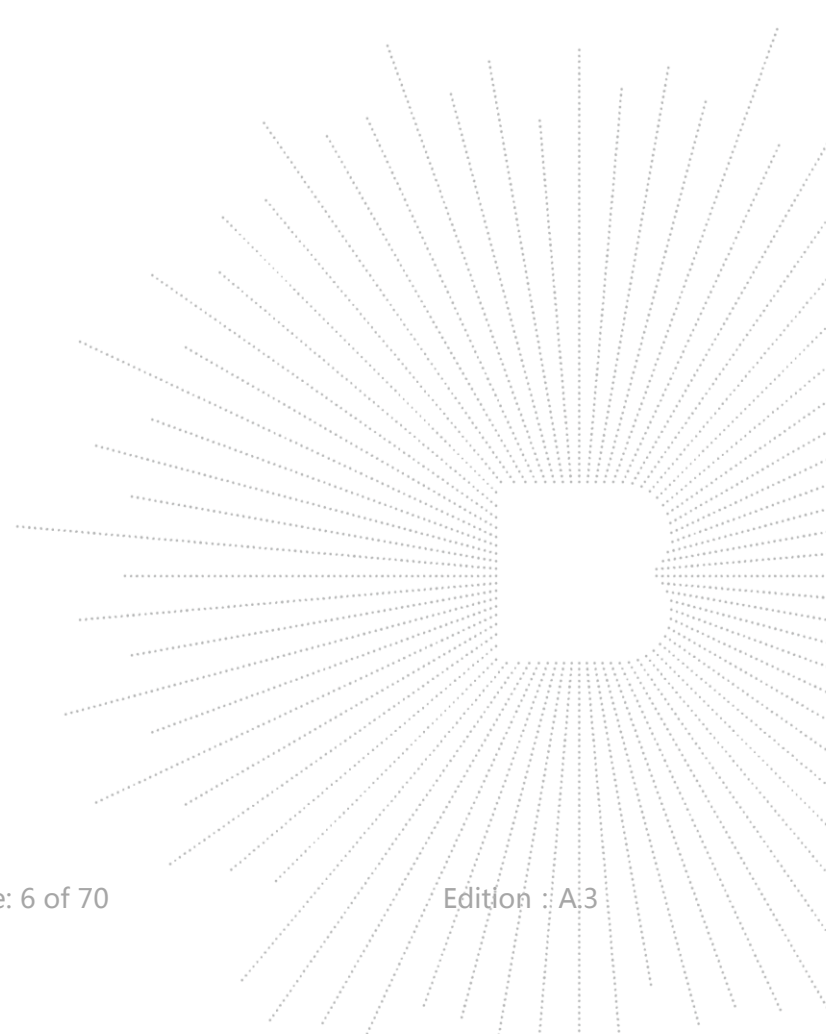
Report No.	Issue Date	Description	Approved
BCTC2012007647E	2021-01-06	Original	Valid



2. TEST SUMMARY

The Product has been tested according to the following specifications:

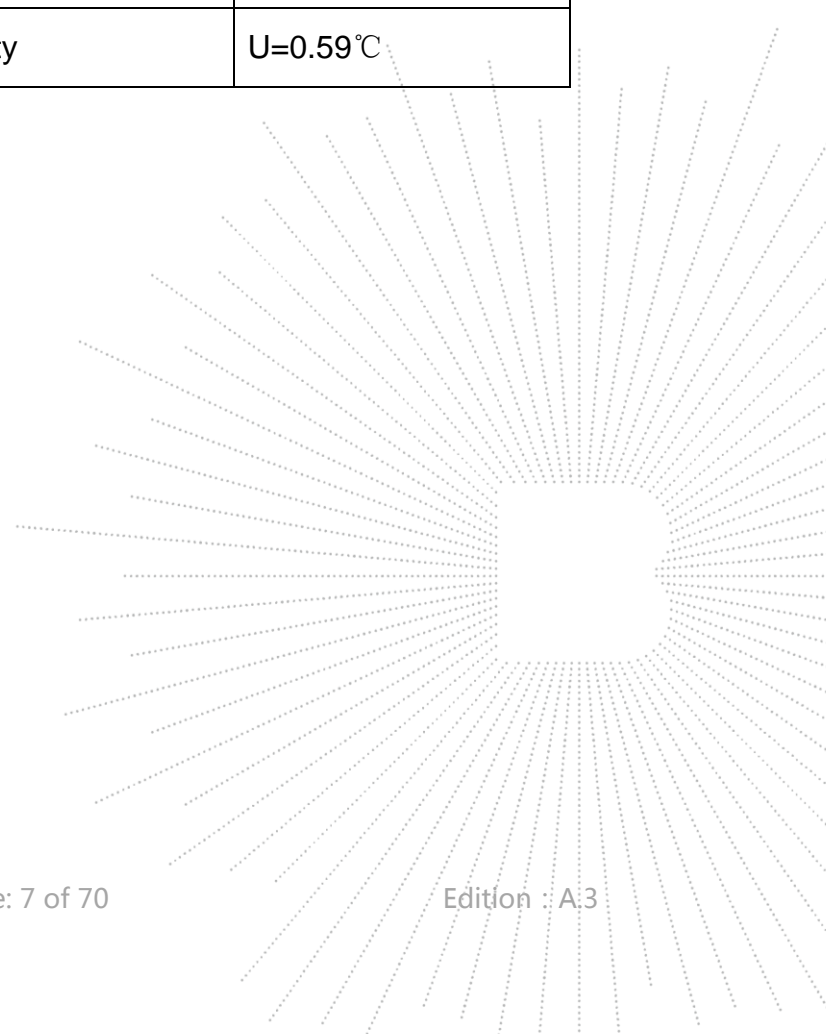
No.	Test Parameter	Clause No	Results
1	Conducted Emission	15.207	PASS
2	6dB Bandwidth	15.247 (a)(2)	PASS
3	Peak Output Power	15.247 (b)	PASS
4	Radiated Spurious Emission	15.247 (d)	PASS
5	Power Spectral Density	15.247 (e)	PASS
6	Restricted Band of Operation	15.205	PASS
7	Band Edge (Out of Band Emissions)	15.247 (d)	PASS
8	Antenna Requirement	15.203	PASS



3. MEASUREMENT UNCERTAINTY

Where relevant, the following measurement uncertainty levels have been estimated for tests performed on the Product as specified in CISPR 16-4-2. This uncertainty represents an expanded uncertainty expressed at approximately the 95% confidence level using a coverage factor of $k=2$.

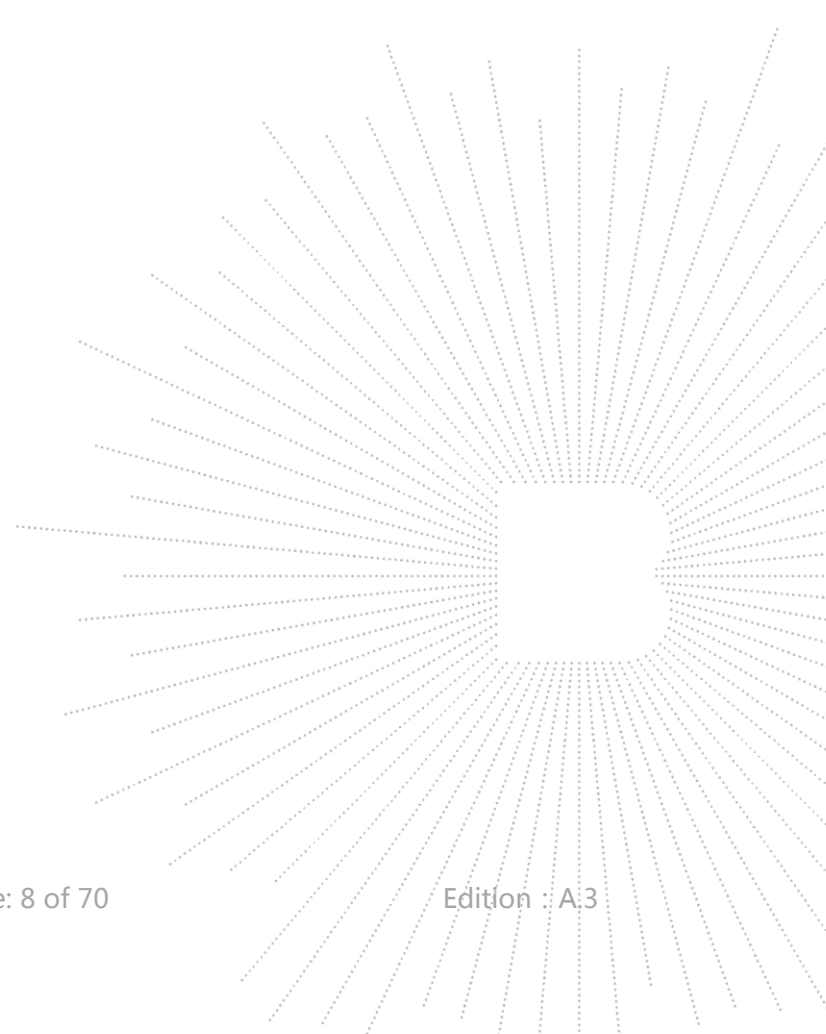
No.	Item	Uncertainty
1	3m chamber Radiated spurious emission(30MHz-1GHz)	U=4.3dB
2	3m chamber Radiated spurious emission(1GHz-18GHz)	U=4.5dB
3	3m chamber Radiated spurious emission(18GHz-40GHz)	U=3.34dB
4	Conducted Adjacent channel power	U=1.38dB
5	Conducted output power uncertainty Above 1G	U=1.576dB
6	Conducted output power uncertainty below 1G	U=1.28dB
7	humidity uncertainty	U=5.3%
8	Temperature uncertainty	U=0.59°C



4. PRODUCT INFORMATION AND TEST SETUP

4.1 Product Information

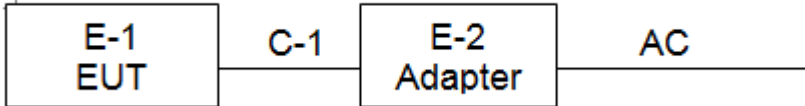
Model/Type Ref.:	BF-A20
Model differences:	N/A
Operation Frequency:	802.11b/g/n20MHz:2412~2462 MHz 802.11n40MHz:2422~2452 MHz
Bit Rate of Transmitter	802.11b:11/5.5/2/1 Mbps 802.11g:54/48/36/24/18/12/9/6Mbps 802.11n Up to 150Mbps
Type of Modulation:	WIFI: OFDM/DSSS
Number Of Channel	802.11b/g/n20MHz:11 CH 802.11n40MHz: 7 CH
Antenna installation:	External antenna
Antenna Gain:	3dBi
Ratings:	DC 5V from adapter DC 3.6V from battery 10.4Ah



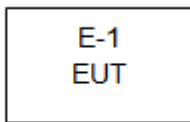
4.2 Test Setup Configuration

See test photographs attached in *EUT TEST SETUP PHOTOGRAPHS* for the actual connections between Product and support equipment.

Conducted Emission:



Radiated Spurious Emission:



4.3 Support Equipment

No.	Device Type	Brand	Model	Series No.	Data Cable	Power Cord
E-1	battery wifi camera	N/A	BF-A20	N/A	EUT	E-1
E-2	Adapter	N/A	BCTC001	N/A	Auxiliary	E-2

Item	Shielded Type	Ferrite Core	Length	Note
C-1	NO	NO	0.4M	DC cable unshielded

Notes:

1. All the equipment/cables were placed in the worst-case configuration to maximize the emission during the test.
2. Grounding was established in accordance with the manufacturer's requirements and conditions for the intended use.

4.4 Channel List

Channel List for 802.11b/g/n(20)					
Channel	Frequency (MHz)	Channel	Frequency (MHz)	Channel	Frequency (MHz)
01	2412	02	2417	03	2422
04	2427	05	2432	06	2437
07	2442	08	2447	09	2452
10	2457	11	2462		

Channel List for 802.11n(40)					
Channel	Frequency (MHz)	Channel	Frequency (MHz)	Channel	Frequency (MHz)
03	2422	04	2427	05	2432
06	2437	07	2442	08	2447
09	2452				

4.5 Test Mode

To investigate the maximum EMI emission characteristics generated from EUT, the test system was pre-scanning tested based on the consideration of following EUT operation mode or test configuration mode which possibly have effect on EMI emission level. Each of these EUT operation mode(s) or test configuration mode(s) mentioned above was evaluated respectively.

Pretest Mode	Description
Mode 1	802.11b CH1/ CH6/ CH11
Mode 2	802.11g CH1/ CH6/ CH11
Mode 3	802.11n20 CH1/ CH6/ CH11
Mode 4	802.11n40 CH3/ CH6/ CH9
Mode 5	Link Mode

Radiated Emission	
Final Test Mode	Description
Mode 5	Link Mode

For Radiated Emission	
Final Test Mode	Description
Mode 1	802.11b CH1/ CH6/ CH11
Mode 2	802.11g CH1/ CH6/ CH11
Mode 3	802.11n20 CH1/ CH6/ CH11
Mode 4	802.11n40 CH3/ CH6/ CH9

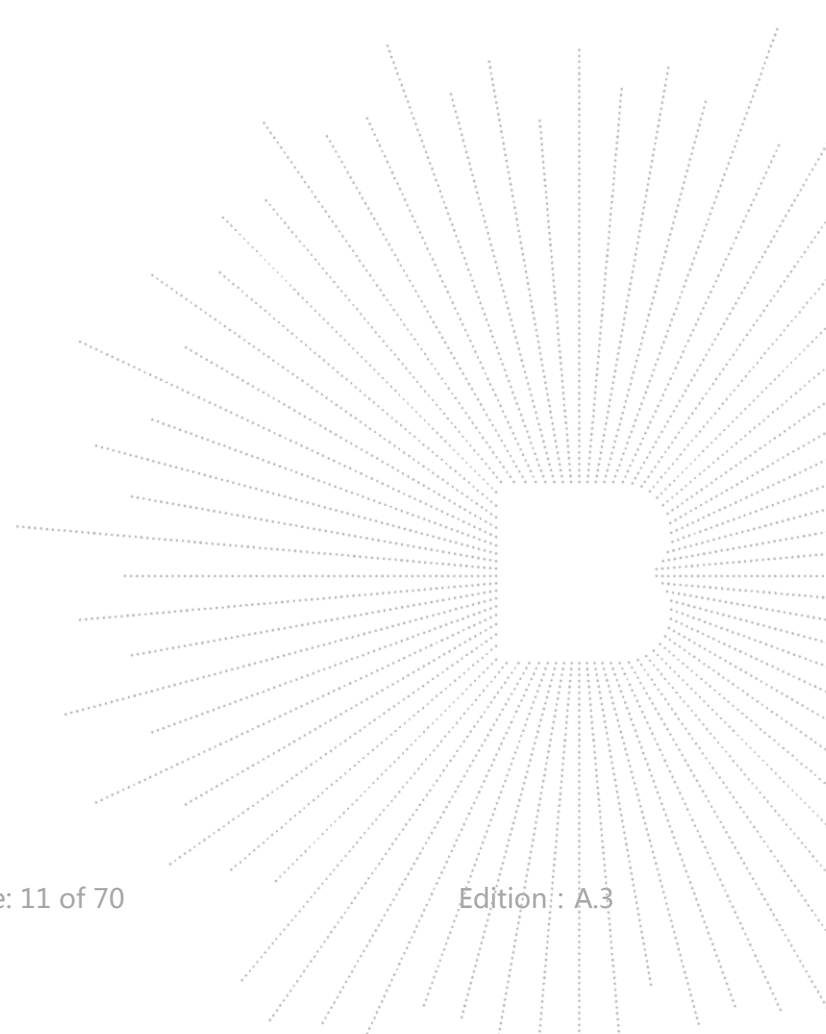
Note:

- (1) The measurements are performed at all Bit Rate of Transmitter, the worst data was reported.

4.6 table of parameters of text software setting

During testing channel & power controlling software provided by the customer was used to control the operating channel as well as the output power level. The RF output power selection is for the setting of RF output power expected by the customer and is going to be fixed on the firmware of the final end product power parameters

Test software Version	CMD		
Frequency	2412 MHz	2437 MHz	2462 MHz
Parameters	DEF	DEF	DEF
Frequency	2422MHz	2437MHz	2452MHz
Parameters	DEF	DEF	DEF



5. TEST FACILITY AND TEST INSTRUMENT USED

5.1 Test Facility

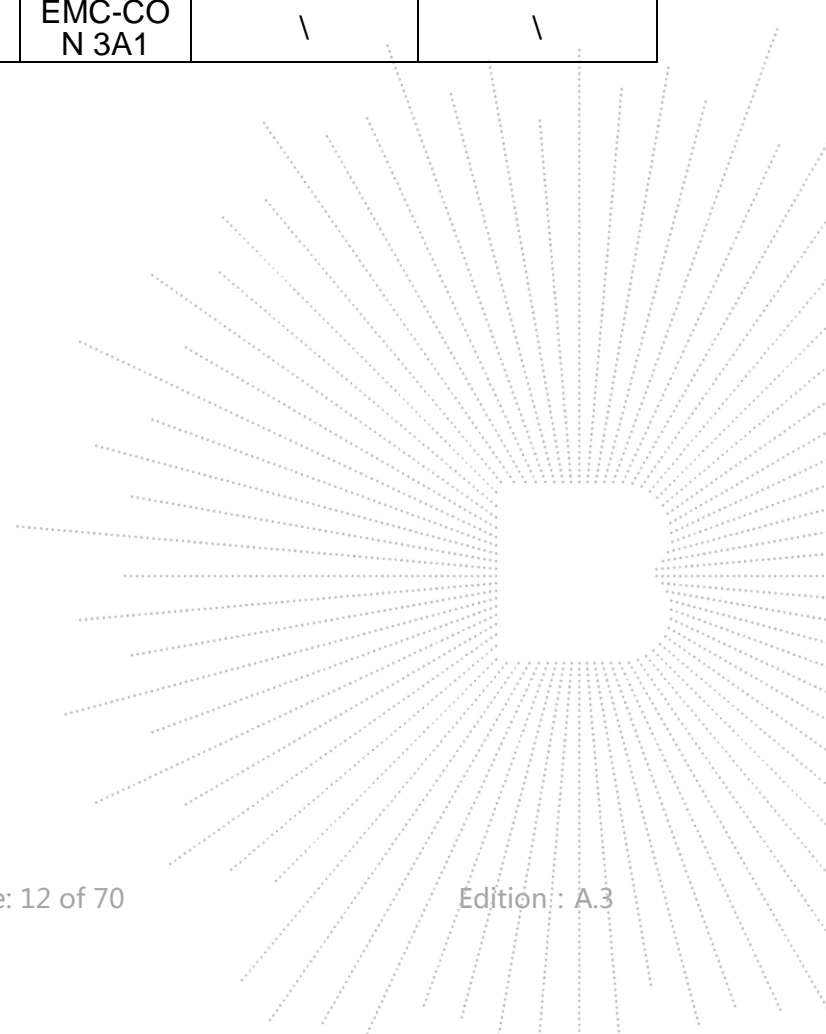
All measurement facilities used to collect the measurement data are located at Shenzhen BCTC Testing Co., Ltd. Address: 1-2/F., Building B, Pengzhou Industrial Park, No.158, Fuyuan 1st Road, Tangwei, Fuhai Subdistrict, Bao'an District, Shenzhen, Guangdong, China. The site and apparatus are constructed in conformance with the requirements of ANSI C63.4 and CISPR 16-1-1 other equivalent standards.

FCC Test Firm Registration Number: 712850

IC Registered No.: 23583

5.2 Test Instrument Used

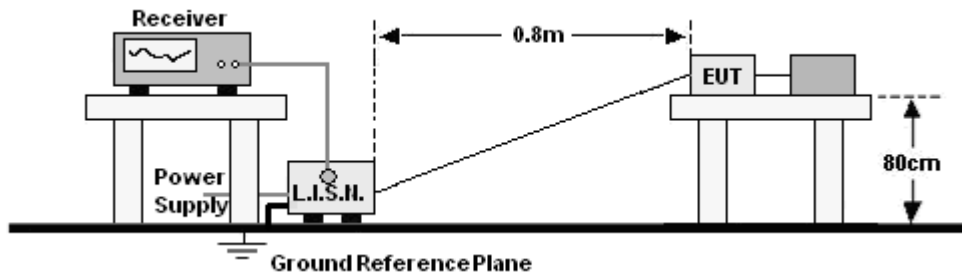
Conducted emissions Test					
Equipment	Manufacturer	Model#	Serial#	Last Cal.	Next Cal.
Receiver	R&S	ESR3	102075	Jun. 08, 2020	Jun. 07, 2021
LISN	R&S	ENV216	101375	Jun. 04, 2020	Jun. 03, 2021
ISN	HPX	ISN T800	S150900 1	Jun. 04, 2020	Jun. 03, 2021
Software	Frad	EZ-EMC	EMC-CO N 3A1	\	\



Radiated emissions Test (966 chamber)					
Equipment	Manufacturer	Model#	Serial#	Last Cal.	Next Cal.
966 chamber	ChengYu	966 Room	966	Jun. 06. 2020	Jun. 05, 2023
Receiver	R&S	ESR3	102075	Jun. 08, 2020	Jun. 07, 2021
Receiver	R&S	ESRP	101154	Jun. 08, 2020	Jun. 07, 2021
Amplifier	Schwarzbeck	BBV9718	9718-309	Jun. 04, 2020	Jun. 03, 2021
Amplifier	Schwarzbeck	BBV9744	9744-0037	Jun. 04, 2020	Jun. 03, 2021
TRILOG Broadband Antenna	schwarzbeck	VULB 9163	VULB9163-942	Jun. 08, 2020	Jun. 07, 2021
Horn Antenna	SCHWARZBECK	BBHA9120 D	1541	Jun. 10, 2020	Jun. 09, 2021
Horn Antenna (18GHz-40 GHz)	SCHWARZBECK	BBHA9170	822	Jun. 10, 2020	Jun. 09, 2021
Amplifier (18GHz-40 GHz)	MITEQ	TTA1840-3 5-HG	2034381	Jun. 08, 2020	Jun. 07, 2021
Loop Antenna (9KHz-30M Hz)	SCHWARZBECK	FMZB1519 B	014	Jun. 08, 2020	Jun. 07, 2021
RF cables1 (9kHz-30MHz)	Huber+Suhnar	9kHz-30M Hz	B1702988-0008	Jun. 08, 2020	Jun. 07, 2021
RF cables2 (30MHz-1G Hz)	Huber+Suhnar	30MHz-1G Hz	1486150	Jun. 08, 2020	Jun. 07, 2021
RF cables3 (1GHz-40G Hz)	Huber+Suhnar	1GHz-40G Hz	1607106	Jun. 08, 2020	Jun. 07, 2021
Power Metter	Keysight	E4419B	\	Jun. 08, 2020	Jun. 07, 2021
Power Sensor (AV)	Keysight	E9 300A	\	Jun. 08, 2020	Jun. 07, 2021
Signal Analyzer 20kHz-26.5 GHz	KEYSIGHT	N9020A	MY491000 60	Jun. 04, 2020	Jun. 03, 2021
Spectrum Analyzer 9kHz-40G Hz	Agilent	FSP40	100363	Jun. 08, 2020	Jun. 07, 2021
Software	Frad	EZ-EMC	FA-03A2 RE	\	\

6. CONDUCTED EMISSIONS

6.1 Block Diagram Of Test Setup



6.2 Limit

FREQUENCY (MHz)	Limit (dBuV)	
	Quas-peak	Average
0.15 -0.5	66 - 56 *	56 - 46 *
0.50 -5.0	56.00	46.00
5.0 -30.0	60.00	50.00

Notes:

- *Decreasing linearly with logarithm of frequency.
- The lower limit shall apply at the transition frequencies.

6.3 Test procedure

Receiver Parameters	Setting
Attenuation	10 dB
Start Frequency	0.15 MHz
Stop Frequency	30 MHz
IF Bandwidth	9 kHz

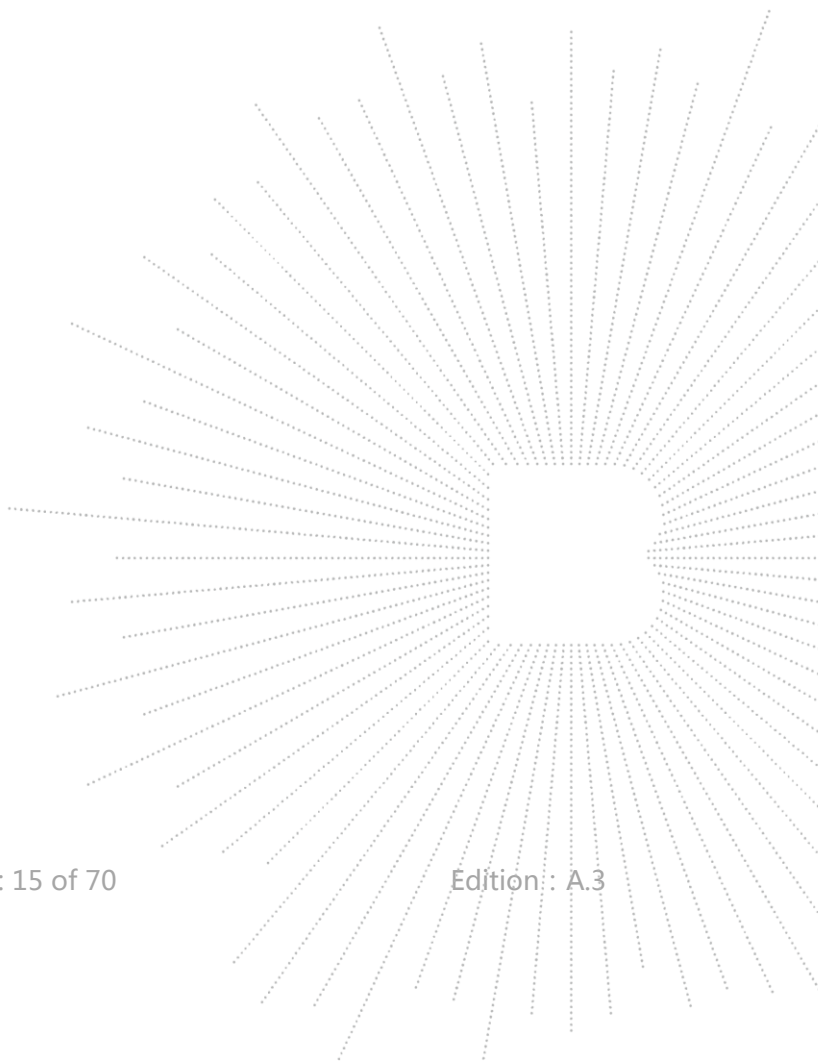
a. The Product was placed on a nonconductive table 0.8 m above the horizontal ground reference plane, and 0.4 m from the vertical ground reference plane, and connected to the main through Line Impedance Stability Network (L.I.S.N).

b. The RBW of the receiver was set at 9 kHz in 150 kHz ~ 30MHz with Peak and AVG detector in Max Hold mode. Run the receiver's pre-scan to record the maximum disturbance generated from Product in all power lines in the full band.

c. For each frequency whose maximum record was higher or close to limit, measure its QP and AVG values and record.

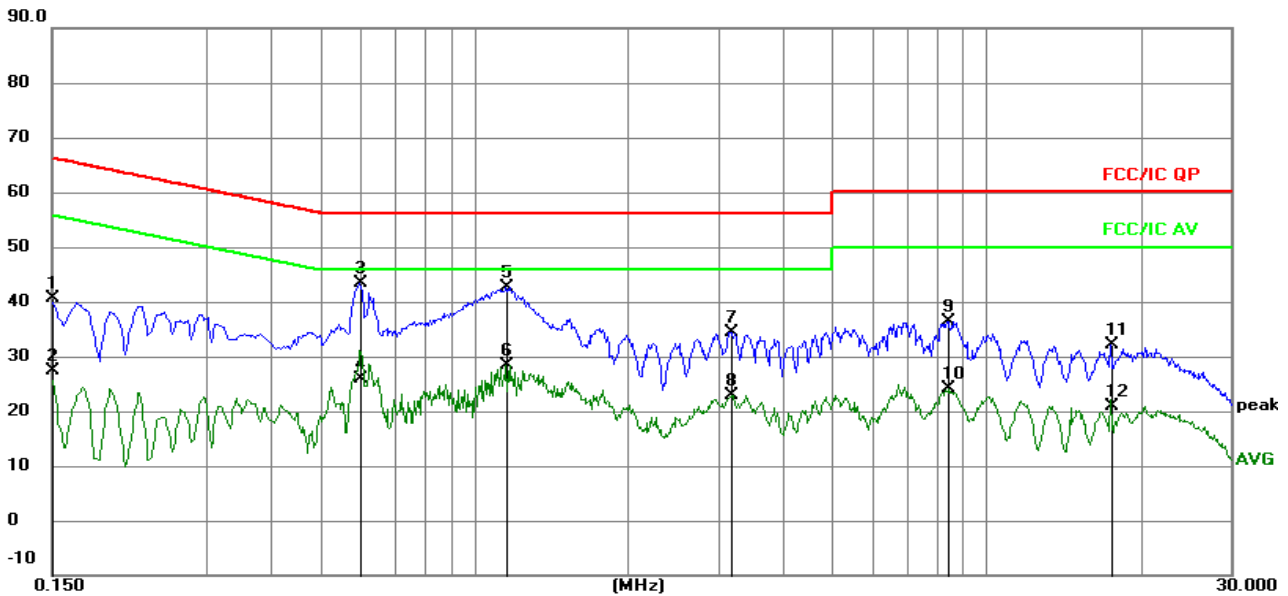
6.4 EUT operating Conditions

The EUT was configured for testing in a typical fashion (as a customer would normally use it). The EUT has been programmed to continuously transmit during test. This operating condition was tested and used to collect the included data.



6.5 Test Result

Temperature :	26 °C	Relative Humidity :	54%
Pressure :	101kPa	Phase :	L
Test Voltage :	AC 120V/60Hz	Test Mode :	Mode 5

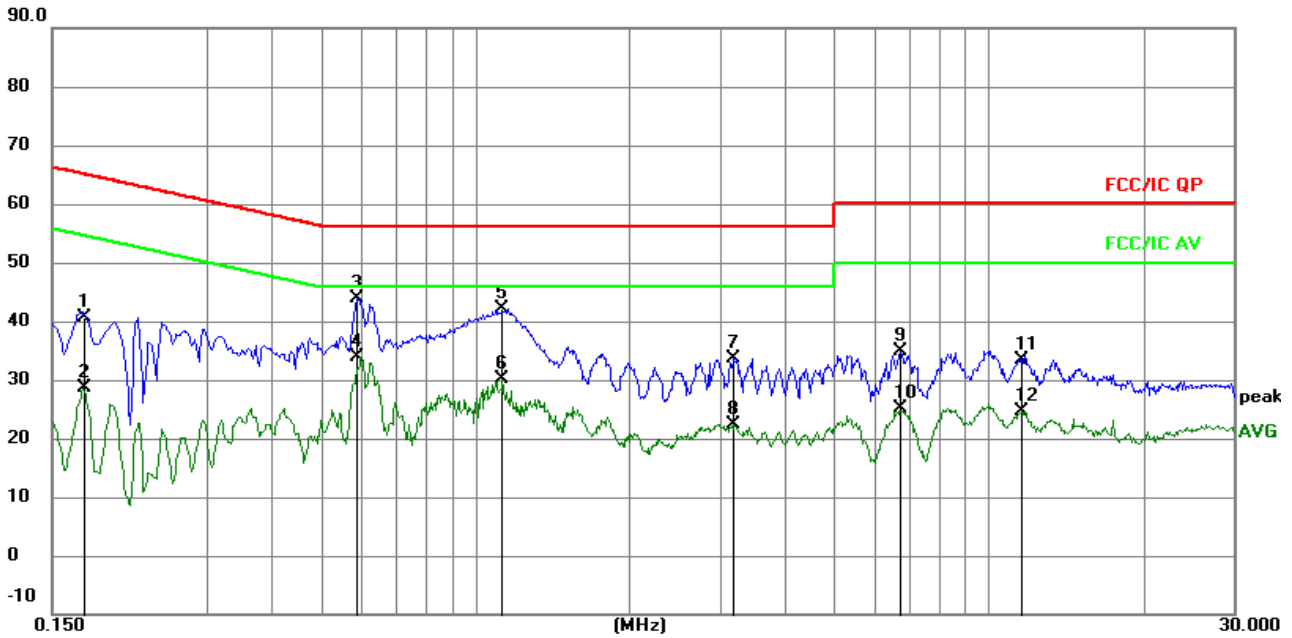


Remark:

1. All readings are Quasi-Peak and Average values.
2. Factor = Insertion Loss + Cable Loss.

No.	Mk.	Freq. MHz	Reading Level	Correct Factor dB	Measure- ment dBuV	Limit dBuV	Over dB	Detector
1		0.1500	31.15	9.52	40.67	66.00	-25.33	QP
2		0.1500	17.86	9.52	27.38	56.00	-28.62	AVG
3	*	0.6000	33.41	10.00	43.41	56.00	-12.59	QP
4		0.6000	16.00	10.00	26.00	46.00	-20.00	AVG
5		1.1580	33.12	9.57	42.69	56.00	-13.31	QP
6		1.1580	18.92	9.57	28.49	46.00	-17.51	AVG
7		3.1740	24.79	9.67	34.46	56.00	-21.54	QP
8		3.1740	13.25	9.67	22.92	46.00	-23.08	AVG
9		8.3985	26.63	9.71	36.34	60.00	-23.66	QP
10		8.3985	14.43	9.71	24.14	50.00	-25.86	AVG
11		17.5560	22.31	9.75	32.06	60.00	-27.94	QP
12		17.5560	11.09	9.75	20.84	50.00	-29.16	AVG

Temperature :	26 °C	Relative Humidity :	54%
Pressure :	101kPa	Phase :	N
Test Voltage :	AC 120V/60Hz	Test Mode :	Mode 5


Remark:

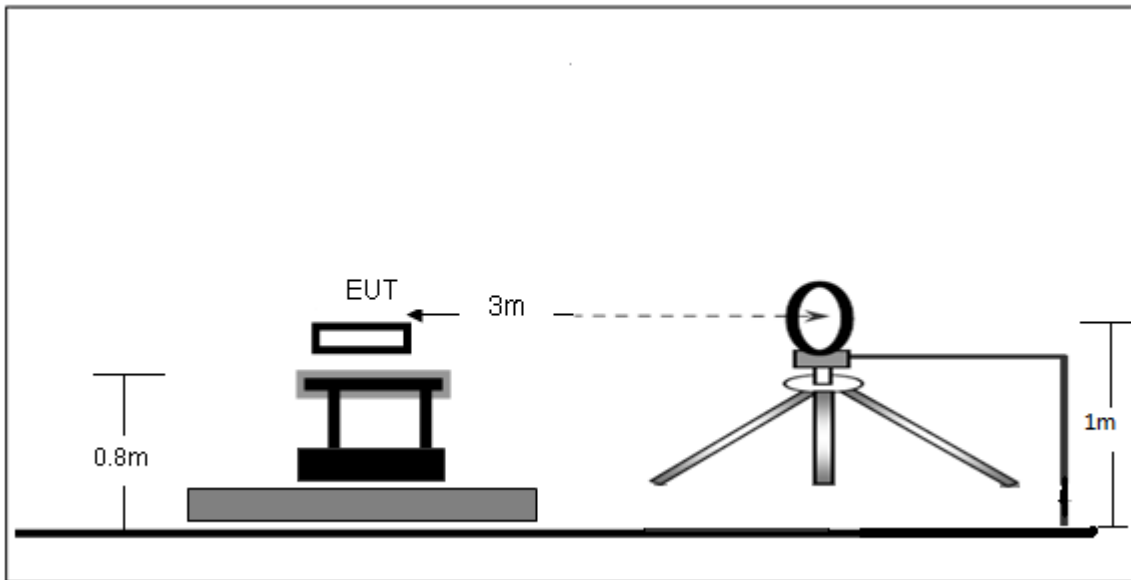
1. All readings are Quasi-Peak and Average values.
2. Factor = Insertion Loss + Cable Loss.

No.	Mk.	Freq. MHz	Reading Level	Correct Factor	Measure- ment dBuV	Limit dBuV	Over dB	Detector
1		0.1722	31.13	9.49	40.62	64.85	-24.23	QP
2		0.1722	19.20	9.49	28.69	54.85	-26.16	AVG
3		0.5885	33.83	9.95	43.78	56.00	-12.22	QP
4	*	0.5885	24.02	9.95	33.97	46.00	-12.03	AVG
5		1.1292	32.47	9.57	42.04	56.00	-13.96	QP
6		1.1292	20.48	9.57	30.05	46.00	-15.95	AVG
7		3.1731	23.97	9.67	33.64	56.00	-22.36	QP
8		3.1731	12.67	9.67	22.34	46.00	-23.66	AVG
9		6.7333	25.08	9.73	34.81	60.00	-25.19	QP
10		6.7333	15.28	9.73	25.01	50.00	-24.99	AVG
11		11.6208	23.70	9.69	33.39	60.00	-26.61	QP
12		11.6208	14.98	9.69	24.67	50.00	-25.33	AVG

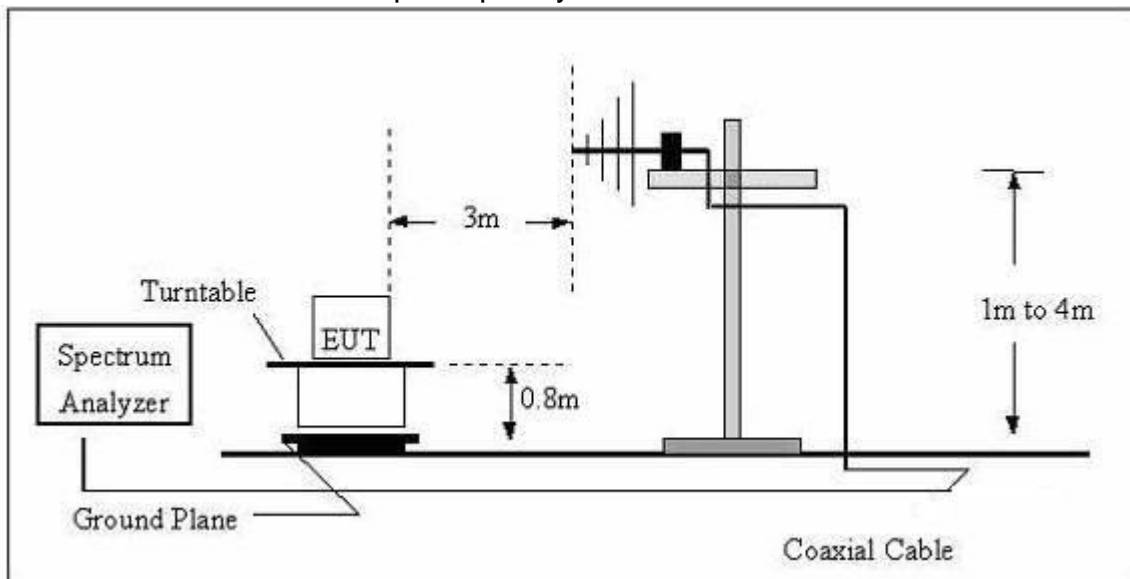
7. RADIATED EMISSIONS

7.1 Block Diagram Of Test Setup

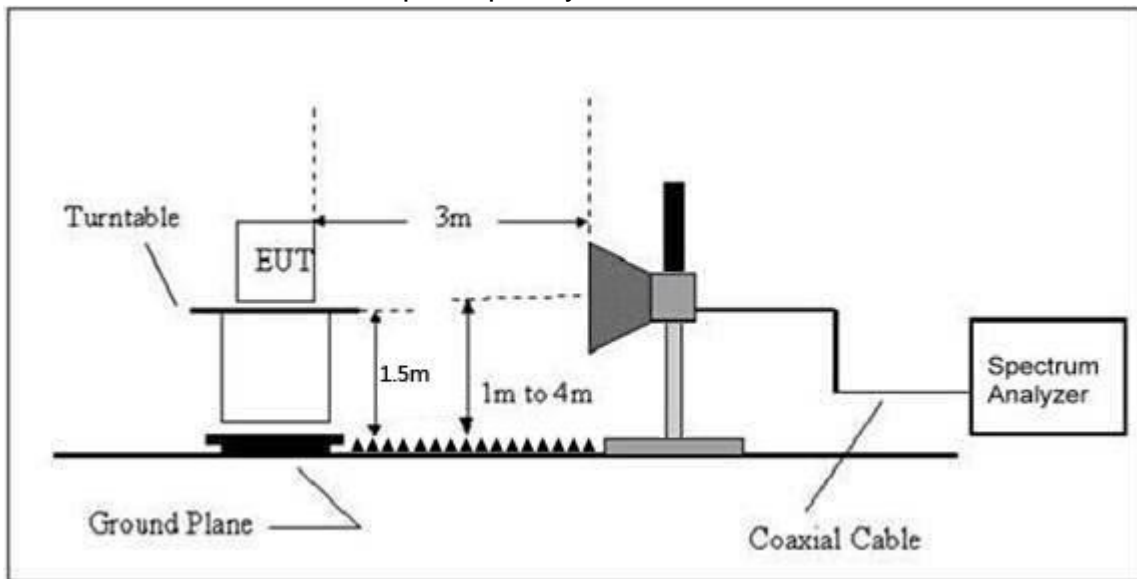
(A) Radiated Emission Test-Up Frequency Below 30MHz



(B) Radiated Emission Test-Up Frequency 30MHz~1GHz



(C) Radiated Emission Test-Up Frequency Above 1GHz



7.2 Limit

20dBc in any 100 kHz bandwidth outside the operating frequency band. In case the emission fall within the restricted band specified on 15.205(a), then the 15.209(a) limit in the table below has to be followed.

Frequency (MHz)	Field Strength uV/m	Distance (m)	Field Strength Limit at 3m Distance	
			uV/m	dBuV/m
0.009 ~ 0.490	2400/F(kHz)	300	$10000 * 2400/F(\text{kHz})$	$20\log^{(2400/F(\text{kHz}))} + 80$
0.490 ~ 1.705	24000/F(kHz)	30	$100 * 24000/F(\text{kHz})$	$20\log^{(24000/F(\text{kHz}))} + 40$
1.705 ~ 30	30	30	$100 * 30$	$20\log^{(30)} + 40$
30 ~ 88	100	3	100	$20\log^{(100)}$
88 ~ 216	150	3	150	$20\log^{(150)}$
216 ~ 960	200	3	200	$20\log^{(200)}$
Above 960	500	3	500	$20\log^{(500)}$

LIMITS OF RADIATED EMISSION MEASUREMENT (Above 1000MHz)

FREQUENCY (MHz)	Limit (dBuV/m) (at 3M)	
	PEAK	AVERAGE
Above 1000	74	54

Notes:

- (1) The limit for radiated test was performed according to FCC PART 15C.
- (2) The tighter limit applies at the band edges.
- (3) Emission level (dBuV/m) = $20\log$ Emission level (uV/m).

FREQUENCY RANGE OF RADIATED MEASUREMENT (For unintentional radiators)

Highest frequency generated or Upper frequency of measurement used in the device or on which the device operates or tunes (MHz)	Range (MHz)
Below 1.705	30
1.705 – 108	1000
108 – 500	2000
500 – 1000	5000
Above 1000	5 th harmonic of the highest frequency or 40 GHz, whichever is lower

7.3 Test procedure

Receiver Parameter	Setting
Attenuation	Auto
9kHz~150kHz	RBW 200Hz for QP
150kHz~30MHz	RBW 9kHz for QP
30MHz~1000MHz	RBW 120kHz for QP

Spectrum Parameter	Setting
1-25GHz	RBW 1 MHz /VBW 1 MHz for Peak, RBW 1 MHz / VBW 10Hz for Average

Below 1GHz test procedure as below:

- a. The EUT was placed on the top of a rotating table 0.8 meters above the ground at a 3 meter semi-anechoic chamber. The table was rotated 360 degrees to determine the position of the highest radiation.
- b. The EUT was set 3 meters away from the interference-receiving antenna, which was mounted on the top of a variable-height antenna tower.
- c. The antenna height is varied from one meter to four meters above the ground to determine the maximum value of the field strength. Both horizontal and vertical polarizations of the antenna are set to make the measurement.
- d. For each suspected emission, the EUT was arranged to its worst case and then the antenna was tuned to heights from 1 meter to 4 meters (for the test frequency of below 30MHz, the antenna was tuned to heights 1 meter) and the rotatable table was turned from 0 degrees to 360 degrees to find the maximum reading.
- e. The test-receiver system was set to Peak Detect Function and Specified Bandwidth with Maximum Hold Mode.

f. If the emission level of the EUT in peak mode was 10dB lower than the limit specified, then testing could be stopped and the peak values of the EUT would be reported. Otherwise the emissions that did not have 10dB margin would be re-tested one by one using peak, quasi-peak or average method as specified and then reported in a data sheet.

Above 1GHz test procedure as below:

g. Different between above is the test site, change from Semi- Anechoic Chamber to fully Anechoic Chamber and change form table 0.8 metre to 1.5 metre(Above 18GHz the distance is 1 meter and table is 1.5 metre).

h. Test the EUT in the lowest channel ,the middle channel ,the Highest channel.

Note:

Both horizontal and vertical antenna polarities were tested and performed pretest to three orthogonal axis. The worst case emissions were reported.

Above 1GHz test procedure as below:

a.The EUT was placed on the top of a rotating table 1.5 meters above the ground at a 3 meter camber. The table was rotated 360 degrees to determine the position of the highest radiation.

b.The EUT was set 3 meters away from the interference-receiving antenna, which was mounted on the top of a variable-height antenna tower.

c.The antenna height is varied from one meter to four meters above the ground to determine the maximum value of the field strength. Both horizontal and vertical polarizations of the antenna are set to make the measurement.

d.For each suspected emission, the EUT was arranged to its worst case and then the antenna was tuned to heights from 1 meter to 4 meters and the rota table was turned from 0 degrees to 360 degrees to find the maximum reading.

e.The test-receiver system was set to Peak Detect Function and Specified Bandwidth with Maximum Hold Mode.

f. If the emission level of the EUT in peak mode was 10dB lower than the limit specified, then testing could be stopped and the peak values of the EUT would be reported. Otherwise the emissions that did not have 10dB margin would be re-tested one by one using peak, quasi-peak or average method as specified and then reported in a data sheet.

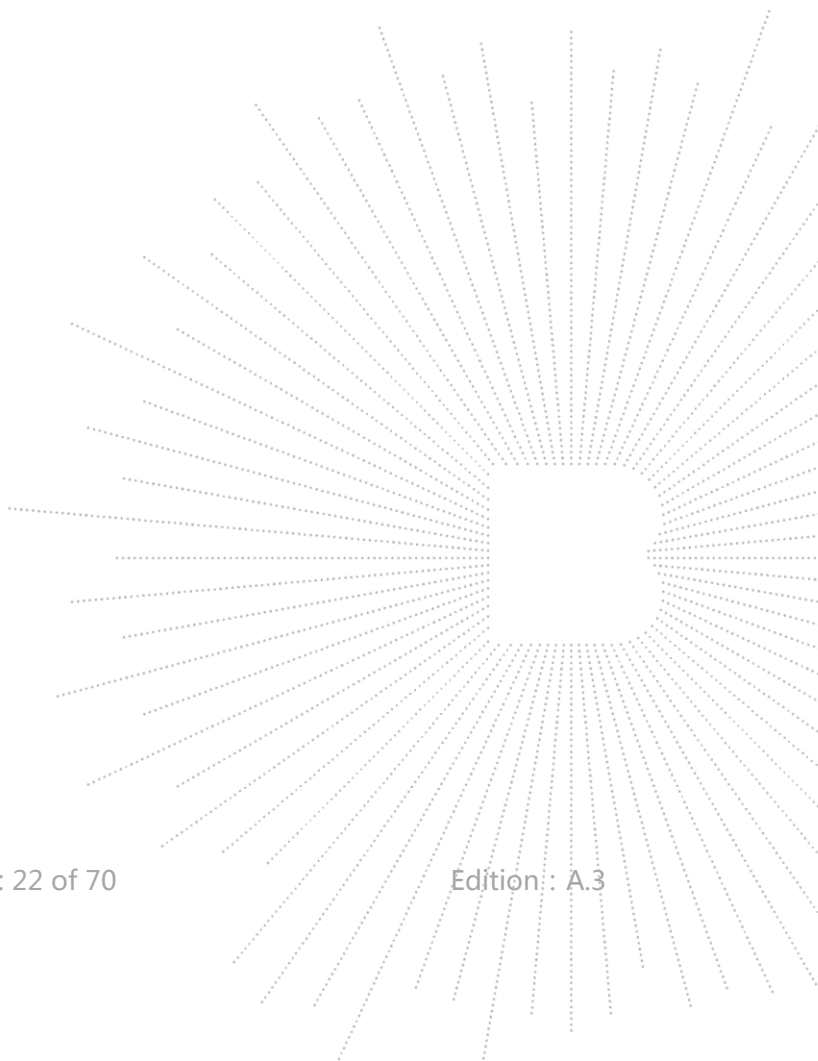
g.Test the EUT in the lowest channel,the Highest channel.

Note:

Both horizontal and vertical antenna polarities were tested and performed pretest to three orthogonal axis. The worst case emissions were reported.

7.4 EUT operating Conditions

The EUT was configured for testing in a typical fashion (as a customer would normally use it). The EUT has been programmed to continuously transmit during test. This operating condition was tested and used to collect the included data.



7.5 Test Result

Below 30MHz

Temperature:	26°C	Relative Humidity:	54%
Pressure:	101 kPa	Test Voltage :	DC 3.6V
Test Mode :	Mode 5	Polarization :	--

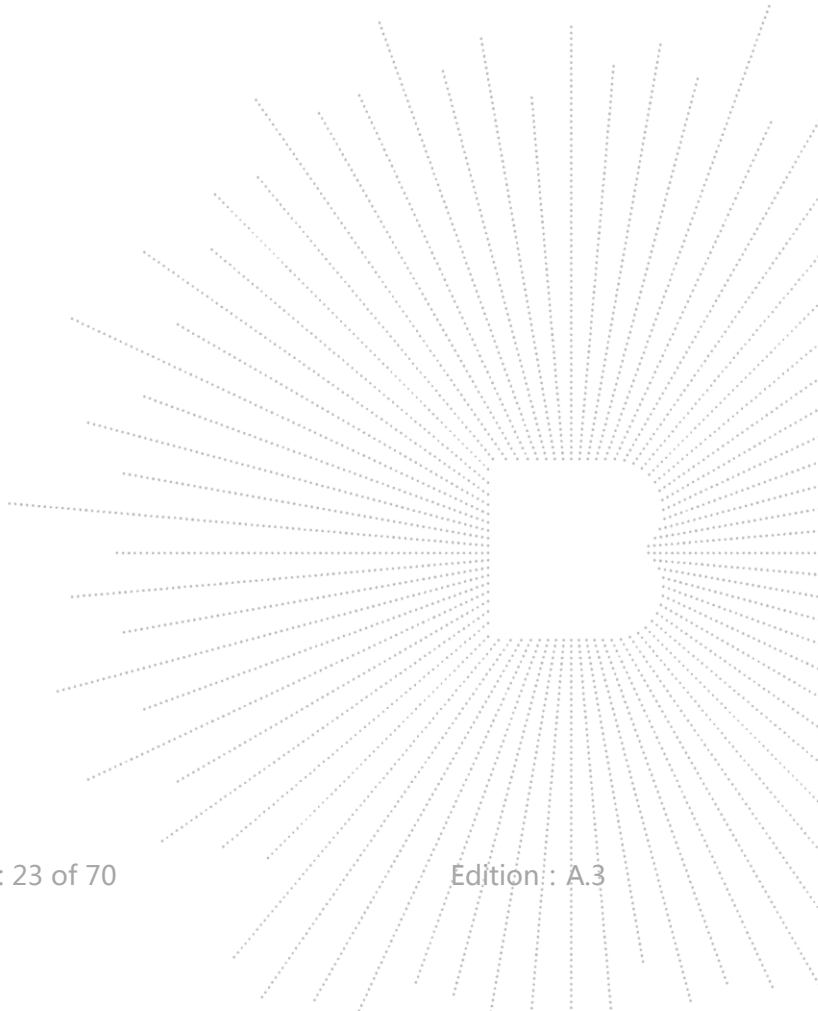
Freq. (MHz)	Reading (dBuV/m)	Limit (dBuV/m)	Margin (dB)	State P/F
--	--	--	--	PASS
--	--	--	--	PASS

Note:

The amplitude of spurious emissions which are attenuated by more than 20dB below the permissible value has no need to be reported.

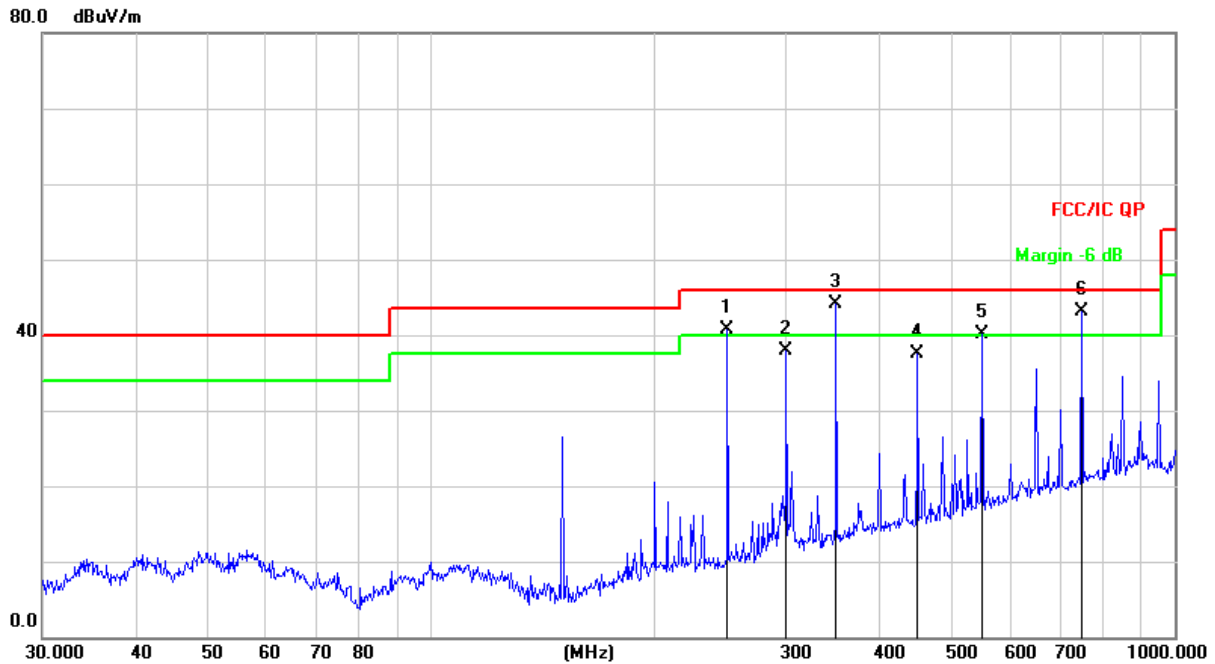
Distance extrapolation factor = $40 \log (\text{specific distance}/\text{test distance})(\text{dB})$;

Limit line = specific limits(dBuv) + distance extrapolation factor.



Between 30MHz – 1GHz

Temperature:	26°C	Relative Humidity:	54%
Pressure:	101 kPa	Test Voltage :	DC 3.6V
Test Mode :	Mode 5	Polarization :	Horizontal

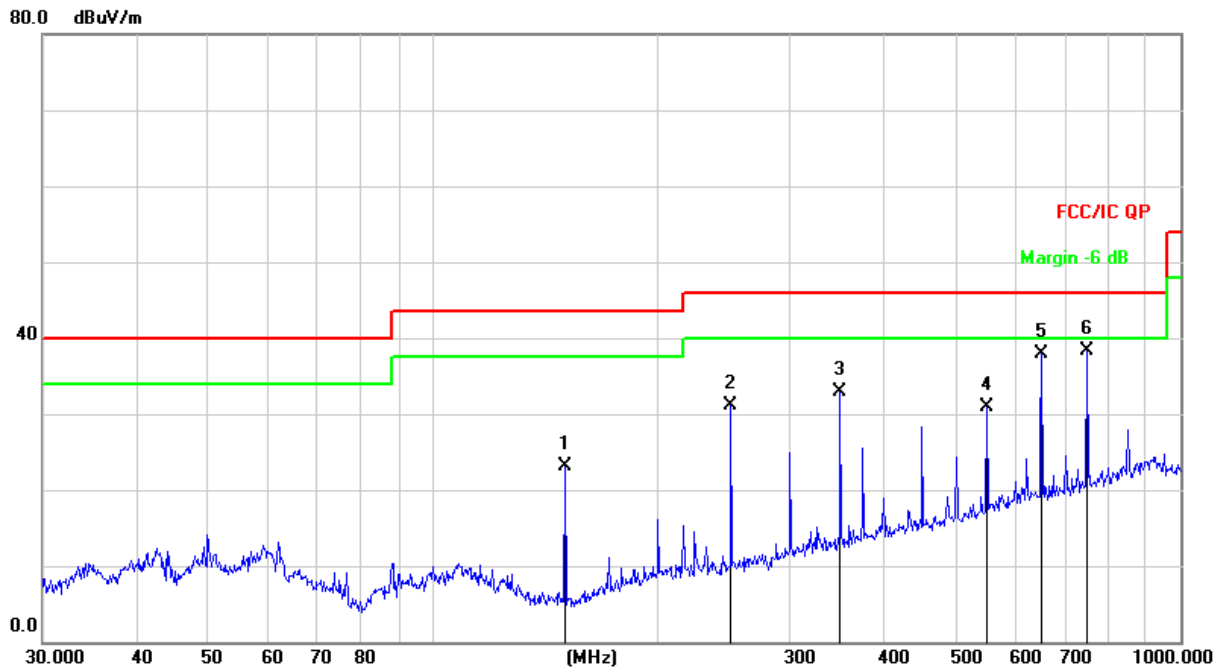


Remark:

Factor = Antenna Factor + Cable Loss – Pre-amplifier.

No.	Mk.	Freq. MHz	Reading Level dBuV	Correct Factor dB	Measure- ment dBuV/m	Limit dB/m	Over dB	Detector
1	!	250.3012	54.91	-14.22	40.69	46.00	-5.31	QP
2		300.3672	50.37	-12.39	37.98	46.00	-8.02	QP
3	*	350.4768	55.21	-11.06	44.15	46.00	-1.85	QP
4		451.1350	46.18	-8.60	37.58	46.00	-8.42	QP
5	!	550.9480	46.49	-6.29	40.20	46.00	-5.80	QP
6	!	750.1083	45.96	-2.80	43.16	46.00	-2.84	QP

Temperature:	26°C	Relative Humidity:	54%
Pressure:	101 kpa	Test Voltage :	DC 3.6V
Test Mode :	Mode 5	Polarization :	Vertical



Remark:

Factor = Antenna Factor + Cable Loss – Pre-amplifier.

No.	Mk.	Freq.	Reading Level	Correct Factor	Measurement	Limit	Over	Detector
		MHz	dBuV	dB	dBuV/m	dB/m	dB	
1		150.0108	41.89	-18.71	23.18	43.50	-20.32	QP
2		250.3012	45.36	-14.22	31.14	46.00	-14.86	QP
3		350.4768	44.03	-11.06	32.97	46.00	-13.03	QP
4		550.9480	37.21	-6.29	30.92	46.00	-15.08	QP
5		651.9417	42.18	-4.30	37.88	46.00	-8.12	QP
6	*	750.1083	41.10	-2.80	38.30	46.00	-7.70	QP

Between 1GHz – 25GHz
802.11b

Polar (H/V)	Frequency	Reading Level	Correct Factor	Measure- ment	Limits	Over	Detector Type
	(MHz)	(dBuV/m)	(dB)	(dBuV/m)	(dBuV/ m)	(dB)	
Low channel:2412MHz							
V	4824.00	54.33	-0.43	53.90	74.00	-20.10	PK
V	4824.00	45.89	-0.43	45.46	54.00	-8.54	AV
V	7236.00	46.81	8.31	55.12	74.00	-18.88	PK
V	7236.00	37.08	8.31	45.39	54.00	-8.61	AV
H	4804.00	50.92	-0.43	50.49	74.00	-23.51	PK
H	4804.00	40.27	-0.43	39.84	54.00	-14.16	AV
H	7236.00	44.80	8.31	53.11	74.00	-20.89	PK
H	7236.00	37.30	8.31	45.61	54.00	-8.39	AV
Middle channel:2437MHz							
V	4874.00	52.13	-0.38	51.75	74.00	-22.25	PK
V	4874.00	45.43	-0.38	45.05	54.00	-8.95	AV
V	7311.00	44.12	8.83	52.95	74.00	-21.05	PK
V	7311.00	34.76	8.83	43.59	54.00	-10.41	AV
H	4874.00	50.40	-0.38	50.02	74.00	-23.98	PK
H	4874.00	40.98	-0.38	40.60	54.00	-13.40	AV
H	7311.00	41.30	8.83	50.13	74.00	-23.87	PK
H	7311.00	33.04	8.83	41.87	54.00	-12.13	AV
High channel:2462MHz							
V	4924.00	53.96	-0.32	53.64	74.00	-20.36	PK
V	4924.00	45.72	-0.32	45.40	54.00	-8.60	AV
V	7386.00	47.57	9.35	56.92	74.00	-17.08	PK
V	7386.00	37.84	9.35	47.19	54.00	-6.81	AV
H	4924.00	51.96	-0.32	51.64	74.00	-22.36	PK
H	4924.00	42.60	-0.32	42.28	54.00	-11.72	AV
H	7386.00	45.20	9.35	54.55	74.00	-19.45	PK
H	7386.00	36.34	9.35	45.69	54.00	-8.31	AV

Remark:

1. Emission Level = Meter Reading + Factor,
 Factor = Antenna Factor + Cable Loss – Pre-amplifier.
 Over = Emission Level - Limit
2. If peak below the average limit, the average emission was no test.
3. In restricted bands of operation, The spurious emissions below the permissible value more than 20dB
4. The amplitude of spurious emissions which are attenuated by more than 20dB below the permissible value has no need to be reported.
5. All the Modulation are test, the worst mode is 802.11b, the data recording in the report.

802.11g

Polar (H/V)	Frequency	Reading Level	Correct Factor	Measure- ment	Limits	Over	Detector Type
	(MHz)	(dBuV/m)	(dB)	(dBuV/m)	(dBuV/ m)	(dB)	
Low channel:2412MHz							
V	4824.00	54.77	-0.43	54.34	74.00	-19.66	PK
V	4824.00	44.33	-0.43	43.90	54.00	-10.10	AV
V	7236.00	47.56	8.31	55.87	74.00	-18.13	PK
V	7236.00	38.01	8.31	46.32	54.00	-7.68	AV
H	4804.00	52.11	-0.43	51.68	74.00	-22.32	PK
H	4804.00	41.79	-0.43	41.36	54.00	-12.64	AV
H	7236.00	45.15	8.31	53.46	74.00	-20.54	PK
H	7236.00	37.97	8.31	46.28	54.00	-7.72	AV
Middle channel:2437MHz							
V	4874.00	53.30	-0.38	52.92	74.00	-21.08	PK
V	4874.00	45.40	-0.38	45.02	54.00	-8.98	AV
V	7311.00	45.52	8.83	54.35	74.00	-19.65	PK
V	7311.00	37.47	8.83	46.30	54.00	-7.70	AV
H	4874.00	49.41	-0.38	49.03	74.00	-24.97	PK
H	4874.00	39.18	-0.38	38.80	54.00	-15.20	AV
H	7311.00	43.06	8.83	51.89	74.00	-22.11	PK
H	7311.00	35.08	8.83	43.91	54.00	-10.09	AV
High channel:2462MHz							
V	4924.00	55.99	-0.32	55.67	74.00	-18.33	PK
V	4924.00	45.76	-0.32	45.44	54.00	-8.56	AV
V	7386.00	47.94	9.35	57.29	74.00	-16.71	PK
V	7386.00	38.15	9.35	47.50	54.00	-6.50	AV
H	4924.00	53.53	-0.32	53.21	74.00	-20.79	PK
H	4924.00	43.37	-0.32	43.05	54.00	-10.95	AV
H	7386.00	46.40	9.35	55.75	74.00	-18.25	PK
H	7386.00	37.71	9.35	47.06	54.00	-6.94	AV

Remark:

1. Emission Level = Meter Reading + Factor,
Factor = Antenna Factor + Cable Loss – Pre-amplifier.
Over = Emission Level - Limit
2. If peak below the average limit, the average emission was no test.
3. In restricted bands of operation, The spurious emissions below the permissible value more than 20dB
4. The amplitude of spurious emissions which are attenuated by more than 20dB below the permissible value has no need to be reported.
5. All the Modulation are test, the worst mode is 802.11b, the data recording in the report.

802.11n20

Polar (H/V)	Frequency	Reading Level	Correct Factor	Measure- ment	Limits	Over	Detector Type
	(MHz)	(dBuV/m)	(dB)	(dBuV/m)	(dBuV/ m)	(dB)	
Low channel:2412MHz							
V	4824.00	53.49	-0.43	53.06	74.00	-20.94	PK
V	4824.00	43.76	-0.43	43.33	54.00	-10.67	AV
V	7236.00	42.67	8.31	50.98	74.00	-23.02	PK
V	7236.00	32.50	8.31	40.81	54.00	-13.19	AV
H	4804.00	51.00	-0.43	50.57	74.00	-23.43	PK
H	4804.00	41.10	-0.43	40.67	54.00	-13.33	AV
H	7236.00	41.44	8.31	49.75	74.00	-24.25	PK
H	7236.00	33.99	8.31	42.30	54.00	-11.70	AV
Middle channel:2437MHz							
V	4874.00	51.88	-0.38	51.50	74.00	-22.50	PK
V	4874.00	43.11	-0.38	42.73	54.00	-11.27	AV
V	7311.00	44.88	8.83	53.71	74.00	-20.29	PK
V	7311.00	36.00	8.83	44.83	54.00	-9.17	AV
H	4874.00	48.65	-0.38	48.27	74.00	-25.73	PK
H	4874.00	38.74	-0.38	38.36	54.00	-15.64	AV
H	7311.00	43.48	8.83	52.31	74.00	-21.69	PK
H	7311.00	36.04	8.83	44.87	54.00	-9.13	AV
High channel:2462MHz							
V	4924.00	53.73	-0.32	53.41	74.00	-20.59	PK
V	4924.00	44.99	-0.32	44.67	54.00	-9.33	AV
V	7386.00	46.29	9.35	55.64	74.00	-18.36	PK
V	7386.00	37.18	9.35	46.53	54.00	-7.47	AV
H	4924.00	51.83	-0.32	51.51	74.00	-22.49	PK
H	4924.00	41.67	-0.32	41.35	54.00	-12.65	AV
H	7386.00	44.58	9.35	53.93	74.00	-20.07	PK
H	7386.00	35.60	9.35	44.95	54.00	-9.05	AV

Remark:

1. Emission Level = Meter Reading + Factor,
Factor = Antenna Factor + Cable Loss – Pre-amplifier.
Over = Emission Level - Limit
2. If peak below the average limit, the average emission was no test.
3. In restricted bands of operation, The spurious emissions below the permissible value more than 20dB
4. The amplitude of spurious emissions which are attenuated by more than 20dB below the permissible value has no need to be reported.
5. All the Modulation are test, the worst mode is 802.11b, the data recording in the report.

802.11n40

Polar (H/V)	Frequency	Reading Level	Correct Factor	Measure- ment	Limits	Over	Detector Type
	(MHz)	(dBuV/m)	(dB)	(dBuV/m)	(dBuV/ m)	(dB)	
Low channel:2422MHz							
V	4844.00	53.34	-0.43	52.91	74.00	-21.09	PK
V	4844.00	44.61	-0.43	44.18	54.00	-9.82	AV
V	7266.00	45.73	8.31	54.04	74.00	-19.96	PK
V	7266.00	34.76	8.31	43.07	54.00	-10.93	AV
H	4844.00	51.37	-0.43	50.94	74.00	-23.06	PK
H	4844.00	40.75	-0.43	40.32	54.00	-13.68	AV
H	7266.00	43.17	8.31	51.48	74.00	-22.52	PK
H	7266.00	35.93	8.31	44.24	54.00	-9.76	AV
Middle channel:2437MHz							
V	4874.00	52.04	-0.38	51.66	74.00	-22.34	PK
V	4874.00	44.70	-0.38	44.32	54.00	-9.68	AV
V	7311.00	43.15	8.83	51.98	74.00	-22.02	PK
V	7311.00	34.27	8.83	43.10	54.00	-10.90	AV
H	4874.00	49.02	-0.38	48.64	74.00	-25.36	PK
H	4874.00	39.87	-0.38	39.49	54.00	-14.51	AV
H	7311.00	40.41	8.83	49.24	74.00	-24.76	PK
H	7311.00	31.51	8.83	40.34	54.00	-13.66	AV
High channel:2452MHz							
V	4904.00	53.60	-0.32	53.28	74.00	-20.72	PK
V	4904.00	43.04	-0.32	42.72	54.00	-11.28	AV
V	7356.00	46.45	9.35	55.80	74.00	-18.20	PK
V	7356.00	35.62	9.35	44.97	54.00	-9.03	AV
H	4904.00	51.44	-0.32	51.12	74.00	-22.88	PK
H	4904.00	41.52	-0.32	41.20	54.00	-12.80	AV
H	7356.00	45.28	9.35	54.63	74.00	-19.37	PK
H	7356.00	37.46	9.35	46.81	54.00	-7.19	AV

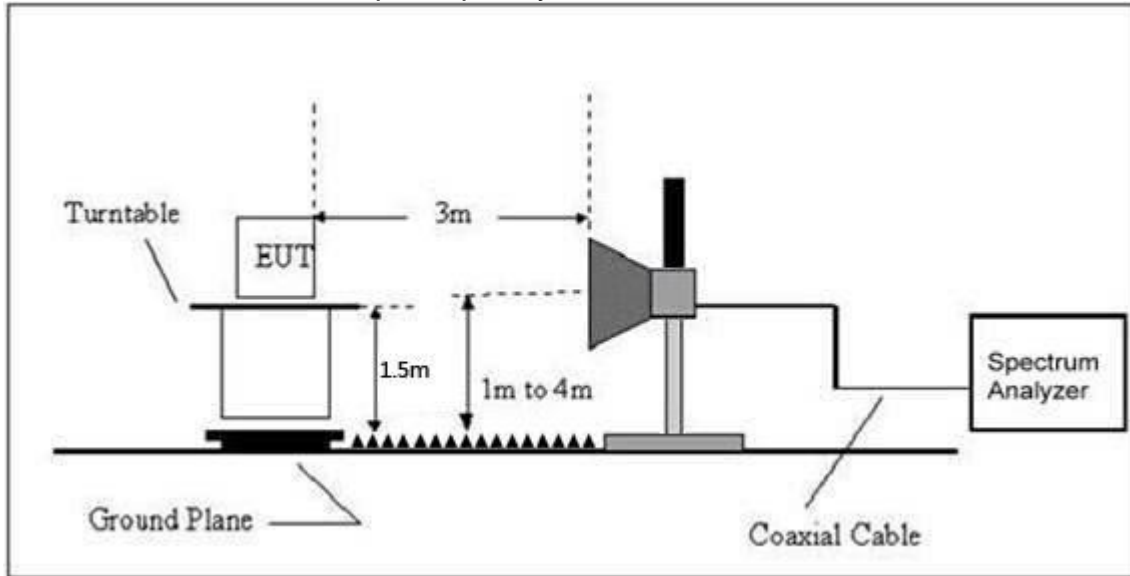
Remark:

1. Emission Level = Meter Reading + Factor,
Factor = Antenna Factor + Cable Loss – Pre-amplifier.
Over = Emission Level - Limit
2. If peak below the average limit, the average emission was no test.
3. In restricted bands of operation, The spurious emissions below the permissible value more than 20dB
4. The amplitude of spurious emissions which are attenuated by more than 20dB below the permissible value has no need to be reported.
5. All the Modulation are test, the worst mode is 802.11b, the data recording in the report.

8. RADIATED BAND EMISSION MEASUREMENT AND RESTRICTED BANDS OF OPERATION

8.1 Block Diagram Of Test Setup

Radiated Emission Test-Up Frequency Above 1GHz



8.2 Limit

FCC Part15 C Section 15.209 and 15.205

(a) Except as shown in paragraph (d) of this section, only spurious emissions are permitted in any of the frequency bands listed below:

MHz	MHz	MHz	GHz
0.090-0.110	16.42-16.423	399.9-410	4.5-5.15
0.495-0.505	16.69475-16.69525	608-614	5.35-5.46
2.1735-2.1905	16.80425-16.80475	960-1240	7.25-7.75
4.125-4.128	25.5-25.67	1300-1427	8.025-8.5
4.17725-4.17775	37.5-38.25	1435-1626.5	9.0-9.2
4.20725-4.20775	73-74.6	1645.5-1646.5	9.3-9.5
6.215-6.218	74.8-75.2	1660-1710	10.6-12.7
6.26775-6.26825	108-121.94	1718.8-1722.2	13.25-13.4
6.31175-6.31225	123-138	2200-2300	14.47-14.5
8.291-8.294	149.9-150.05	2310-2390	15.35-16.2
8.362-8.366	156.52475-156.52525	2483.5-2500	17.7-21.4
8.37625-8.38675	156.7-156.9	2690-2900	22.01-23.12
8.41425-8.41475	162.0125-167.17	3260-3267	23.6-24.0
12.29-12.293	167.72-173.2	3332-3339	31.2-31.8
12.51975-12.52025	240-285	3345.8-3358	36.43-36.5
12.57675-12.57725	322-335.4	3600-4400	(²)
13.36-13.41			

LIMITS OF RADIATED EMISSION MEASUREMENT (Above 1000MHz)

FREQUENCY (MHz)	Limit (dBuV/m) (at 3M)	
	PEAK	AVERAGE
Above 1000	74	54

Notes:

(1) The limit for radiated test was performed according to FCC PART 15C.

- (2)The tighter limit applies at the band edges.
 (3)Emission level (dBuV/m)=20log Emission level (uV/m).

8.3 Test procedure

Receiver Parameter	Setting
Attenuation	Auto
Start Frequency	2300MHz
Stop Frequency	2520
RB / VB (emission in restricted band)	1 MHz / 1 MHz for Peak, 1 MHz / 10Hz for Average

Above 1GHz test procedure as below:

a.The EUT was placed on the top of a rotating table 1.5 meters above the ground at a 3 meter camber. The table was rotated 360 degrees to determine the position of the highest radiation.

b.The EUT was set 3 meters away from the interference-receiving antenna, which was mounted on the top of a variable-height antenna tower.

c.The antenna height is varied from one meter to four meters above the ground to determine the maximum value of the field strength. Both horizontal and vertical polarizations of the antenna are set to make the measurement.

d.For each suspected emission, the EUT was arranged to its worst case and then the antenna was tuned to heights from 1 meter to 4 meters and the rota table was turned from 0 degrees to 360 degrees to find the maximum reading.

e.The test-receiver system was set to Peak Detect Function and Specified Bandwidth with Maximum Hold Mode.

f. If the emission level of the EUT in peak mode was 10dB lower than the limit specified, then testing could be stopped and the peak values of the EUT would be reported. Otherwise the emissions that did not have 10dB margin would be re-tested one by one using peak, quasi-peak or average method as specified and then reported in a data sheet.

g.Test the EUT in the lowest channel,the Highest channel.

Note:

Both horizontal and vertical antenna polarities were tested and performed pretest to three orthogonal axis. The worst case emissions were reported.

8.4 EUT operating Conditions

The EUT was configured for testing in a typical fashion (as a customer would normally use it). The EUT has been programmed to continuously transmit during test. This operating condition was tested and used to collect the included data.

8.5 Test Result

	Polar (H/V)	Frequency (MHz)	Reading Level (dBUV/m)	Correct Factor (dB)	Measurement (dBUV/m)	Limits (dBUV/m)		Over (db)	Result
					PK	PK	AV		
802.11b	Low Channel 2412MHz								
	H	2390.00	56.66	-6.70	49.96	74.00	54.00	-24.04	PASS
	H	2400.00	48.64	-6.71	41.93	74.00	54.00	-32.07	PASS
	V	2390.00	56.10	-6.70	49.40	74.00	54.00	-24.60	PASS
	V	2400.00	48.33	-6.71	41.62	74.00	54.00	-32.38	PASS
	High Channel 2462MHz								
	H	2483.50	55.58	-6.79	48.79	74.00	54.00	-25.21	PASS
	H	2485.00	48.04	-6.81	41.23	74.00	54.00	-32.77	PASS
	V	2483.50	56.21	-6.79	49.42	74.00	54.00	-24.58	PASS
	V	2485.00	47.80	-6.81	40.99	74.00	54.00	-33.01	PASS
802.11g	Low Channel 2412MHz								
	H	2390.00	57.78	-6.70	51.08	74.00	54.00	-22.92	PASS
	H	2400.00	49.09	-6.71	42.38	74.00	54.00	-31.62	PASS
	V	2390.00	58.16	-6.70	51.46	74.00	54.00	-22.54	PASS
	V	2400.00	51.06	-6.71	44.35	74.00	54.00	-29.65	PASS
	High Channel 2462MHz								
	H	2483.50	56.24	-6.79	49.45	74.00	54.00	-24.55	PASS
	H	2485.00	48.54	-6.81	41.73	74.00	54.00	-32.27	PASS
	V	2483.50	56.98	-6.79	50.19	74.00	54.00	-23.81	PASS
	V	2485.00	48.60	-6.81	41.79	74.00	54.00	-32.21	PASS
Remark: 1. Emission Level = Meter Reading + Factor, Factor = Antenna Factor + Cable Loss – Pre-amplifier. Over= Emission Level - Limit 2. If the PK measured levels comply with average limit, then the average level were deemed to comply with average limit. 3 In restricted bands of operation, The spurious emissions below the permissible value more than 20dB 4. The amplitude of spurious emissions which are attenuated by more than 20dB below the permissible value has no need to be reported.									

	Polar (H/V)	Frequency (MHz)	Reading Level (dBuV/m)	Correct Factor (dB)	Measurement (dBuV/m)	Limits (dBuV/m)		Over	Result
					PK	PK	AV	(db)	
802.11 n20	Low Channel 2412MHz								
	H	2390.00	57.87	-6.70	51.17	74.00	54.00	-22.83	PASS
	H	2400.00	49.36	-6.71	42.65	74.00	54.00	-31.35	PASS
	V	2390.00	58.47	-6.70	51.77	74.00	54.00	-22.23	PASS
	V	2400.00	49.90	-6.71	43.19	74.00	54.00	-30.81	PASS
	High Channel 2462MHz								
	H	2483.50	57.04	-6.79	50.25	74.00	54.00	-23.75	PASS
	H	2500.00	49.80	-6.81	42.99	74.00	54.00	-31.01	PASS
	V	2483.50	57.82	-6.79	51.03	74.00	54.00	-22.97	PASS
	V	2500.00	49.94	-6.81	43.13	74.00	54.00	-30.87	PASS
802.11 n40	Low Channel 2422MHz								
	H	2390.00	56.94	-6.70	50.24	74.00	54.00	-23.76	PASS
	H	2400.00	49.86	-6.71	43.15	74.00	54.00	-30.85	PASS
	V	2390.00	57.83	-6.70	51.13	74.00	54.00	-22.87	PASS
	V	2400.00	50.61	-6.71	43.90	74.00	54.00	-30.10	PASS
	High Channel 2452MHz								
	H	2483.50	56.69	-6.79	49.90	74.00	54.00	-24.10	PASS
	H	2500.00	48.46	-6.81	41.65	74.00	54.00	-32.35	PASS
	V	2483.50	57.73	-6.79	50.94	74.00	54.00	-23.06	PASS
	V	2500.00	49.77	-6.81	42.96	74.00	54.00	-31.04	PASS
Remark: 1. Emission Level = Meter Reading + Factor, Factor = Antenna Factor + Cable Loss – Pre-amplifier. Over= Emission Level - Limit 2. If the PK measured levels comply with average limit, then the average level were deemed to comply with average limit. 3 In restricted bands of operation, The spurious emissions below the permissible value more than 20dB 4. The amplitude of spurious emissions which are attenuated by more than 20dB below the permissible value has no need to be reported.									

9. POWER SPECTRAL DENSITY TEST

9.1 Block Diagram Of Test Setup



9.2 Limit

FCC Part15 (15.247) , Subpart C				
Section	Test Item	Limit	Frequency Range (MHz)	Result
15.247	Power Spectral Density	8 dBm (in any 3KHz)	2400-2483.5	PASS

LIMITS OF RADIATED EMISSION MEASUREMENT (Above 1000MHz)

9.3 Test procedure

1. Set analyzer center frequency to DTS channel center frequency.
2. Set the span to 1.5 times the DTS bandwidth.
3. Set the RBW to: 3 kHz
4. Set the VBW $\geq 3 \times$ RBW.
5. Detector = peak.
6. Sweep time = auto couple.
7. Trace mode = max hold.
8. Allow trace to fully stabilize.
9. Use the peak marker function to determine the maximum amplitude level within the RBW.
10. If measured value exceeds limit, reduce RBW (no less than 3 kHz) and repeat.

9.4 EUT operating Conditions

The EUT tested system was configured as the statements of 4.6 Unless otherwise a special operating condition is specified in the follows during the testing.

Note: Power Spectral Density(dBm)=Reading+Cable Loss