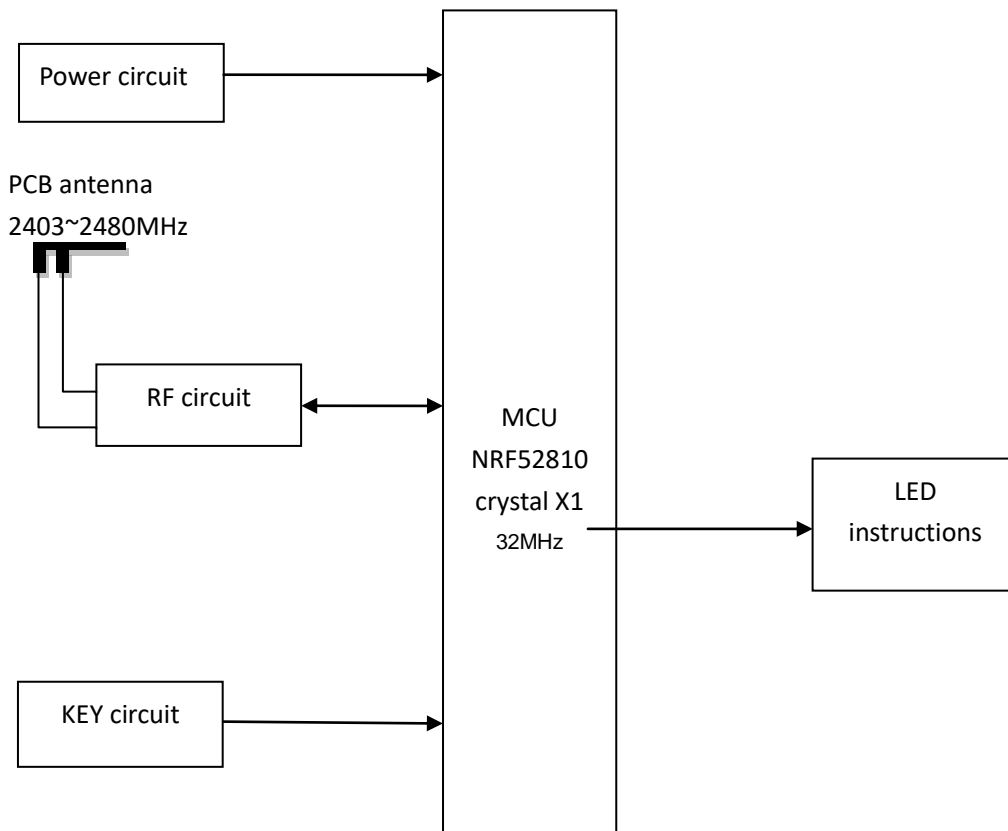


Working principle of RF61 remote control

Composition principle block diagram of RF61 remote control.



Main board connector consists of the following components:

1. Power supply circuit: The Transmitters powered by two 3A/1.5V batteries at 3V.
2. Led circuit: Led display function state, When press the keyboard will light up.
3. Keyboard circuit: Key1 – Key5 is mainly function keys, through the RF control receiving various kinds of functions.
4. RF circuit: RF chip (NRF52810) external crystal oscillator 32Mhz,through frequency multiplier (working center frequency 2.44GHZ),through the RF circuit, transmit-receive data to mcu transmit to the terminal equipment.

Modulation Type: GFSK

Antenna Type: PCB antenna

Antenna Gain: 1.225dBi