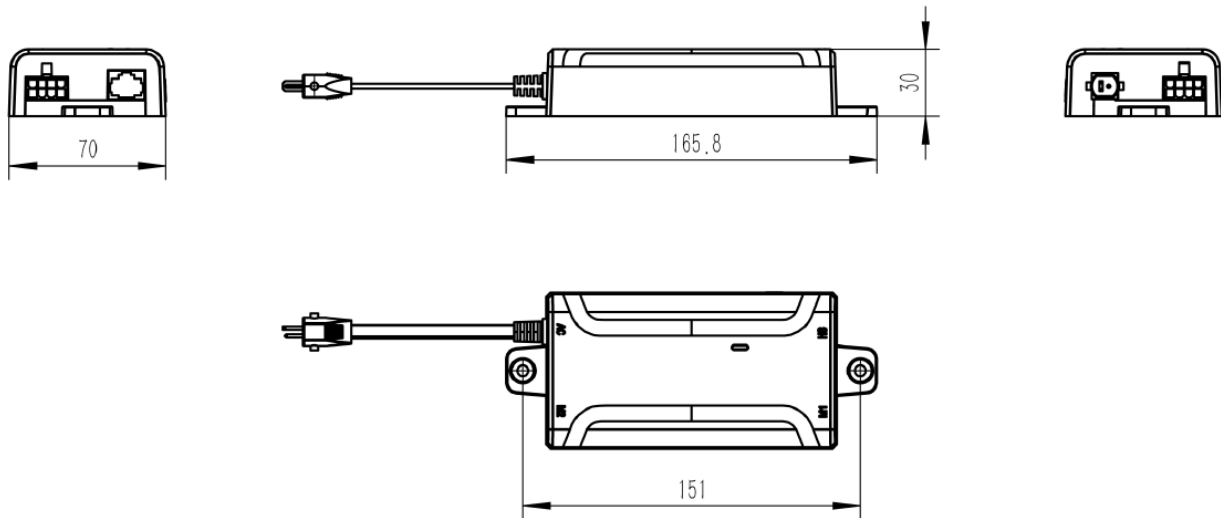

 A Phoenix Mecano Company	Issue department: Office Division	Date:	2024-05-3
	<b>Product Function instruction</b>	Author:	Andy
		<b>No: OCB010</b>	
	<i>DCB010</i>	Version:	1.0
Page 1 of 4			

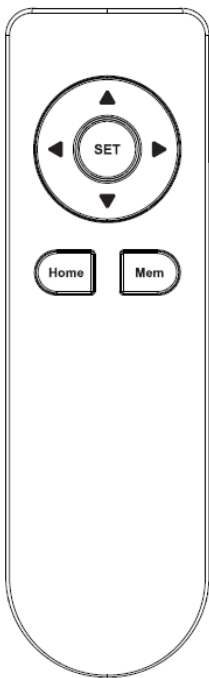
## OCB010 Function instruction

### 1. Dimension drawing



 <small>A Phoenix Mecano Company</small>	Issue department: Office Division	Date:	2024-05-3
	<b>Product Function instruction</b>	Author:	Andy
<i>DCB010</i>		<b>No: OCB010</b>	
	Version:	1.0	
	Page 2 of 4		

## 1. Operating instructions




- 1, Press up key, the product turned up to the horizontal position;
- 2, Press down key, the product turns down to the maximum angle;
- 3, Press left key, the product left turn to the maximum angle;
- 4, Press right key, the product right turn to the maximum angle;
- 5, MEMORY key, long press 5 seconds at the same time to save the current flip angle and rotation angle, the buzzer sounded when saved successfully; short press the key to reach the saved flip and rotation angle.
- 6, HOME key: short press to reach the horizontal angle and rotate the 0 degree position; long press the HOME key for 10 seconds, the system automatically reset, reset after returning to the 0 degree position.

### 7、SET Key.

long press the SET key for 10 seconds, change the mode between automatic mode and manual mode;

8, in any automatic operation process, short press any key can make the product stop in the current position

9, remote control pairing operation: in the control box just powered on within 10 seconds or double press the button on the control box within 500ms within to going to pairing mode, control box indicator blue light, while long-pressing the remote control on the Up+Down key 3 seconds after the key light blinks, the control box will emit a “beep” after successful code pairing, and the indicator light of the control box will turn green; if the pairing is not completed within 10 seconds after the control box enters the pairing state, the control box will

	Issue department: Office Division	Date:	2024-05-3
	<b>Product Function instruction</b>	Author:	Andy
		<b>No: OCB010</b>	
	<i>DCB010</i>	Version:	1.0
		Page 3 of 4	

automatically exit from the pairing state, and the indicator light will turn green.

### 1.1. Motor port

Connect with the two motors.

### 1.2. Power LED & PAIRING LED

Power supply for control box, PAIRING LED of control box is blue, POWER LED is green.

### 1.3. Power

Connect to the 29V DC;

### 1.4. Pair button

Double press the button.

#### FCC:

Any Changes or modifications not expressly approved by the party responsible for compliance could void the user's authority to operate the equipment.


This device complies with part 15 of the FCC Rules. Operation is subject to the following two conditions: (1) This device may not cause harmful interference, and (2) this device must accept any interference received, including interference that may cause undesired operation.

#### IC RSS warning

This device complies with Industry Canada licence-exempt RSS standard (s). Operation is subject to the following two conditions: (1) this device may not cause interference, and (2) this device must accept any interference, including interference that may cause undesired operation of the device.

#### ISED RSS Warning:

This device complies with Innovation, Science and Economic Development Canada licence exempt RSS standard(s). Operation is subject to the following two conditions: (1) this device may not cause interference, and (2) this device must accept any interference, including interference that may cause undesired operation of the device.

 <small>A Phoenix Mecano Company</small>	Issue department: Office Division	Date:	2024-05-3
	<b>Product Function instruction</b>	Author:	Andy
		<b>No: OCB010</b>	
	<i>DCB010</i>	Version:	1.0
Page 4 of 4			

Le présent appareil est conforme aux CNR d'ISED applicables aux appareils radio exempts de licence.

L'exploitation est autorisée aux deux conditions suivantes:

- (1) l'appareil ne doit pas produire de brouillage, et
- (2) l'utilisateur de l'appareil doit accepter tout brouillage radioélectrique subi, même si le brouillage est susceptible d'en compromettre le fonctionnement.