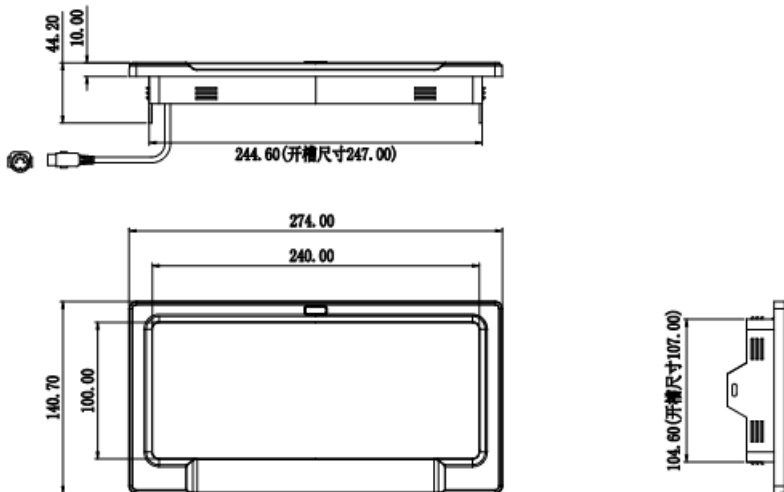
 <small>A Phoenix Mecano Company</small>	Issued by Technology Department	Date	
	Product Specification	Author	
JLDK-56		Version	1

## I. Product's Appearance




## II. Dimension Drawings



## III. Product Features

1. Line controller
2. 1-button switch to control 1 drives
3. Designed for chairs
4. wireless charge

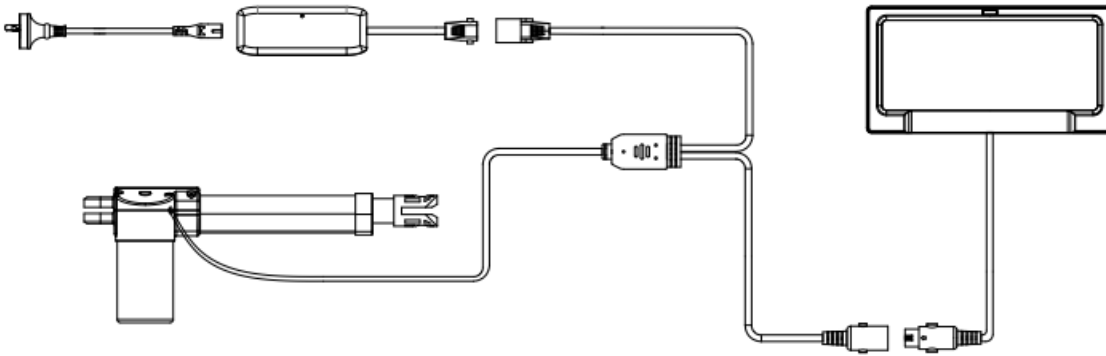
## IV. Performance Data

 <small>A Phoenix Mecano Company</small>	Issued by Technology Department	Date	
	Product Specification	Author	
JLDK-56		Version	1
		Page 2 of 3	

1. Cable: 5 pins, round plug, 1500 mm
2. Other data is shown in the following table

Output	Wireless charging output voltage	8.5V~10V
Wireless charging output current	1.5A~1.8A	
Input	Input voltage	29V
Environment	Indoor use	

## V. Connection Diagram




## VI. FAQ

A: My sofa doesn't work.

Q: Please check your sofa by the following steps.

1. Check the SMPS light
  - 1.1. If the SMPS light is on, the system works.
  - 1.2. If the SMPS light is off, please check whether there is a disconnection. If all items are connected properly but the light is still off, please replace the SMPS and retry.
2. Press a switch key and check the LED light
  - 2.1. If the LED light is on, the system works.

 <small>A Phoenix Mecano Company</small>	Issued by Technology Department	Date	
	Product Specification	Author	
JLDK-56		Version	1

2.2. If the light is on but the sofa still doesn't work, please replace the switch or the actuator, for the circuit may be the major cause of the fault. And please check whether there is a disconnection or any cuts or crimps in cables.

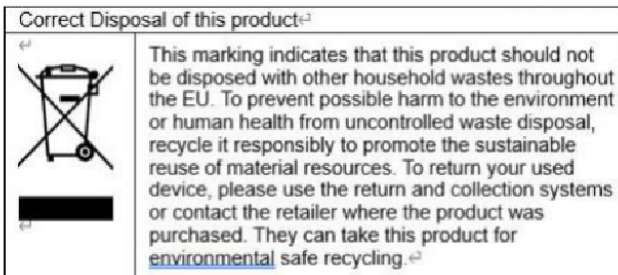
2.3. If the LED light is off, please check the SMPS. If the SMPS works, please replace the switch.

## VII. Maintenance Instructions

1. Please do not use the non-water proof products in damp environment. No products are allowed to be washed with water. Cleaning with alcohol is allowed.
2. Please handle the product with care and install it properly to avoid any breaks in plastic material or in small components.
3. Please follow the specification and eliminate insecurities in time. Overload is not allowed.
4. Ambient temperature: room temperature.
5. Relative humidity: no more than 80%.

- **Environment**

Do not use household appliances as unclassified waste collection facilities, use separate ones. Contact your local government for information on the collection system. If all electrical appliances are landfilled or stacked for disposal, harmful substances may leak into groundwater. And entering the food chain, endangering your health and happiness. When replacing old appliances, the new retailer is obliged to recycle your old appliances.



6. Please take attention that changes or modification not expressly approved by the party responsible for compliance could void the user's authority to operate the equipment.

This device complies with Part 15 of the FCC Rules. Operation is subject to the following two conditions:

- (1) This device may not cause harmful interference
- (2) This device must accept any interference received, including interference that may cause undesired operation.