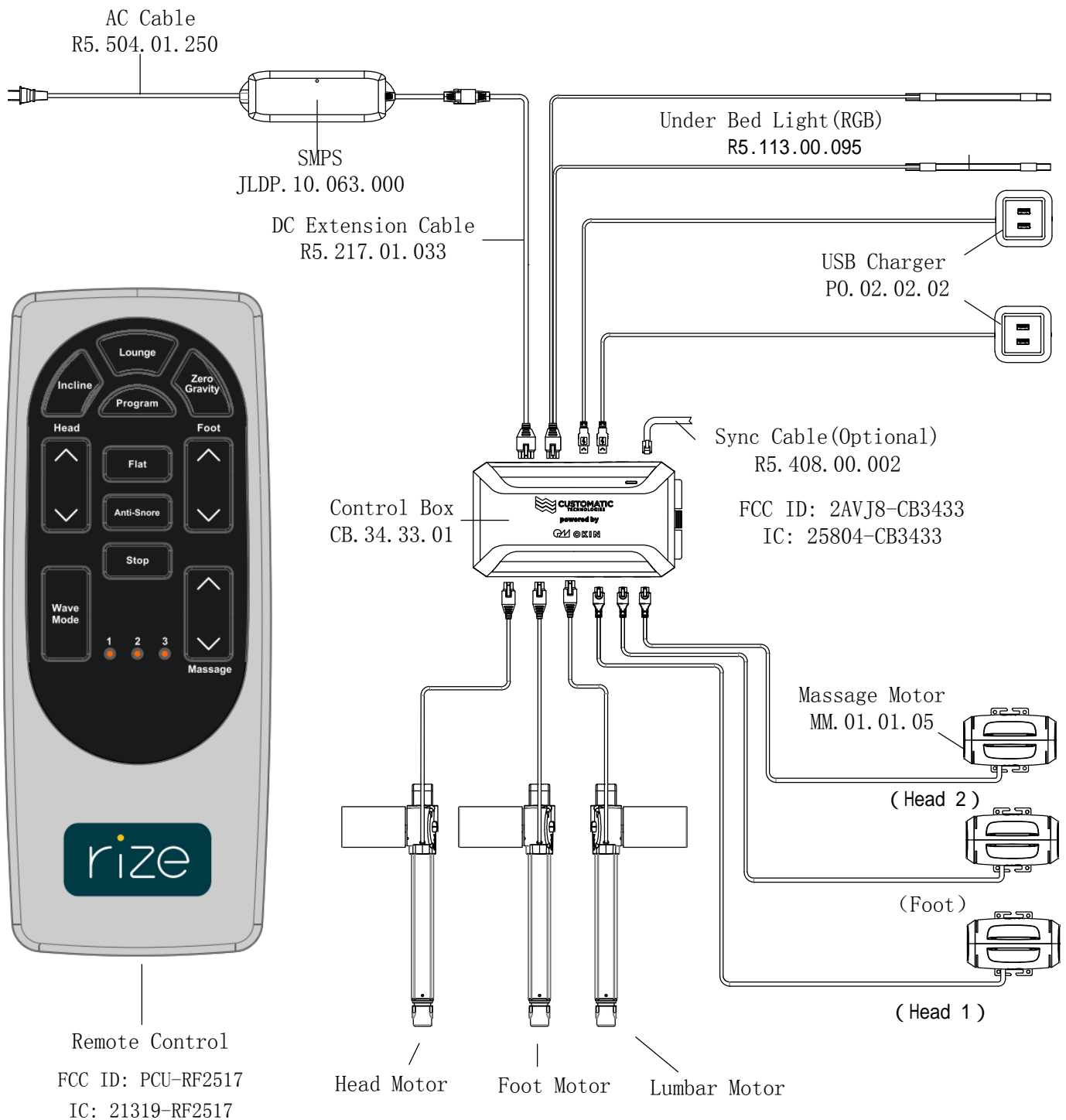

 <p>OKIN REFINED A Phoenix Mecano Company</p>	Issue department: R&D Division	Date:	2019-11-17
	Product Function instruction	Author:	Jarek
CB3433		No: CB3433	
	Version:	1.0	
Page 1 of 5			

CB3433 Function instruction

1. Electrical configuration diagram:



 <small>A Phoenix Mecano Company</small>	Issue department: R&D Division	Date:	2019-11-17
	ProductFunction instruction	Author:	Jarek
CB3433		No: CB3433	
	Version:	1.0	
Page 2 of 5			

2.Function Picture



3.Interface function description

3.1.HEADACTUATOR

Connect to head actuator,control by remote single:

Click head up button on the remote, head actuator moves out, stop when released;

Click headdown button, head actuator moves in, stop when released;

This function takes effect only by pressing the corresponding button on the remote.


3.2.FOOT ACTUATOR

Connect to foot actuator,control by remote single:

Click foot up button, foot actuator moves out, stop when released;

Click foot down button, foot actuator moves in, stop when released;

This function takes effect only by pressing the corresponding button on the remote.

 <small>A Phoenix Mecano Company</small>	Issue department: R&D Division	Date:	2019-11-17
	ProductFunction instruction	Author:	Jarek
CB3433		No: CB3433	
	Version:	1.0	
	Page 3 of 5		

3.3.LUMBAR ACTUATOR

Connect to foot actuator,control by remote single:
Click Lumber up button, foot actuator moves out, stop when released;
Click Lumber down button, foot actuator moves in, stop when released;
This function takes effect only by pressing the corresponding button on the remote.

3.4.HEAD1 VIBRATION&HEAD2 VIBRATION

Connect to head massage,control by remote:
Click head massage + button,head massage strengthens by one level;
Click head massage - button,head massage weakenby one level;
This function takes effect only by pressing the corresponding button on the remote.

3.5.FOOT VIBRATION


Connect to Foot massage,control by remote:
Click FOOT massage + button,head massage strengthens by one level;
Click FOOT massage - button,head massage weakenby one level;
This function takes effect only by pressing the corresponding button on the remote.

3.6.Power LED& PAIRING LED

Power supply for control box, PAIRINGLED of control box is blue,POWER LED is green.

3.7.PAIR& RESET buttonFunction

PairFunction:
Power supply for control box,Pair LED lights to blue, the control box enters into mode of code paring;
Press and hold the paring buttonof Remote, the backlight of paring LED flashes, the backlight of remote flashes,
the remote enters into mode of code paring;
The backlight of paring LED of remote stops flashing, and the paring led of control box turns off, it indicates that
the code paring is successful;

 <small>A Phoenix Mecano Company</small>	Issue department: R&D Division	Date:	2019-11-17
	ProductFunction instruction	Author:	Jarek
CB3433		No: CB3433	
	Version:	1.0	
	Page 4 of 5		

If fails, repeat all the processes above;

3.8.SYNC port

Connect with the same other Control box or Other accessories;

3.9.underbed light-RGB

Click button of underbed light, turns on(orchange) the underbed light, switch the status once when click once;
This function takes effect only by pressing the corresponding button on the remote.

3.10.USB Power OUT

Connect USB panel

3.11.UART1 port& UART2 port

Connect other serial peripherals

3.12.Power

Connect to the 29V DC;

4.bluetooth function Please download from the corresponding app store according to the corresponding mobile phone system:


iOS:"Rize Remedy II"

<https://apps.apple.com/cn/app/rize-remedy-ii/id1481289338>

android: "Rize Remedy II"

<https://play.google.com/store/apps/details?id=com.okin.bedding.rizeii>

Connect the control box and execute the control operation according to the operating instructions of the app

	Issue department: R&D Division	Date:	2019-11-17
	ProductFunction instruction	Author:	Jarek
		No: CB3433	
	CB3433	Version:	1.0
Page 5 of 5			

FCC Warning:

Any Changes or modifications not expressly approved by the party responsible for compliance could void the user's authority to operate the equipment.

This device complies with part 15 of the FCC Rules. Operation is subject to the following two conditions: (1) This device may not cause harmful interference, and (2) this device must accept any interference received, including interference that may cause undesired operation.

FCC Radiation Exposure Statement:

This equipment complies with FCC radiation exposure limits set forth for an uncontrolled environment .This equipment should be installed and operated with minimum distance 20cm between the radiator& your body.

ISED RSS Warning:

This device complies with Innovation, Science and Economic Development Canada licence-exempt RSS standard(s). Operation is subject to the following two conditions: (1) this device may not cause interference, and (2) this device must accept any interference, including interference that may cause undesired operation of the device.

Le Le présent appareil est conforme aux CNR d'ISED applicables aux appareils radio exempts de licence.

L'exploitation est autorisée aux deux conditions suivantes:

- (1) l'appareil ne doit pas produire de brouillage, et
- (2) l'utilisateur de l'appareil doit accepter tout brouillage radioélectrique subi, même si le brouillage est susceptible d'en compromettre le fonctionnement.

ISED RF exposure statement:

This equipment complies with ISED radiation exposure limits set forth for an uncontrolled environment.

This equipment should be installed and operated with minimum distance 20cm between the radiator& your body.This transmitter must not be co-located or operating in conjunction with any other antenna or transmitter.

Le rayonnement de la classe b repecte ISED fixaient un environnement non contrôlés.Installation et mise en œuvre de ce matériel devrait avec échangeur distance minimale entre 20 cm ton corps.Lanceurs ou ne peuvent pas coexister cette antenne ou capteurs avec d'autres.