

label placement

Date: 2021-09-22

To whom it may concern,

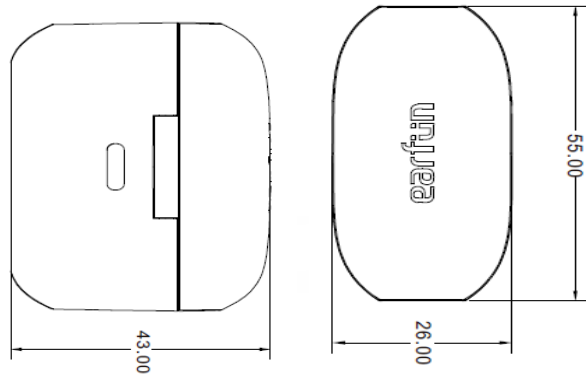
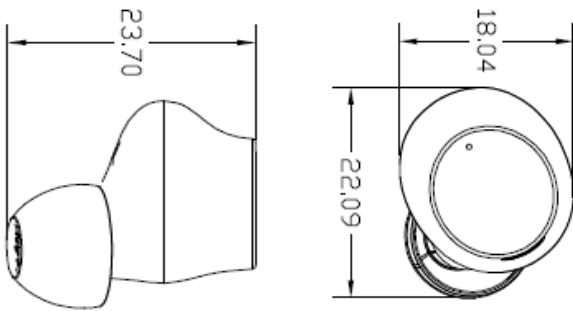
We, Earfun Technology (HK) Limited , FCC ID: 2AVIT-TW102L , hereby submits justification for placing the ID label to the charging box. Because the surface of this device is very smooth, the processing technology

is difficult and the device is too small so the ID label cannot to be printed on this device.

The measurement of Earphone: Length (23.7mm)*Width (22.09mm)*High (18.04 mm), The label width: Length (33.9mm)*Width (12.63mm), so the label will be moved to the Charging Case. Below photo will show the detail:

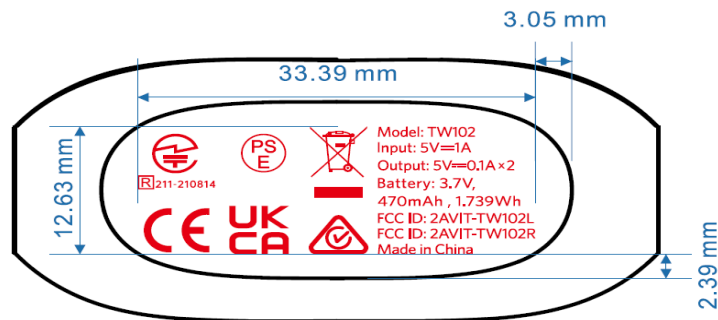
Bluetooth headset

Charging box



Label

Unit:mm



Sincerely,

Signature:
Rocky Deng
Product Director