

深圳市成乐电子科技有限公司  
SHENZHEN XJH COMMUNICATION EQUIPMENT CO.,LTD

承 认 书

SPECIFICATION FOR APPROVAL

客 户: 致力电子  
CUSTOMER: \_\_\_\_\_  
客 户 编 号: BT385  
CUSTOMER P/N: \_\_\_\_\_  
本 厂 编 号: \_\_\_\_\_  
OUR MODEL NO: \_\_\_\_\_  
品 名 / 规 格: PCB 天线  
SPECIFICATIONS: \_\_\_\_\_  
样 品 数: 1 SET  
Q' TY: \_\_\_\_\_  
日 期: 2023-3-12  
DATE: \_\_\_\_\_

深圳市成乐电子科技有限公司			客户		
工程 Engineering	品保 Quality	核准 Approved	工程 Engineering	品保 Quality	核准 Approved

地址: 深圳市龙岗区龙岗街道万汇大厦 801

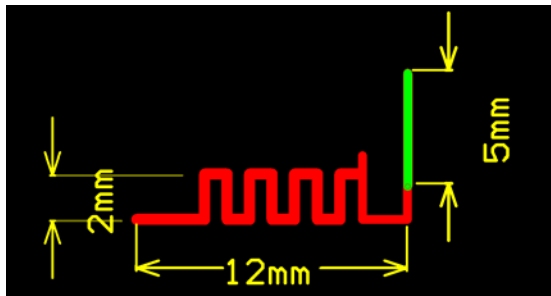
## Antenna describe:

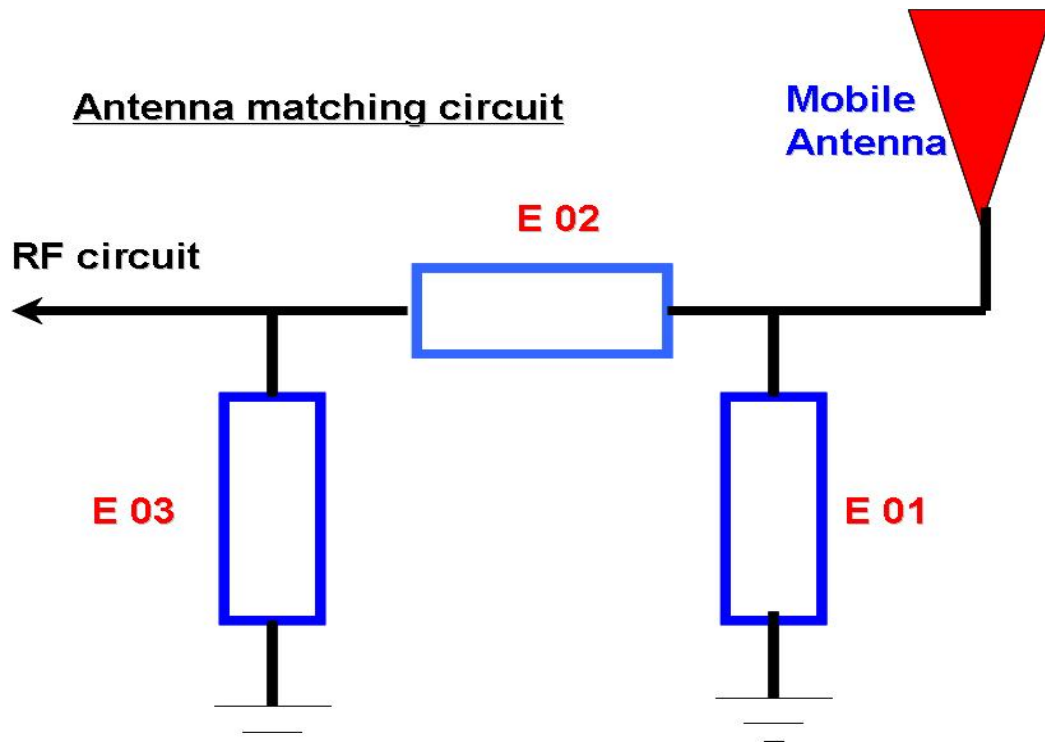
### 1. Antenna describe:

<b>Antenna plate</b>	<b>Monoploe antenna</b>
<b>Make name/model name</b>	<b>BT385</b>
<b>Antenna gain</b>	<b>0dBi</b>
<b>Frequency range</b>	<b>2.402GHz-2.480GHz</b>
<b>Connector type</b>	<b>direct</b>
<b>Company name</b>	<b>Shenzhen chengle industries co.,LTD</b>

### 2. External view drawing

Picture of antenna





Element	Value
E1(0402)	N/A
E2(0402)	0R
E3(0402)	N/A

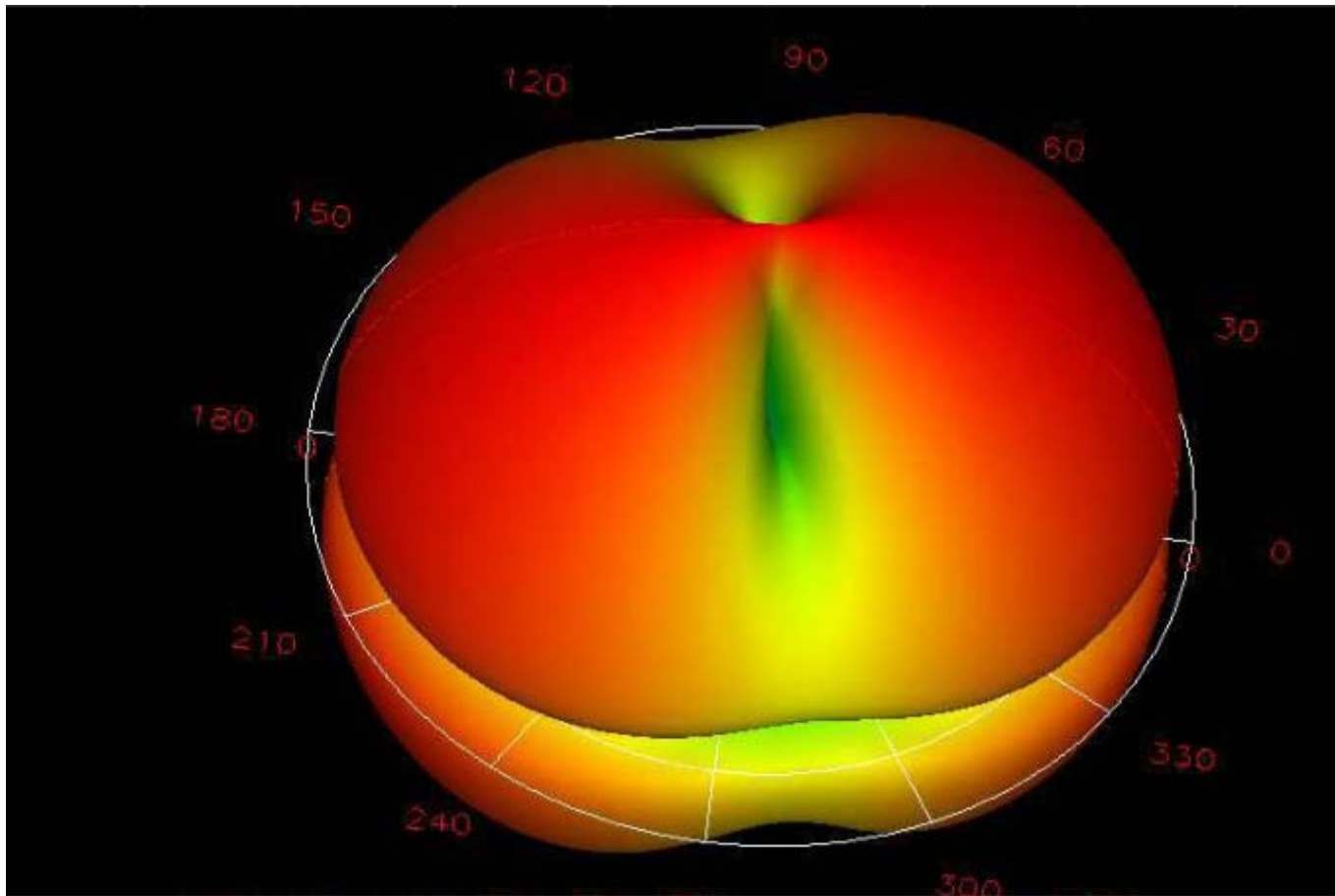
### 3. OTA Testing Result

Antenna radiation pattern @2402MHZ

Total average

Gain :-0.475dbi

<b>Phi</b>	<b>0</b>	<b>45</b>	<b>90</b>	<b>135</b>	<b>180</b>	<b>235</b>	<b>270</b>	<b>315</b>
<b>Gain</b>	<b>-0.1</b>	<b>-0.3</b>	<b>-0.8</b>	<b>-0.5</b>	<b>-0.2</b>	<b>-0.6</b>	<b>-0.8</b>	<b>-0.5</b>

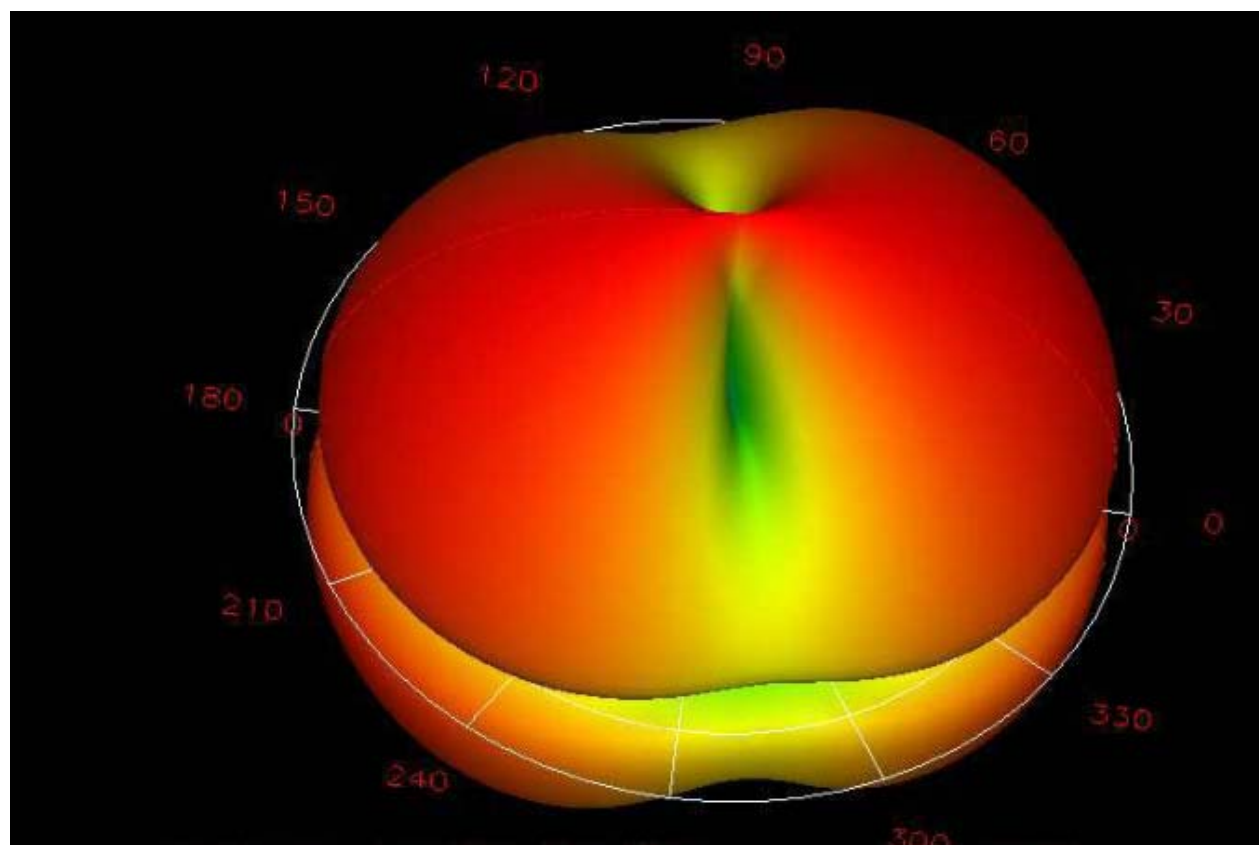


# Antenna radiation pattern @2441MHZ

Total average

Gain :-0.275dbi

Phi	0	45	90	135	180	235	270	315
Gain	0	-0.1	-0.3	-0.6	-0.1	-0.2	-0.6	-0.4



# Antenna radiation pattern @2480MHZ

Total average

Gain :-0.237dbi

<b>Phi</b>	<b>0</b>	<b>45</b>	<b>90</b>	<b>135</b>	<b>180</b>	<b>235</b>	<b>270</b>	<b>315</b>
<b>Gain</b>	<b>0</b>	<b>-0.1</b>	<b>-0.2</b>	<b>-0.5</b>	<b>0</b>	<b>-0.3</b>	<b>-0.6</b>	<b>-0.2</b>

