

TEXTRON FLEET MANAGEMENT

TKV GPS

User Manual and Quick Start Guide



Regulatory Information

This device complies with part 15 of the FCC Rules. Operation is subject to the following two conditions: (1) This device may not cause harmful interference, and (2) this device must accept any interference received, including interference that may cause undesired operation.

NOTE: This equipment has been tested and found to comply with the limits for a Class B digital device, pursuant to Part 15 of the FCC Rules. These limits are designed to provide reasonable protection against harmful interference in a residential installation. This equipment generates, uses and can radiate radio frequency energy and, if not installed and used in accordance with the instructions, may cause harmful interference to radio communications. However, there is no guarantee that interference will not occur in a particular installation. If this equipment does cause harmful interference to radio or television reception, which can be determined by turning the equipment off and on, the user is encouraged to try to correct the interference by one or more of the following measures:

- Reorient or relocate the receiving antenna.
- Increase the separation between the equipment and receiver.
- Connect the equipment into an outlet on a circuit different from that to which the receiver is connected.
- Consult the dealer or an experienced radio/TV technician for help.

Note: The manufacturer is not responsible for any radio or TV interference caused by unauthorized modifications to this equipment. Such modifications could void the user's authority to operate this equipment.

Changes or modifications not expressly approved by the party responsible for compliance could void the user's authority to operate the equipment.

This device complies with Industry Canada RSS standard(s). Operation is subject to the following two conditions: (1) this device may not cause interference, and (2) this device must accept any interference, including interference that may cause undesired operation of the device.

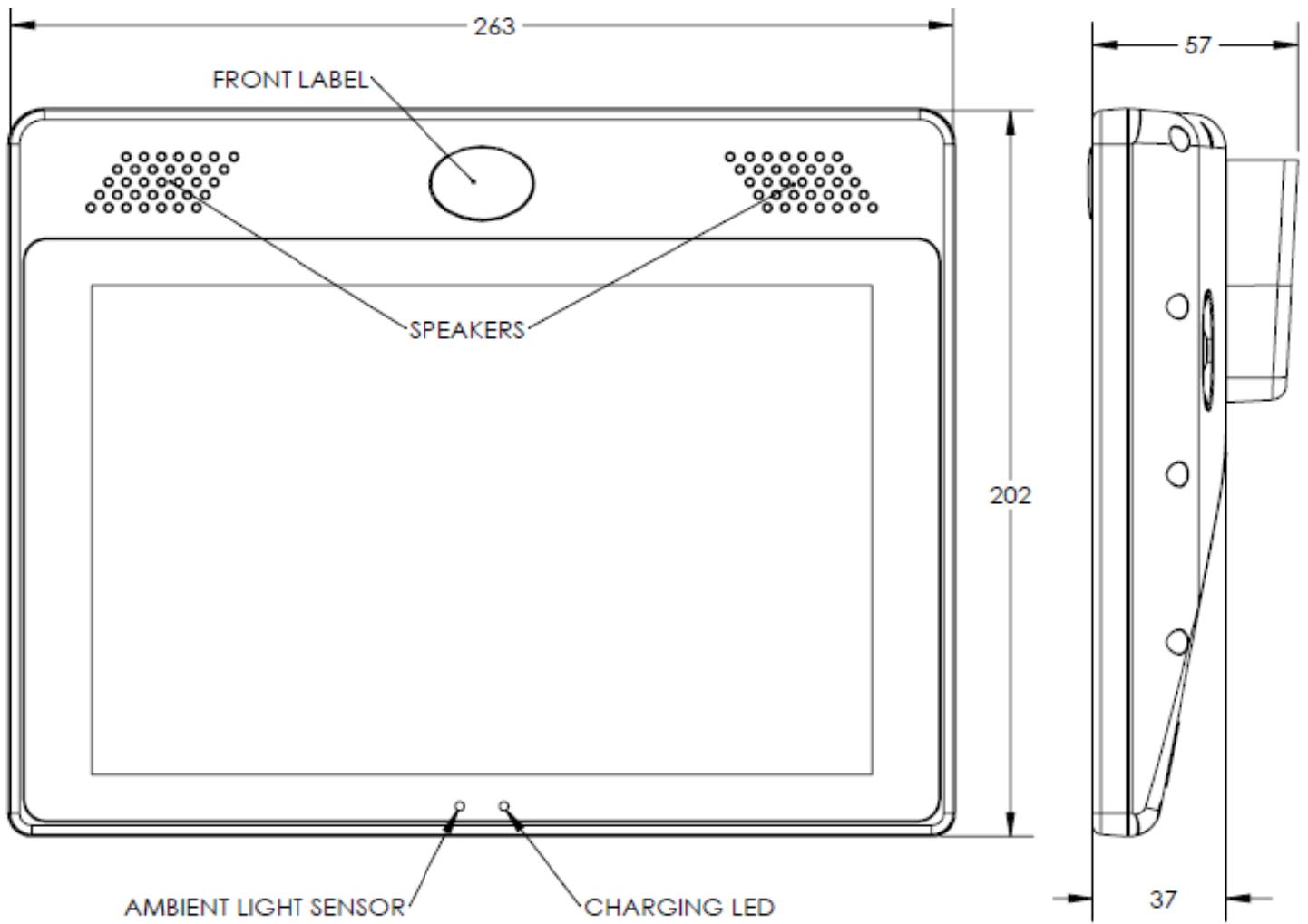
Le présent appareil est conforme aux CNR d'Industrie Canada applicables aux appareils radio exempts de licence. L'exploitation est autorisée aux deux conditions suivantes:

- (1) il ne doit pas produire de brouillage et
- (2) l'utilisateur du dispositif doit être prêt à accepter tout brouillage radioélectrique reçu, même si ce brouillage est susceptible de compromettre le fonctionnement du dispositif.

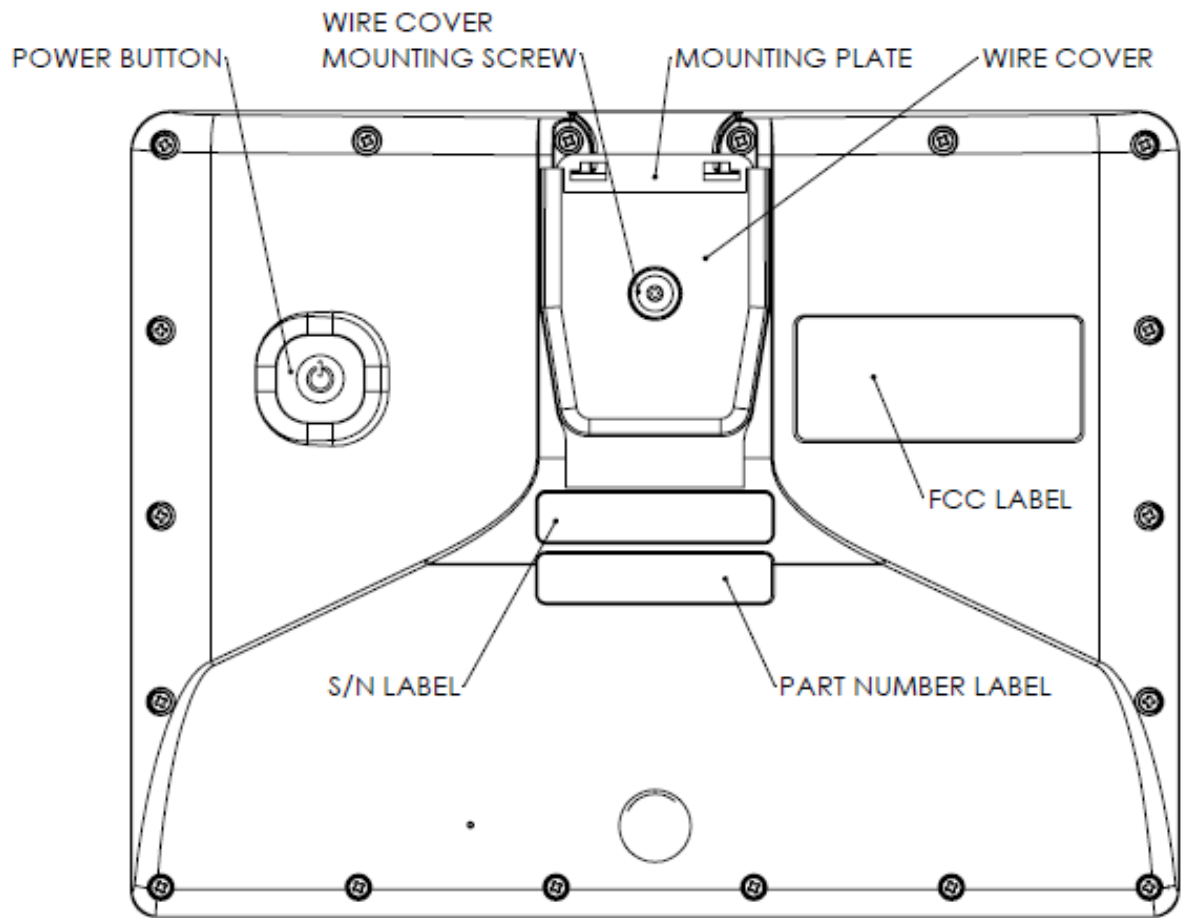
The distance between user and products should be no less than 20cm, The prototype is not detachable. If you take it apart, the prototype will lose its function

Dimensions

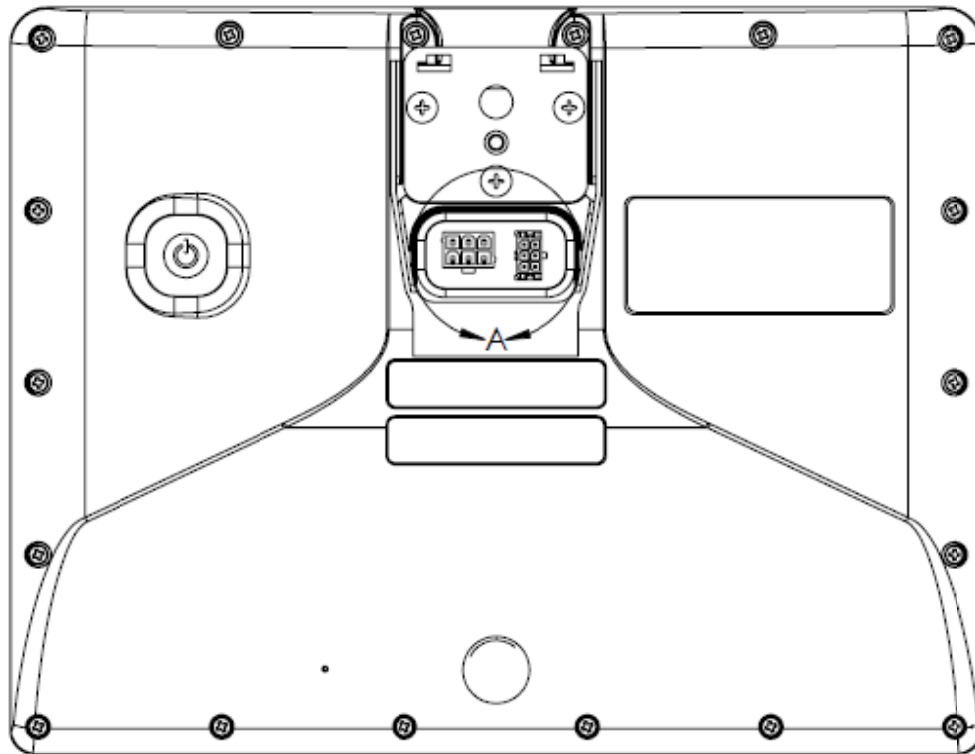
Front and Side View



Rear View



Connector



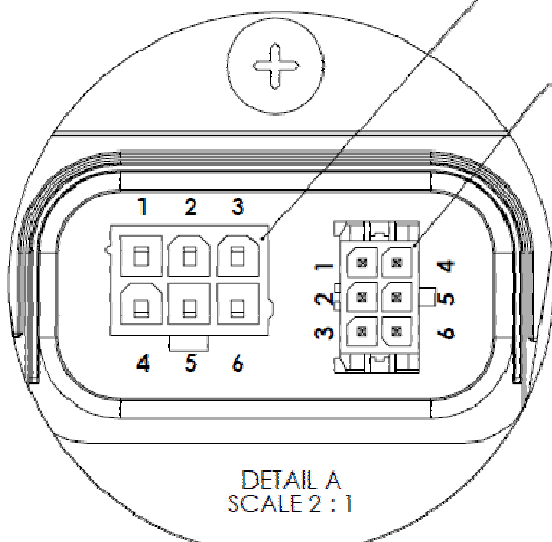
WIRE COVER REMOVED

POWER AND MC CONNECTOR

Pin #	1	2	3	4	5	6
Signal Name	TX	RX	REL	VBATT	GND	IGN

SERVICE CONNECTOR

Pin #	1	2	3	4	5	6
Signal Name	PROG.	USB ID	GND	VBUS	D-	D+



NOTE:

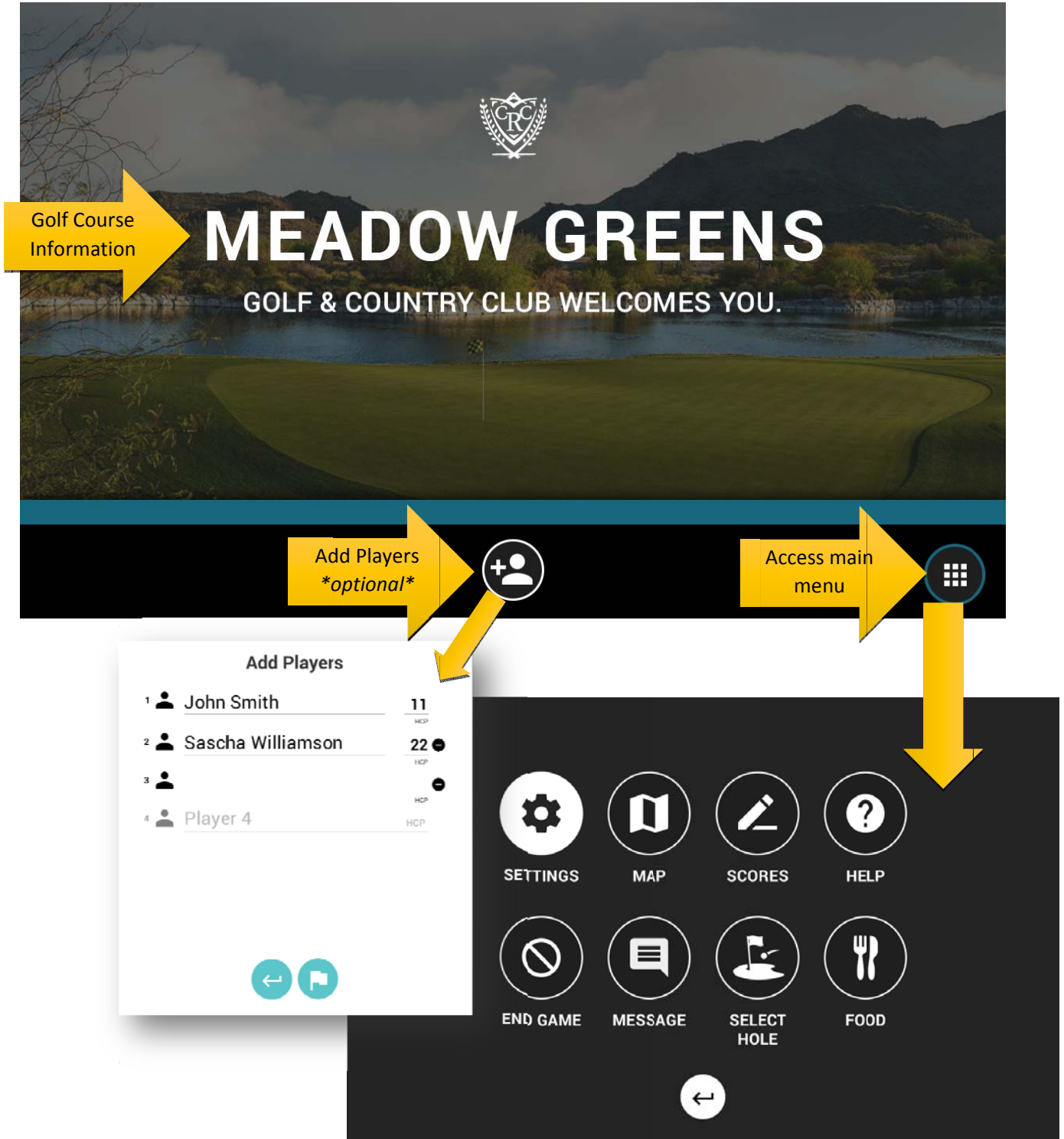
Wire Cover (TFM P/N 041-3005) and Wire Cover mounting screw (10-32 x 3/8", Pan, Philips,SS,SEMS,w/extlockwasher) are included with the GPS Unit.

Software User Guide

Welcome Screen

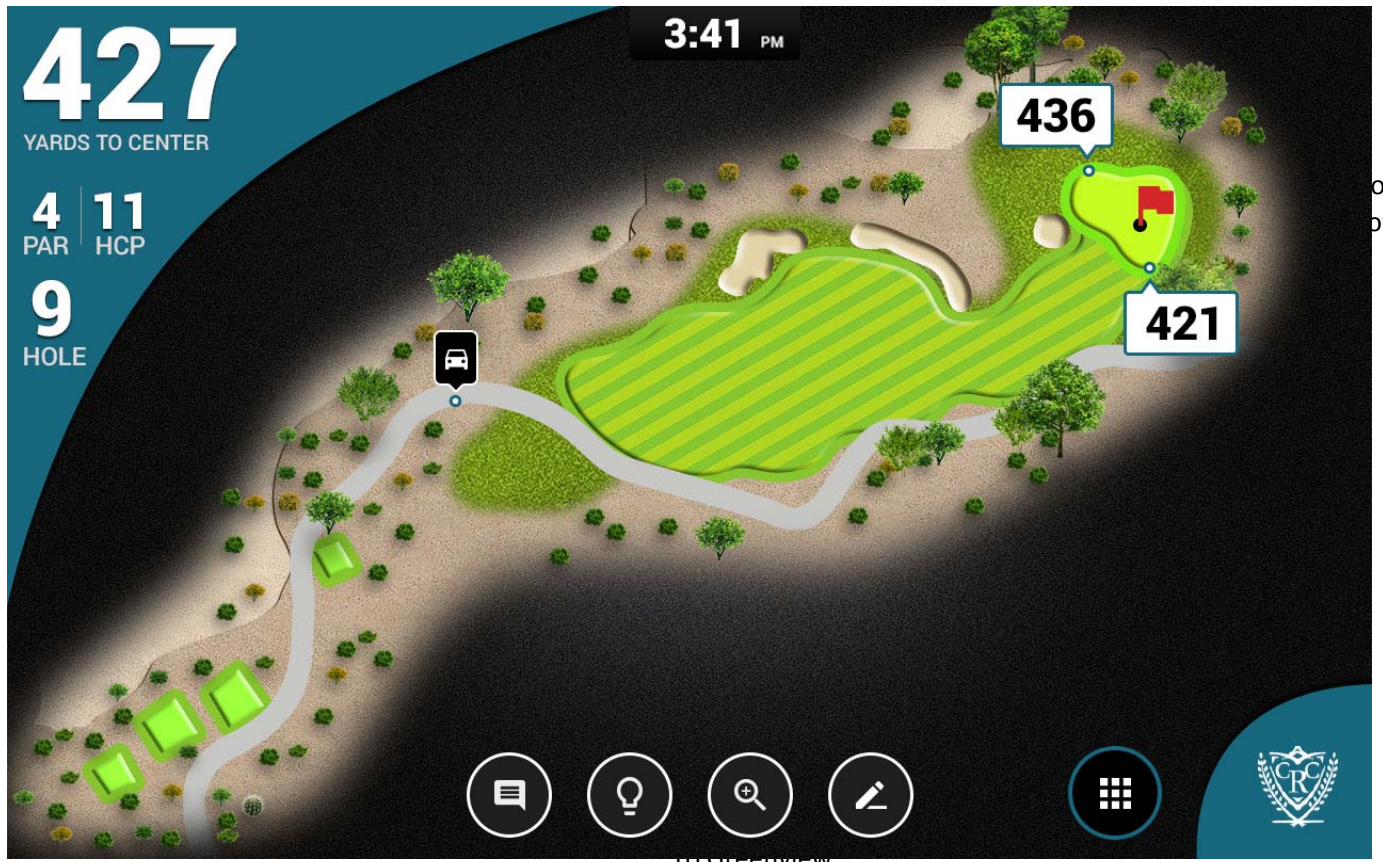
After power up, the GPS unit will display a message with information about the golf facility it operates on.

The user has access to a menu with options to enter their name and golf handicap for score keeping and other options.



Main View During Game • Hole View

Once the golfer arrives on the first hole, the unit automatically transitions into *play* mode and shows the current hole.




o
of

Main View During Game • Zoomed-in Green View



Scorecard

Once a game is started, players can enter hole-by-hole scores. Handicap stroke holes are automatically allocated and net scores calculated as the round progresses.

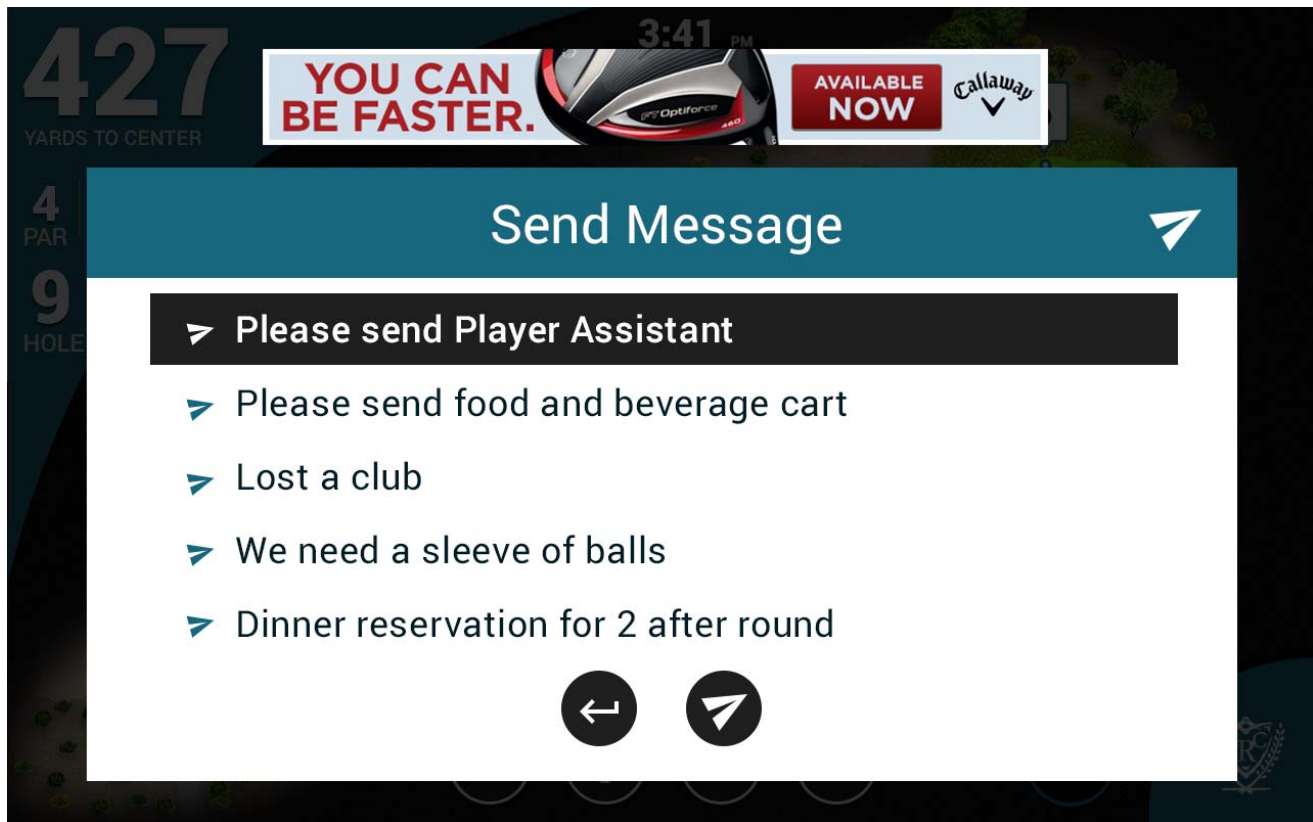


HOLE	1	2	3	4	5	6	7	8	9	OUT	TOTAL	
PAR	4	3	5	4	3	4	4	5	5	36		
John Smithson	22 <small>HCP</small>	- 4	+ 5	6	4	3	3	4	42 34	34		
David Thompson	19 <small>HCP</small>	+ .	+ .	+ .	+ .	+ ..	+ .	+ .	+ .	+ ..	00 00	00

Edit players
 Steve & Michael
 View all 18
 Back 9

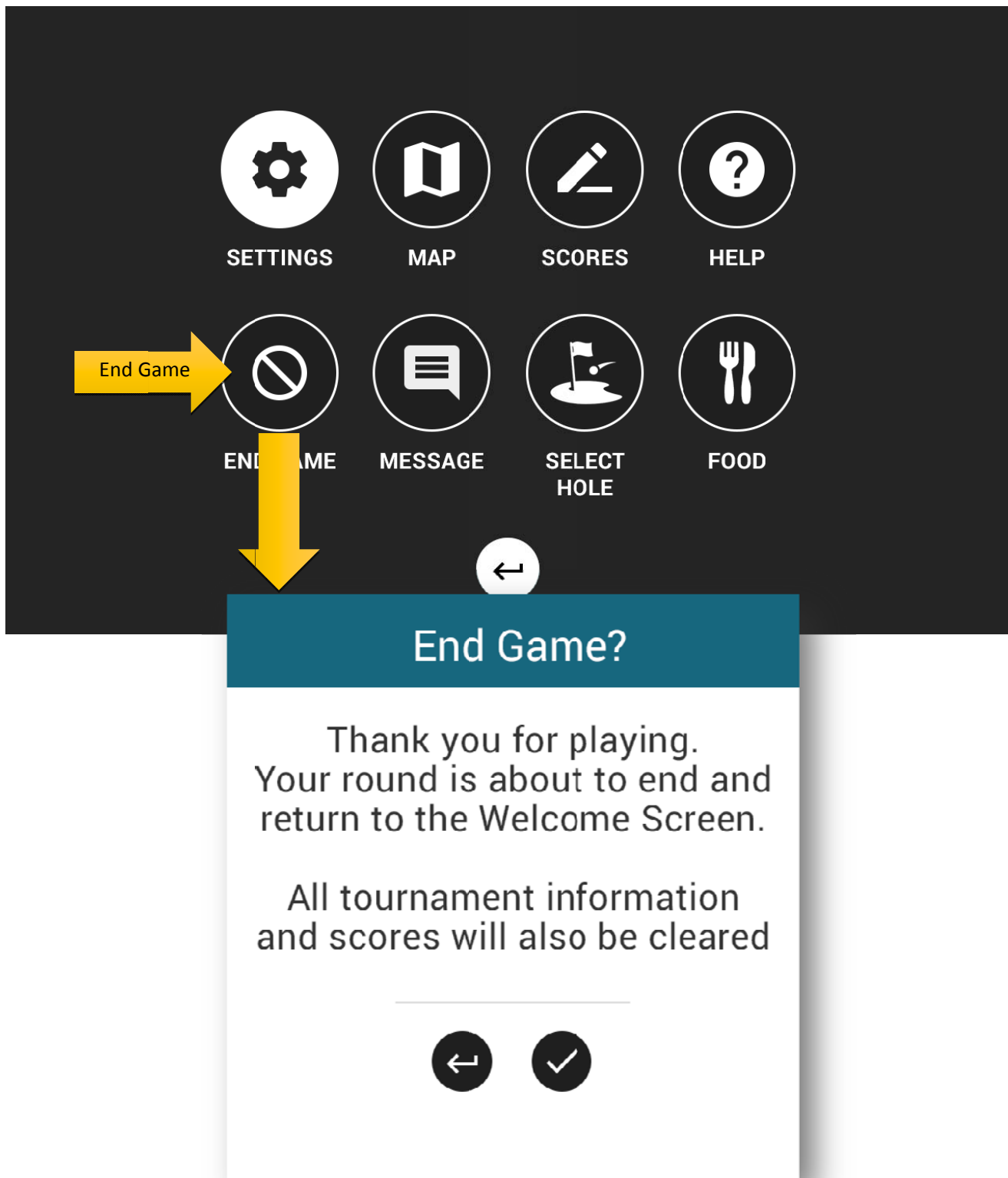
Messaging

At any time during the round, golfers may send messages to the clubhouse.



Ending a Game

When a round is completed, the unit will automatically return to the welcome screen and clear player information within 15-30 minutes. To end a game right away, select 'End Game' from the main menu.



The unit will return to the welcome screen, ready for a new round.