

1GE+3FE+WIFI EPON ONU
Quick Installation Guide
V2.0

Aug. 13, 2019

1. Indicator and Interface Description

1.1 Product Picture



Figure 1 1GE+3FE+WIFI EPON ONU

1.2 Application Chart

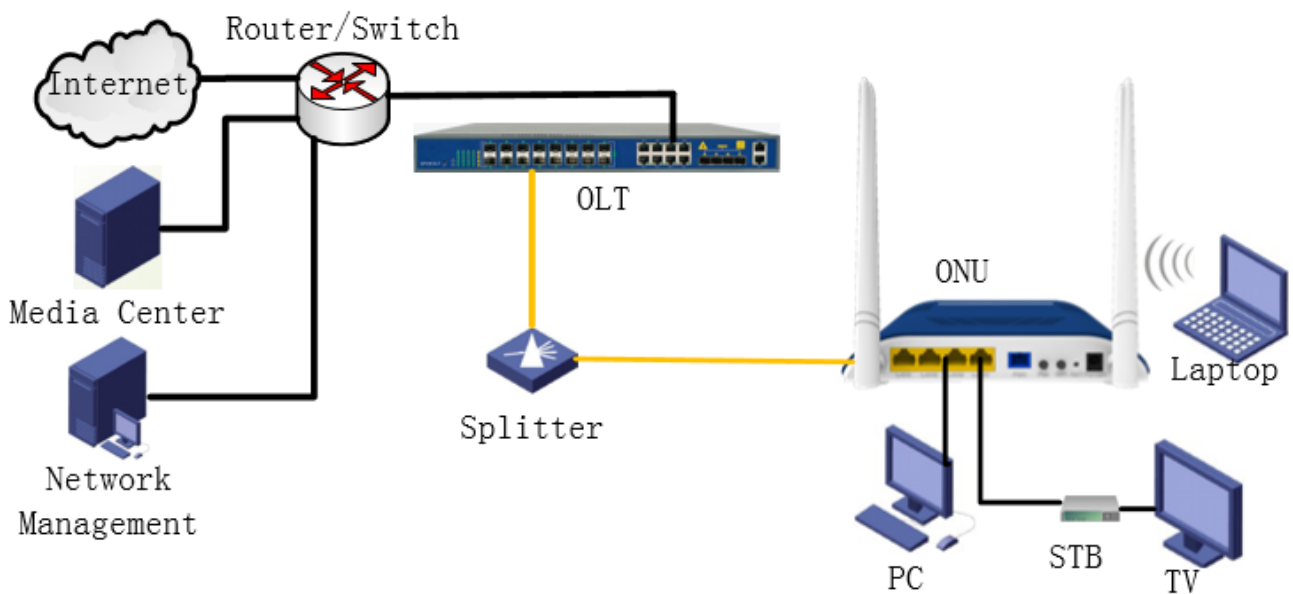


Figure 2 Application Chart

1.3 Panel Lights



Figure 3 Panel Lights

LED	Mark	Status	Description
Power	POWER	On	The device is powered up.
		Off	The device is powered down.
Registration	PON	On	The device is registered to the PON system.
		Off	Device is not registered to the PON system.
		Blink	Device registration is incorrect.
Optical signal	LOS	Blink	Device does not receive optical signals.
		Off	Device has received optical signal.
WiFi	WiFi	On	WiFi is working
		Off	WiFi is not working
WPS	Pair	ON	WiFi allow one key join
Interface	LAN1 LAN2 LAN3 LAN4	On	Port is connected properly (LINK).
		Off	Port connection exception or not connected.
		Blink	Port is sending or/and receiving data (ACT).

Table 1 Panel Lights

1.4 Interface/button Panel

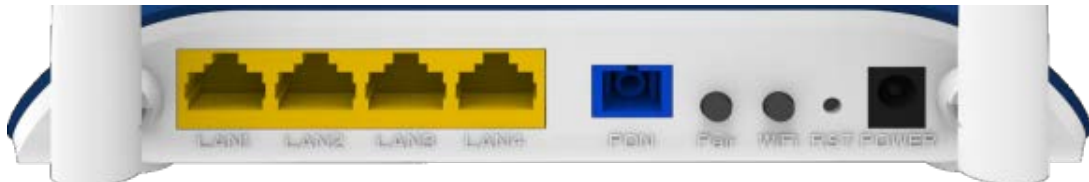


Figure 4 Interface/button Panel

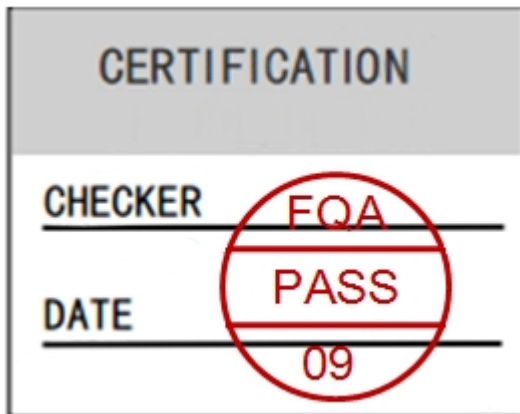
Name	Function
PON	Connect to OLT by SC type fiber connector, single mode optical fiber cable.
LAN	Connect PC or other devices with Ethernet port by Cat5 cable, RJ-45 connector.
RST	Press RST button over 10 seconds, onu restores factory default and reboot.
POWER	Connect with power adapter. DC 12V, 1A.
Pair	Press down WiFi pair button to begin pairing.
WiFi	Press down WiFi turn on/off button to enable/disable WiFi function.

Table 2 Interface/button Panel

2. Packing List

Contents	Quantity	Contents	Quantity
EPON ONU	1 pcs	Power adapter	1 pcs
Installation Guide	1 pcs		

3. Certification



4. Hardware Installation

Installation Environment Requirements

ONU equipment must be installed in the interior, and to ensure the following conditions:

- Confirmation at the ONU installation at sufficient space to facilitate cooling machine.
- ONU suitable operating temperature of $-5\text{ }^{\circ}\text{C} \sim 55\text{ }^{\circ}\text{C}$, humidity 10% to 90%.
- Device workplace should avoid radio transmitters, radar stations, and high-frequency interference from power equipment.

Equipment Installation

1. Installed on the desktop

Place the ONU on a clean bench, this installation is relatively simple, you can observe the following operation:

- Ensure the smooth workbench.
 - Around the device enough space for heat dissipation.
 - Do not place objects on the device.
2. Mounted on the wall
- Observation ONU equipment chassis two cruciform recess, in accordance with the position of the groove, installed two screws in the wall.
 - The original selected two mounting screws gently snap into recesses aligned.
 - Slowly let go, so that the device under the support of the screw hanging on the wall.
3. Connect fiber, network cable and power adapter to the corresponding interfaces, and turn on the power of product.

FCC Warning

This device complies with part 15 of the FCC rules. Operation is subject to the following two conditions: (1) this device may not cause harmful interference, and (2) this device must accept any interference received, including interference that may cause undesired operation. Changes or modifications not expressly approved by the party responsible for compliance could void the user's authority to operate the equipment.

NOTE: This equipment has been tested and found to comply with the limits for a Class B digital device, pursuant to part 15 of the FCC Rules. These limits are designed to provide reasonable protection against harmful interference in a residential installation. This equipment generates uses and can radiate radio frequency energy and, if not installed and used in accordance with the instructions, may cause harmful interference to radio communications. However, there is no guarantee that interference will not occur in a particular installation. If this equipment does cause harmful interference to radio or television reception, which can be determined by turning the equipment off and on, the user is encouraged to try to correct the interference by one or more of the following measures:

- Reorient or relocate the receiving antenna.
- Increase the separation between the equipment and receiver.
- Connect the equipment into an outlet on a circuit different from that to which the receiver is connected.
- Consult the dealer or an experienced radio/TV technician for help.

Radiation Exposure Statement

This equipment complies with FCC radiation exposure limits set forth for an uncontrolled environment. This equipment should be installed and operated with minimum distance 20cm between the radiator and your body.