

Product Number: AN2400-50F250GX-W4

Product Name: 2.4GHz 5dBi Antenna

1. Specification

Sample Photo



A. Electrical Characteristics

Frequency	2400~2500 MHz
S.W.R.	<= 2.0
Antenna Gain	5.0dBi
Polarization	Linear
Impedance	50 Ohm

B. Material & Mechanical Characteristics

Material of Radiator	CS
Material of Plastic	Body1: TPE Body2: ABS Body3: PC+PBT
Cable Type	OD1.13mm , Gray

C. Environmental

Operation Temperature	- 25 °C ~ + 65 °C
Storage Temperature	- 25 °C ~ + 65 °C



Product Number: AN2400-50F250GX-W4

Product Name: 2.4GHz 5dBi Antenna

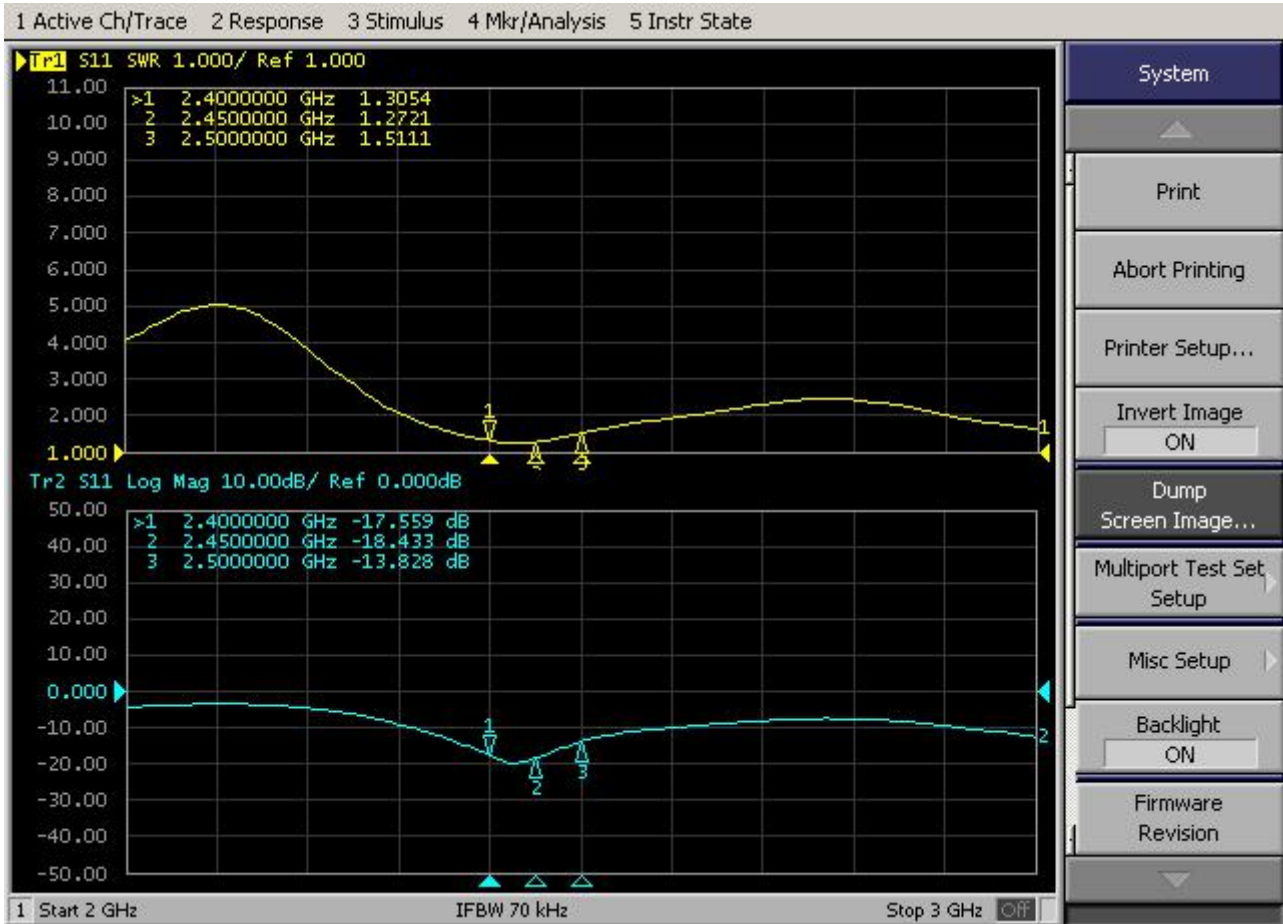
2. Characteristics and Reliability Test

Test Items		Test Condition and Procedure	Requirements
C1	S.W.R.	Set DUT on Network Analyzer; make individual calibration to test	Directive DUT specification
C2	Antenna Gain	Set DUT on Antenna Chamber; make individual calibration to test	Directive DUT specification
M1	Vibration	MIL-STD-202G, 201A Amplitude: 0.03 inch (0.76mm); Freq: 10 to 55 Hz 3 directions; 2 hours for each direction	1. No Visual Damage 2. Frequency Tol.<= 5%
M2	Random Drop	Height: 1.5 Meter; 3 directions; 1 time for each direction	1. No parts separated 2. Frequency Tol.<= 5%
M3	Solderability	MIL-STD-202G, 210F, cond. A Solder iron: 350±10°C; Duration: 5 seconds	1. Mounted on PCB 2. No Visual Damage
M4	Terminal-Pull Test	MIL-STD-202G, 211A, cond. A Holding with individual specification; force applied to axis of terminal	1. Directive DUT specification 2. Frequency Tol.<= 5%
M5	Terminal-Torque Test	MIL-STD-202G, 211A, cond. E Holding with individual specification; applied clockwise and counterclockwise to the axis of terminal	1. Directive DUT specification 2. Frequency Tol.<= 5%
M6	Dimension	Inspection of dimension, color, material, package, surface process	Directive DUT specification
E1	Salt Spray	MIL-STD-202G, 101E, cond. B Temp: 35°C; RH: >= 95%; NaCl solution: >= 5%; Time: 24 hours	After 2 Hours Recovery 1. No Visual Damage 2. Frequency Tol.<= 5%
E2	Humidity	MIL-STD-202G, 103B, cond. B Temp: 40°C; RH: >= 95%; Time: 24 hours	After 2 Hours Recovery 1. No Visual Damage 2. Frequency Tol.<= 5%
E3	Thermal Shock	1 Cycle: - 25°C (30 minutes) to + 65°C (30 minutes) Cycles: 24	After 2 Hours Recovery 1. No Visual Damage 2. Frequency Tol.<= 5%
E4	Life (High Temp.)	MIL-STD-202G, 108A, cond. A Temp: 85°C; Time: 24 hours	After 2 Hours Recovery 1. No Visual Damage 2. Frequency Tol.<= 5%
R1	RoHS	With Reference to IEC 62321:2008 with flow chart	Directive RoHS 2015/95/EC

Product Number: AN2400-50F250GX-W4

Product Name: 2.4GHz 5dBi Antenna

3. Antenna - S Parameter Test Data



4. Antenna - Radiation Pattern Test Data

Frequency (MHz)	2400.0	2450.0	2500.0
Efficiency (%)	70.00	68.00	64.80
Gain (dBi)	5.00	5.00	5.00

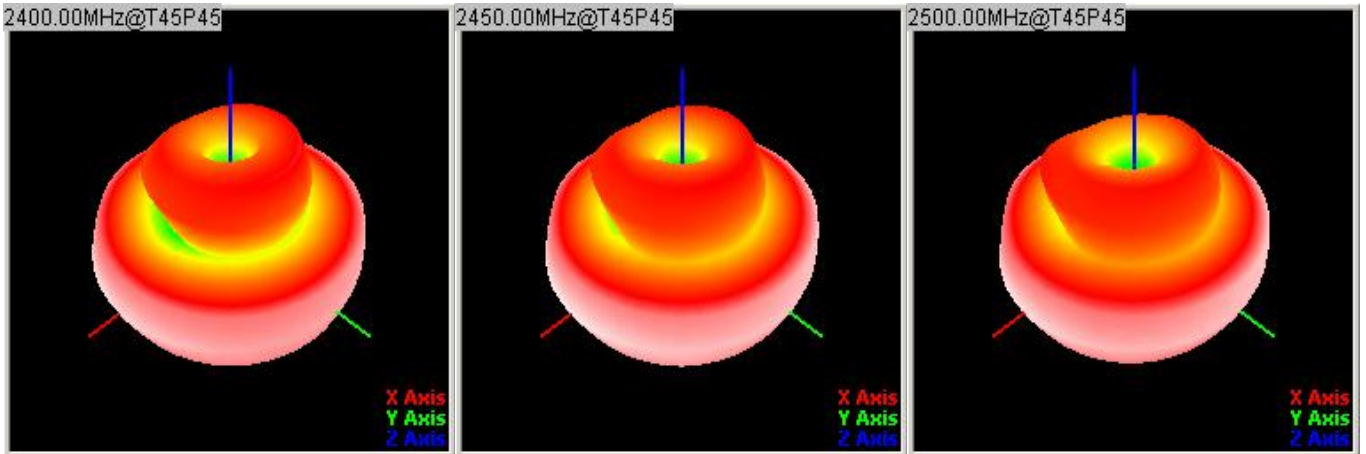
Product Number: AN2400-50F250GX-W4

Product Name: 2.4GHz 5dBi Antenna

2400MHz

2450MHz

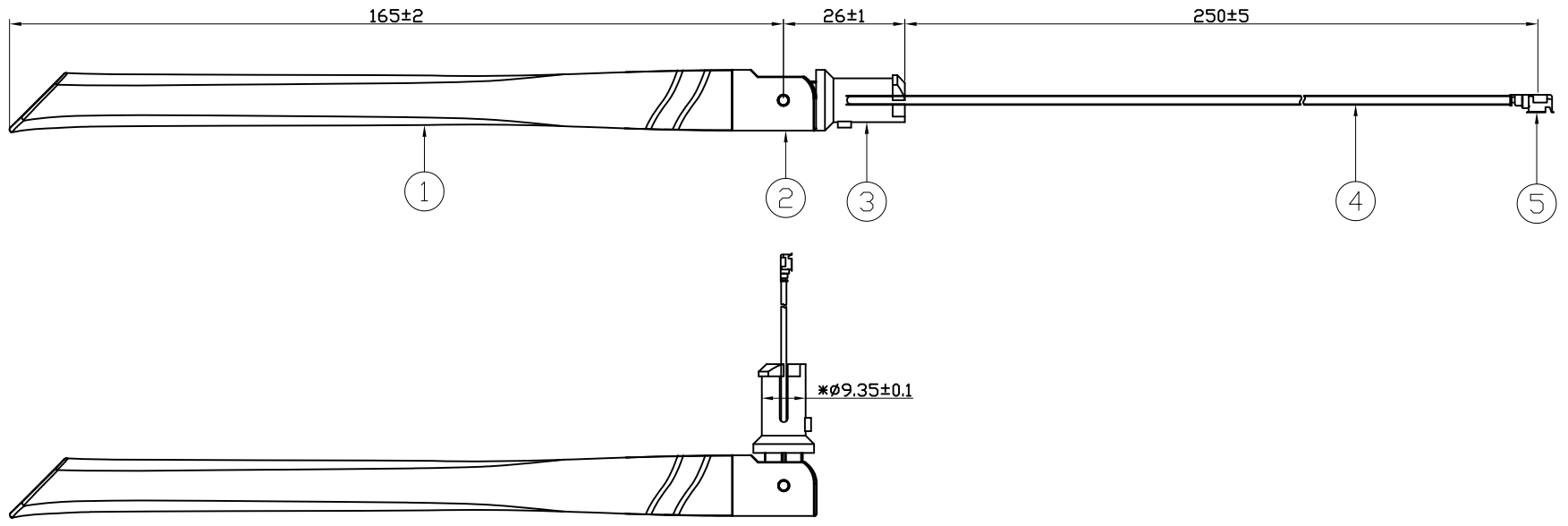
2500MHz



5. Mechanical Drawing See attached files

HF
 RoHS
 REACH
CONFIDENTIAL

SIGN	DATE	DESCRIPTION	APPROVER



Note:
 1. Dimension: Take * is the important dimension
 2. Tolerance: Unmarked tolerance refer to the standard tolerance please

5	CR-113-ZP-A	I-PEX	Cu	Au Plating	1
4	CB-113GS	Cable		OD1.13,Gray	1
3	AN9201-09W6	Body 3	PC+PBT	White	1
2	AN9201-06W6	Body 2	ABS	White	1
1	BODY-AN50-01W6	Body 1	TPE	White	1
No.	Part Number	Name	Material	Finish	Q'ty

TITLE: 2.4GHz 5dBi Antenna					
PART NO.: AN2400-50F250GX-W4			DWG NAME:		
APP BY	CHK BY	RF BY	DES BY		Tolerance
YCX	HC	WJ	DWF	UNITS: mm	X.X ±0.5
2022.01.19	2022.01.19	2022.01.19	2022.01.19	SCALE: 1/1	X.XX ±0.2
				REVISION: A	X° ±1°

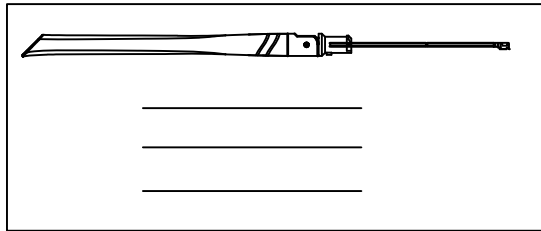
PACKING CRITERION

Date: 2022.01.19

Page: 1 of 1

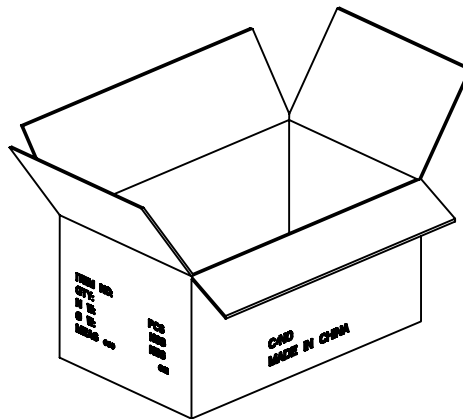
Part Number : AN2400-50F250GX-W4	Revision : A
Name: 2.4GHz 5dBi Antenna	Customer : ALL

1 . Enter PE bag.



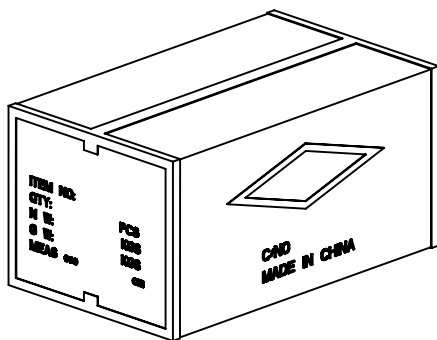
50pcs/ PE bag

2.PACKING

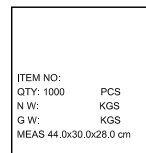


1000pcs/Carton

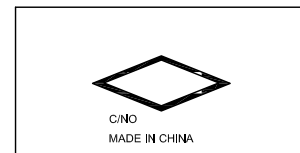
3. SEALING.



SIDE



FRONT



APPROVED BY : YCX

CHECKED BY : HC

DESIGNED BY : DWF