



FCC TEST REPORT

Prepared for :

Webee Corporation

SUITE# W014. 440 N. Wolfe Road, Sunnyvale, CA 94085

FCC ID: 2AVI7-91DA3C

Product: Smartee G3

Trade Name: N/A

Model Name: SM3001, SM3001+, SM3001x, PCHQ1

Date of Test: Dec. 17, 2019 ~ Dec. 24, 2019

Date of Report: Dec. 24, 2019

Report Number: HK1910082514-18E

Prepared By :

Shenzhen HUAKE Testing Technology Co., Ltd.

1F, B2 Building, Junfeng Zhongcheng Zhizao Innovation Park, Heping

Community, Fuhai Street, Bao'an District, Shenzhen, China

TEL: +86-755-2302 9901 FAX: +86-755-2302 9901

E-mail: service@cer-mark.com <http://www.cer-mark.com>



TEST REPORT VERIFICATION

Applicant : Webee Corporation
 Address : SUITE# W014. 440 N. Wolfe Road, Sunnyvale, CA 94085
 Manufacturer : Webee Corporation
 Address : SUITE# W014. 440 N. Wolfe Road, Sunnyvale, CA 94085
 EUT Description : Smartee G3
 (A) Model No. : SM3001
 (B) Serial No. : SM3001+, SM3001x, PCHQ1
 (C) Power Supply : DC 5V 3A from Adapter

Standards FCC Part 15 Subpart B
 ANSI C63.4:2014

This device described above has been tested by HUAKE, and the test results show that the equipment under test (EUT) is in compliance with Part 15 of FCC Rules. And it is applicable only to the tested sample identified in the report.

This report shall not be reproduced except in full, without the written approval of HUAKE, this document may be altered or revised by HUAKE, personal only, and shall be noted in the revision of the document.

Date of Test.....

Date (s) of performance of tests..... Dec. 17, 2019 ~ Dec. 24, 2019

Date of Issue Dec. 24, 2019

Test Result **Pass**

Testing Engineer : Gary Qian
 (Gary Qian)

Technical Manager : Eden Hu
 (Eden Hu)

Authorized Signatory : Jason Zhou
 (Jason Zhou)



1 . TEST SUMMARY	4
1.1 TEST FACILITY	5
1.2 MEASUREMENT UNCERTAINTY	5
2 . GENERAL INFORMATION	6
2.1 GENERAL DESCRIPTION OF EUT	6
2.2 DESCRIPTION OF TEST MODES	7
2.3 DESCRIPTION OF TEST SETUP	8
2.4 DESCRIPTION TEST PERIPHERAL AND EUT PERIPHERAL	8
2.5 MEASUREMENT INSTRUMENTS LIST	9
3 . EMC EMISSION TEST	10
3.1 CONDUCTED EMISSION MEASUREMENT	10
3.1.1 POWER LINE CONDUCTED EMISSION	10
3.1.2 TEST PROCEDURE	11
3.1.3 TEST SETUP	11
3.1.4 EUT OPERATING CONDITIONS	11
3.1.5 TEST RESULTS	12
3.2 RADIATED EMISSION MEASUREMENT	14
3.2.1 LIMITS OF RADIATED EMISSION MEASUREMENT	14
3.2.2 TEST PROCEDURE	14
3.2.3 TEST SETUP	15
3.2.4 EUT OPERATING CONDITIONS	15
3.2.5 TEST RESULTS	16
3.2.6 TEST RESULTS(Above 1GHz)	18
4 . EUT TEST PHOTO	19
5. PHOTOS OF THE EUT	20



1. TEST SUMMARY

Test procedures according to the technical standards:

EMC Emission				
Standard	Test Item	Limit	Judgment	Remark
FCC Part 15 Subpart B ANSI C63.4:2014	Conducted Emission	Class B	PASS	
	Radiated Emission	Class B	PASS	

NOTE:

- (1) 'N/A' denotes test is not applicable in this Test Report
- (2) For client's request and manual description, the test will not be executed.



1.1 TEST FACILITY

Test Firm : Shenzhen HUAKE Testing Technology Co., Ltd.

Address : 1F, B2 Building, Junfeng Zhongcheng Zhizao Innovation Park,
Fuhai Street, Bao'an District, Shenzhen City, China

Designation Number : CN1229

Test Firm Registration Number:616276

IC Registration No.: 21210

The 3m alternate test site of Shenzhen HUAKE Testing Technology Co., Ltd. EMC Laboratory has been registered by Certification and Engineer Bureau of Industry Canada for the performance of with Registration No.: 21210 on May 24, 2016.

1.2 MEASUREMENT UNCERTAINTY

The reported uncertainty of measurement $y \pm U$, where expanded uncertainty U is based on a standard uncertainty multiplied by a coverage factor of $k=2$, providing a level of confidence of approximately **95** %.

Measurement Uncertainty

Conducted Emission Expanded Uncertainty = 2.23dB, k=2

Radiated emission expanded uncertainty(9kHz-30MHz) = 3.08dB, k=2

Radiated emission expanded uncertainty(30MHz-1000MHz) = 4.42dB, k=2

Radiated emission expanded uncertainty(Above 1GHz) = 4.06dB, k=2



2. GENERAL INFORMATION

2.1 GENERAL DESCRIPTION OF EUT

Equipment	Smartee G3				
Model Name	SM3001				
Serial No	SM3001+, SM3001x, PCHQ1				
Model Difference	All model's the function, software and electric circuit are the same, only with a product outward and model named different. Test sample model: SM3001.				
Product Description	<p>The EUT is a Smartee G3</p> <table border="1"><tr><td>Operating frequency:</td><td>N/A</td></tr><tr><td>Connecting I/O port:</td><td>N/A</td></tr></table> <p>Based on the application, features, or specification exhibited in User's Manual, the EUT is considered as an ITE/Computing Device. More details of EUT technical specification, please refer to the User's Manual.</p>	Operating frequency:	N/A	Connecting I/O port:	N/A
Operating frequency:	N/A				
Connecting I/O port:	N/A				
Power Source	AC Voltage				
Power Rating	DC 5V 3A from Adapter				



2.2 DESCRIPTION OF TEST MODES

To investigate the maximum EMI emission characteristics generated from EUT, the test system was pre-scanning tested based on the consideration of following EUT operation mode or test configuration mode which possibly have effect on EMI emission level. Each of these EUT operation mode(s) or test configuration mode(s) mentioned above was evaluated respectively.

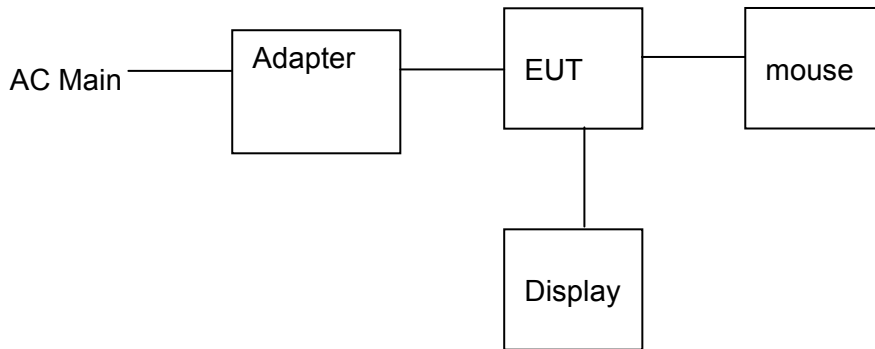
Pretest Mode	Description
Mode 1	Running

For Conducted Test	
Final Test Mode	Description
Mode 1	Running

For Radiated Test	
Final Test Mode	Description
Mode 1	Running

2.3 DESCRIPTION OF TEST SETUP

Operation of EUT during Conducted, Radiation testing:



- Adapter information
 Model: TEKA018-0503000UK
 Input: 100-240V~ 50/60Hz, 0.5Amax
 Output: 5V, 3000mA

2.4 DESCRIPTION TEST PERIPHERAL AND EUT PERIPHERAL

The EUT has been tested as an independent unit together with other necessary accessories or support units. The following support units or accessories were used to form a representative test configuration during the tests.

Item	Equipment	Mfr/Brand	Model/Type No.	Series No.	Note
E-1	Smartee G3	N/A	SM3001	SM3001+, SM3001x, PCHQ1	EUT
	Adapter	N/A	TEKA018-0503000UK	N/A	Adapter
	monitor	N/A	24PFF3661/T3	N/A	monitor
	HDMI	N/A	HDMI2.0 1.5M BC	N/A	HDMI
	mouse	N/A	07233	N/A	mouse
	USB cable	N/A	N/A	N/A	USB cable



2.5 MEASUREMENT INSTRUMENTS LIST

Item	Equipment	Manufacturer	Model No.	Serial No.	Last Cal.	Cal. Interval
1.	L.I.S.N. Artificial Mains Network	R&S	ENV216	HKE-002	Dec. 27, 2018	1 Year
2.	Receiver	R&S	ESCI 7	HKE-010	Dec. 27, 2018	1 Year
3.	RF automatic control unit	Tonscend	JS0806-2	HKE-060	Dec. 27, 2018	1 Year
4.	Spectrum analyzer	R&S	FSP40	HKE-025	Dec. 27, 2018	1 Year
5.	Spectrum analyzer	Agilent	N9020A	HKE-048	Dec. 27, 2018	1 Year
6.	Preamplifier	Schwarzbeck	BBV 9743	HKE-006	Dec. 27, 2018	1 Year
7.	EMI Test Receiver	Rohde & Schwarz	ESCI 7	HKE-010	Dec. 27, 2018	1 Year
8.	Bilog Broadband Antenna	Schwarzbeck	VULB9163	HKE-012	Dec. 27, 2018	1 Year
9.	Loop Antenna	Schwarzbeck	FMZB 1519 B	HKE-014	Dec. 27, 2018	1 Year
10.	Horn Antenna	Schwarzbeck	9120D	HKE-013	Dec. 27, 2018	1 Year
11.	Pre-amplifier	EMCI	EMC05184 5SE	HKE-015	Dec. 27, 2018	1 Year
12.	Pre-amplifier	Agilent	83051A	HKE-016	Dec. 27, 2018	1 Year
13.	EMI Test Software EZ-EMC	Tonscend	JS1120-B Version	HKE-083	Dec. 27, 2018	N/A
14.	Power Sensor	Agilent	E9300A	HKE-086	Dec. 27, 2018	1 Year
15.	Spectrum analyzer	Agilent	N9020A	HKE-048	Dec. 27, 2018	1 Year
16.	Signal generator	Agilent	N5182A	HKE-029	Dec. 27, 2018	1 Year
17.	Signal Generator	Agilent	83630A	HKE-028	Dec. 27, 2018	1 Year
18.	Shielded room	Shiel Hong	4*3*3	HKE-039	Dec. 27, 2018	3 Year



3. EMC EMISSION TEST

3.1 CONDUCTED EMISSION MEASUREMENT

3.1.1 POWER LINE CONDUCTED EMISSION (Frequency Range 150KHz-30MHz)

FREQUENCY (MHz)	Class A (dBuV)		Class B (dBuV)	
	Quasi-peak	Average	Quasi-peak	Average
0.15 -0.5	79.00	66.00	66 - 56 *	56 - 46 *
0.50 -5.0	73.00	60.00	56.00	46.00
5.0 -30.0	73.00	60.00	60.00	50.00

Note:

- (1) The tighter limit applies at the band edges.
- (2) The limit of " * " marked band means the limitation decreases linearly with the logarithm of the frequency in the range.

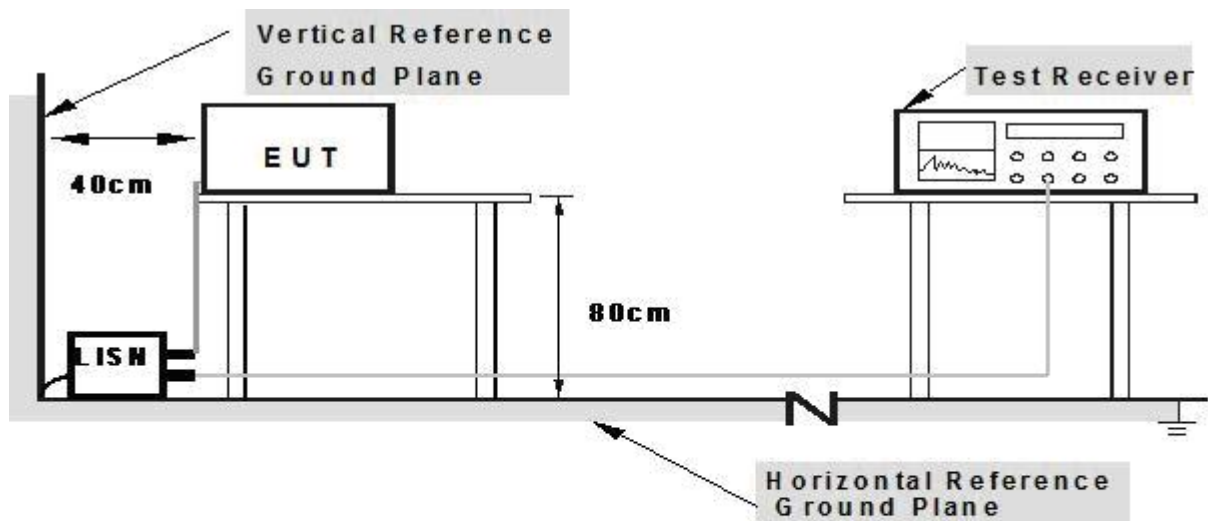
The following table is the setting of the receiver

Receiver Parameters	Setting
Attenuation	10 dB
Start Frequency	0.15 MHz
Stop Frequency	30 MHz
IF Bandwidth	9 kHz

3.1.2 TEST PROCEDURE

- a. The EUT was placed 0.4 meters from the horizontal ground plane with EUT being connected to the power mains through a line impedance stabilization network (LISN). All other support equipments powered from additional LISN(s). The LISN provide 50 Ohm/ 50uH of coupling impedance for the measuring instrument.
- b. Interconnecting cables that hang closer than 40 cm to the ground plane shall be folded back and forth in the center forming a bundle 30 to 40 cm long.
- c. I/O cables that are not connected to a peripheral shall be bundled in the center. The end of the cable may be terminated, if required, using the correct terminating impedance. The overall length shall not exceed 1 m.
- d. LISN at least 80 cm from nearest part of EUT chassis.
- e. For the actual test configuration, please refer to the related Item –EUT Test Photos.

3.1.3 TEST SETUP



Note: 1. Support units were connected to second LISN.

2. Both of LISNs (AMN) are 80 cm from EUT and at least 80 cm from other units and other metal planes

3.1.4 EUT OPERATING CONDITIONS

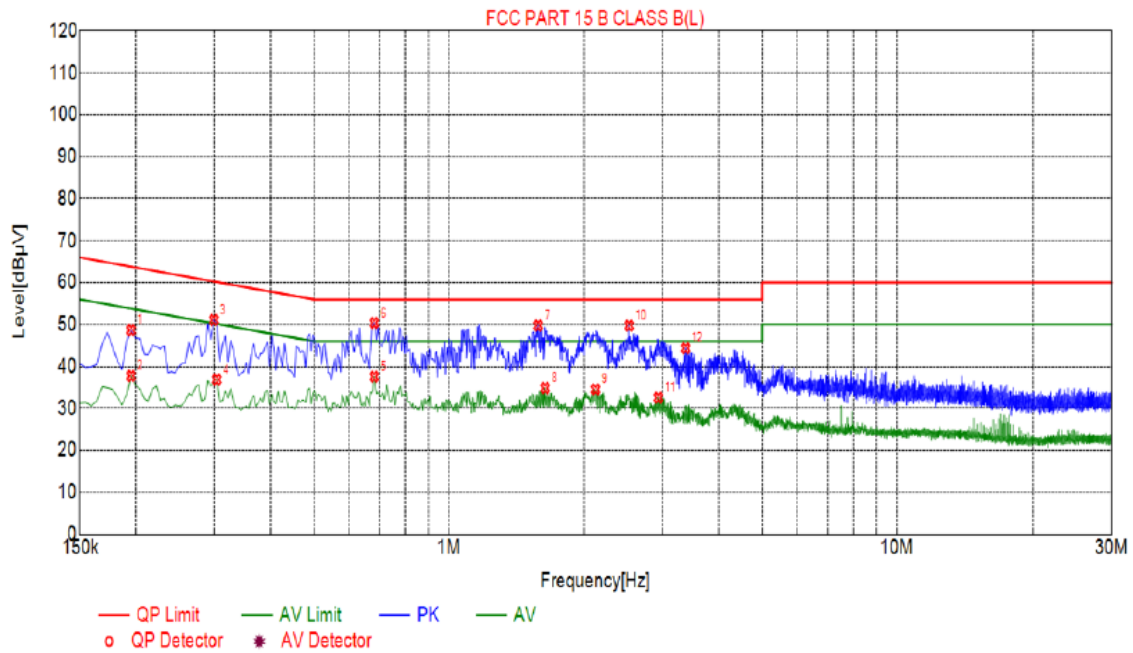
The EUT tested system was configured as the statements of 2.3 Unless otherwise a special operating condition is specified in the follows during the testing.

Remark: We tested AC 120V/60Hz and AC 240V/60Hz, the worst case was recorded.



3.1.5 TEST RESULTS

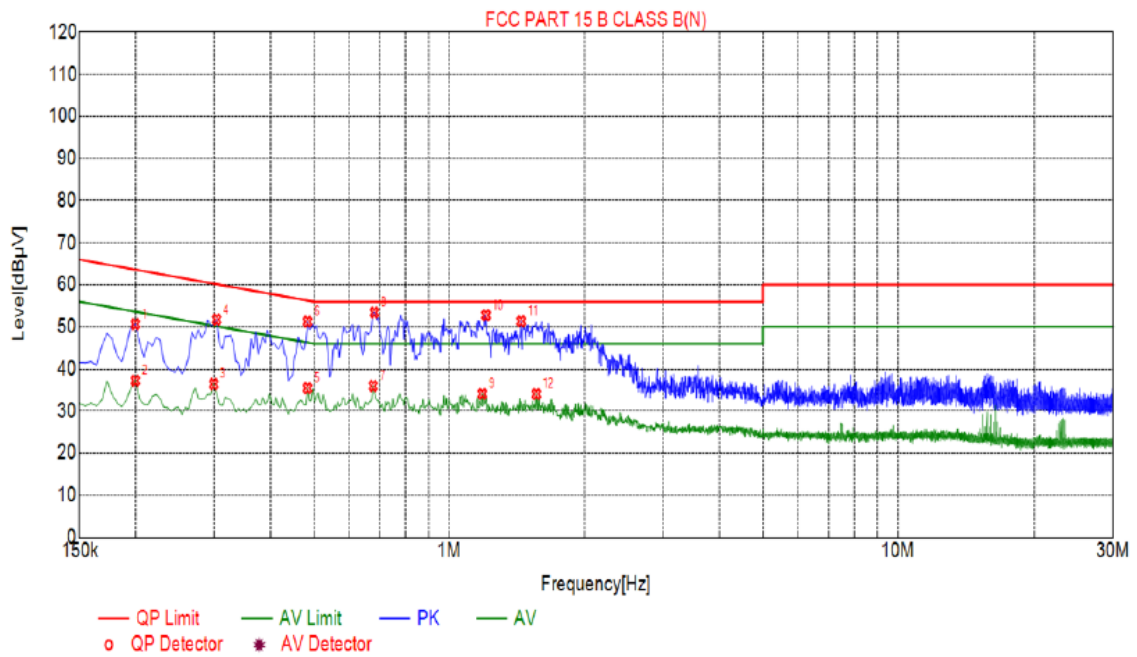
EUT :	Smartee G3	Model Name. :	SM3001
Temperature :	26 °C	Relative Humidity :	54%
Pressure :	1010hPa	Test Date :	2019-12-24
Test Mode :	Running	Phase :	L
Test Voltage :	AC120V/60Hz		



Suspected List								
NO.	Freq. [MHz]	Level [dBµV]	Factor [dB]	Limit [dBµV]	Margin [dB]	Reading [dBµV]	Detector	Type
1	0.1950	48.66	10.03	63.82	15.16	38.63	PK	L
2	0.1950	37.75	10.03	53.82	16.07	27.72	AV	L
3	0.2985	51.10	10.04	60.28	9.18	41.06	PK	L
4	0.3030	36.87	10.04	50.16	13.29	26.83	AV	L
5	0.6810	37.57	10.05	46.00	8.43	27.52	AV	L
6	0.6810	50.38	10.05	56.00	5.62	40.33	PK	L
7	1.5810	49.78	10.11	56.00	6.22	39.67	PK	L
8	1.6395	34.84	10.12	46.00	11.16	24.72	AV	L
9	2.1255	34.54	10.16	46.00	11.46	24.38	AV	L
10	2.5260	49.75	10.19	56.00	6.25	39.56	PK	L
11	2.9355	32.56	10.21	46.00	13.44	22.35	AV	L
12	3.3765	44.36	10.24	56.00	11.64	34.12	PK	L



EUT :	Smartee G3	Model Name. :	SM3001
Temperature :	26 °C	Relative Humidity :	54%
Pressure :	1010hPa	Test Date :	2019-12-24
Test Mode :	Running	Phase :	N
Test Voltage :	AC120V/60Hz		



Suspected List								
NO.	Freq. [MHz]	Level [dBµV]	Factor [dB]	Limit [dBµV]	Margin [dB]	Reading [dBµV]	Detector	Type
1	0.1995	50.66	10.03	63.63	12.97	40.63	PK	N
2	0.1995	37.22	10.03	53.63	16.41	27.19	AV	N
3	0.2985	36.41	10.04	50.28	13.87	26.37	AV	N
4	0.3030	51.74	10.04	60.16	8.42	41.70	PK	N
5	0.4830	35.45	10.04	46.29	10.84	25.41	AV	N
6	0.4830	51.27	10.04	56.29	5.02	41.23	PK	N
7	0.6765	35.96	10.05	46.00	10.04	25.91	AV	N
8	0.6810	53.43	10.05	56.00	2.57	43.38	PK	N
9	1.1850	34.09	10.09	46.00	11.91	24.00	AV	N
10	1.2075	52.80	10.09	56.00	3.20	42.71	PK	N
11	1.4460	51.35	10.10	56.00	4.65	41.25	PK	N
12	1.5630	34.05	10.11	46.00	11.95	23.94	AV	N



3.2 RADIATED EMISSION MEASUREMENT

3.2.1 LIMITS OF RADIATED EMISSION MEASUREMENT

FREQUENCY (MHz)	Class A (at 10m)	Class B (at 3m)
	dBuV/m	dBuV/m
30 ~ 88	39.0	40.0
88 ~ 216	43.5	43.5
216 ~ 960	46.5	46.0
Above 960	49.5	54.0

Notes:

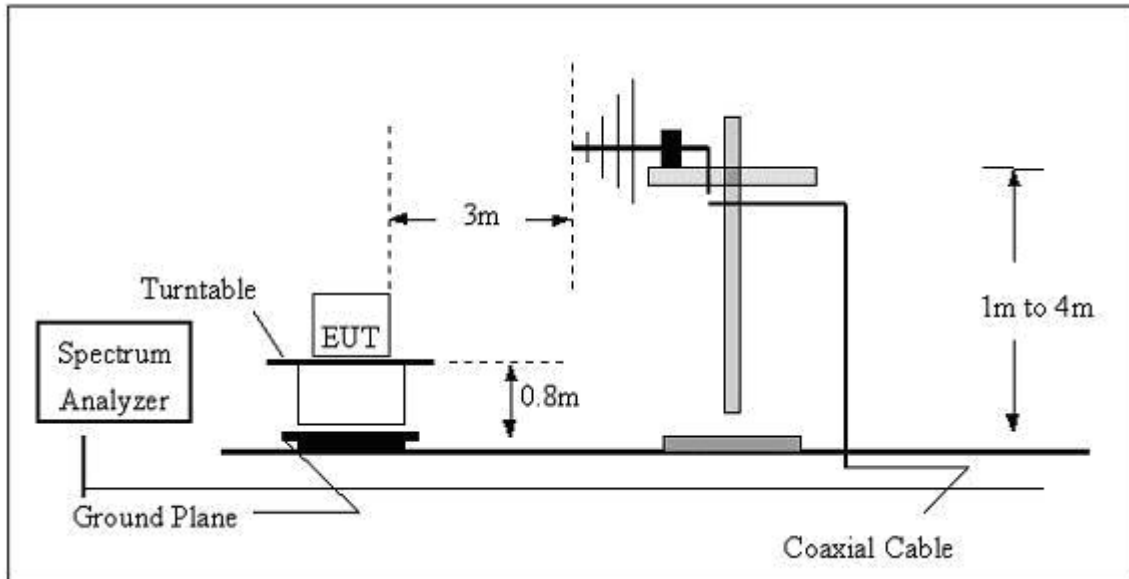
- (1) The limit for radiated test was performed according to as following:
FCC PART 15B /ICES-003.
- (2) The tighter limit applies at the band edges.
- (3) Emission level (dBuV/m)=20log Emission level (uV/m).

3.2.2 TEST PROCEDURE

- a. The measuring distance of at 10 m shall be used for measurements at frequency up to 1GHz. For frequencies above 1GHz, any suitable measuring distance may be used.
- b. The EUT was placed on the top of a rotating table 0.8 meters above the ground at a 10 meter open area test site. The table was rotated 360 degrees to determine the position of the highest radiation.
- c. The height of the equipment or of the substitution antenna shall be 0.8 m; the height of the test antenna shall vary between 1 m to 4 m. Both horizontal and vertical polarizations of the antenna are set to make the measurement.
- d. The initial step in collecting conducted emission data is a spectrum analyzer peak detector mode pre-scanning the measurement frequency range. Significant peaks are then marked and then Quasi Peak detector mode re-measured, above 1G Average detector mode will be instead.
- e. If the Peak Mode measured value compliance with and lower than Quasi Peak Mode Limit, the EUT shall be deemed to meet QP(AV) Limits and then no additional QP Mode measurement performed.
- f. For the actual test configuration, please refer to the related Item –EUT Test Photos.

3.2.3 TEST SETUP

(A) Radiated Emission Test Set-Up Frequency Below 1 GHz



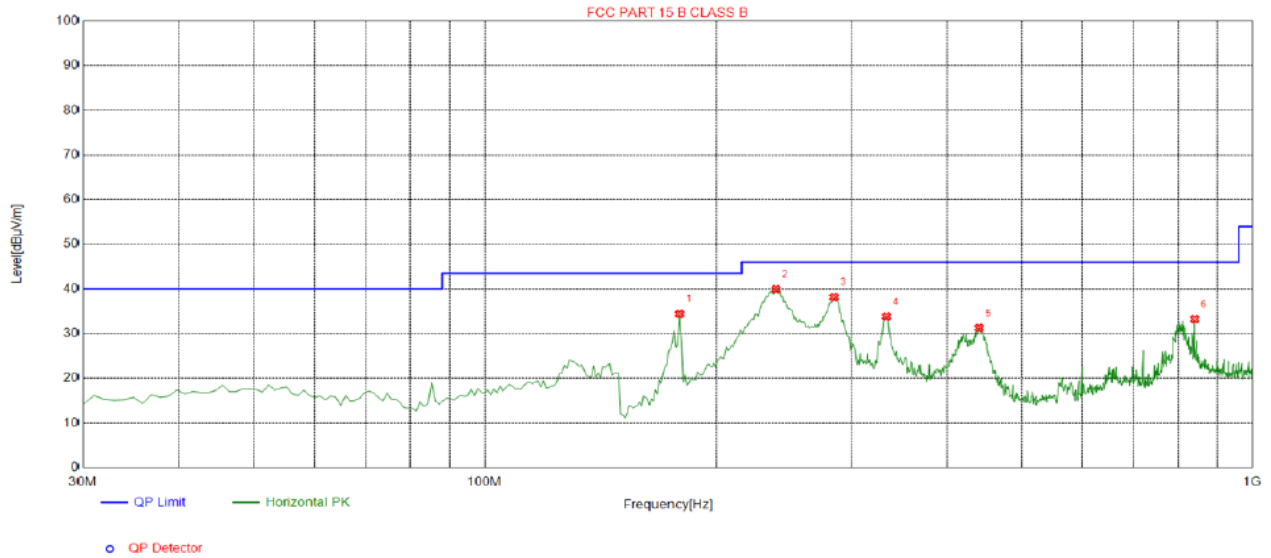
3.2.4 EUT OPERATING CONDITIONS

The EUT tested system was configured as the statements of **2.3** Unless otherwise a special operating condition is specified in the follows during the testing.



3.2.5 TEST RESULTS

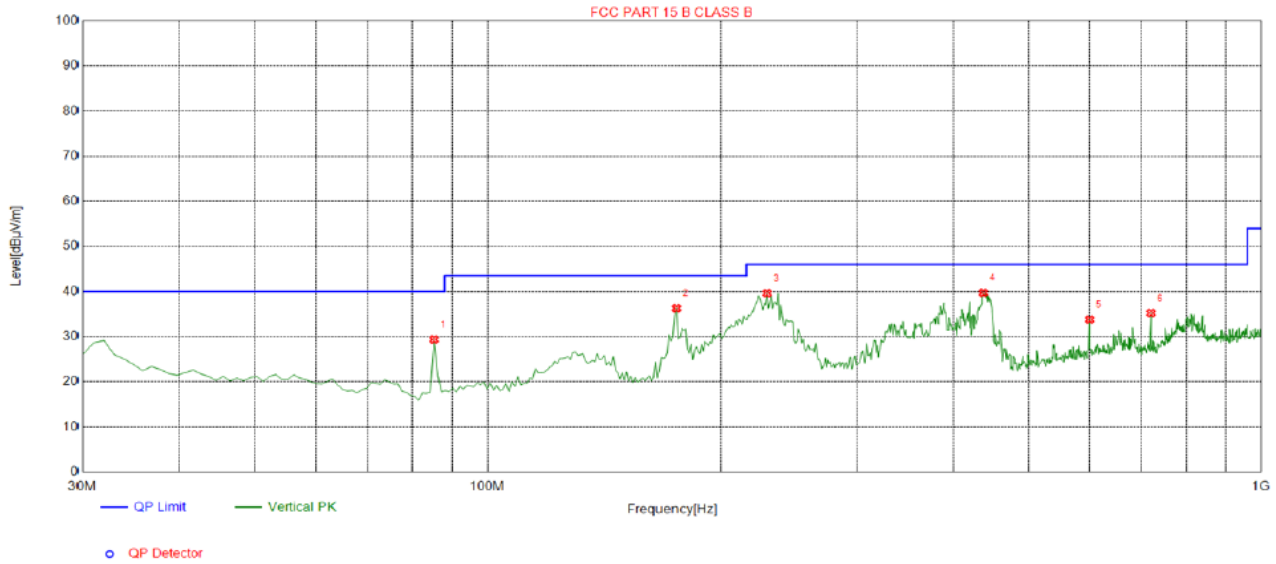
EUT :	Smartee G3	Model Name :	SM3001
Temperature :	24 °C	Relative Humidity :	54%
Pressure :	1010 hPa	Test Date :	2019-12-24
Test Mode :	Running	Polarization :	Horizontal
Test Power :	AC120V/60Hz		



Suspected List									
NO	Freq. [MHz]	Factor [dB]	Reading [dBµV/m]	Level [dBµV/m]	Limit [dBµV/m]	Margin [dB]	Height [cm]	Angle [°]	Polarity
1	179.3800	-16.88	51.28	34.40	43.50	9.10	100	226	Horizontal
2	239.5200	-13.88	53.83	39.95	46.00	6.05	100	319	Horizontal
3	285.1100	-13.04	51.22	38.18	46.00	7.82	100	322	Horizontal
4	333.6100	-11.61	45.46	33.85	46.00	12.15	100	169	Horizontal
5	440.3100	-9.41	40.68	31.27	46.00	14.73	100	319	Horizontal
6	840.9200	-2.57	35.81	33.24	46.00	12.76	100	77	Horizontal



EUT :	Smartee G3	Model Name :	SM3001
Temperature :	24 °C	Relative Humidity :	54%
Pressure :	1010 hPa	Test Date :	2019-12-24
Test Mode :	Running	Polarization :	Vertical
Test Power :	AC120V/60Hz		



Suspected List									
NO	Freq. [MHz]	Factor [dB]	Reading [dBµV/m]	Level [dBµV/m]	Limit [dBµV/m]	Margin [dB]	Height [cm]	Angle [°]	Polarity
1	85.2900	-18.20	47.56	29.36	40.00	10.64	100	191	Vertical
2	175.5000	-17.06	53.34	36.28	43.50	7.22	100	286	Vertical
3	229.8200	-14.32	53.94	39.62	46.00	6.38	100	18	Vertical
4	437.4000	-9.53	49.25	39.72	46.00	6.28	100	325	Vertical
5	600.3600	-6.09	39.87	33.78	46.00	12.22	100	35	Vertical
6	720.6400	-4.70	39.93	35.23	46.00	10.77	100	236	Vertical



3.2.6 TEST RESULTS(Above 1GHz)

EUT :	Smartee G3	Model Name :	SM3001
Temperature :	24 °C	Relative Humidity :	54%
Pressure :	1010 hPa	Test Date :	N/A
Test Mode :	N/A		
Test Power :	N/A		

Note:

- 1) N/A - denotes test is not applicable in this test report
- 2) There was not any unintentional transmission in standby mode

4. EUT TEST PHOTO





5. PHOTOS OF THE EUT

Reference to the reporter : ANNEX A of external photos and ANNEX B of internal photos

-----End of report-----