

USER MANUAL

FAST WIRELESS CHARGING

Product Specification

Model NO: DT-X3

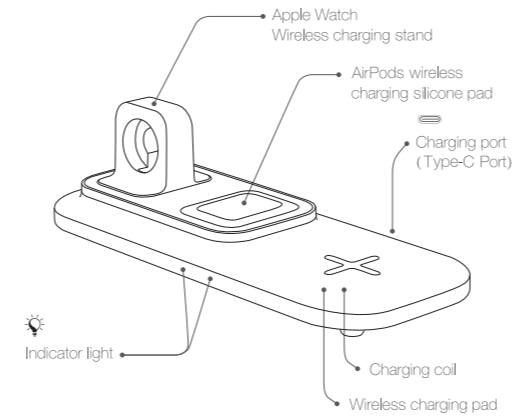
Features:

Function: Wireless charging for mobile phone
 Interface: Type-C
 Input Voltage: 9V
 Input Current: 2A
 Output power: 10W/7.5W

Function: Wireless charging for AirPods
 Input Current : 0.6A
 Output power: 3W

Function: Wireless charging for Apple Watch
 Interface : USB port
 Input Voltage : 5V
 Input Current : 0.6A
 Output power: 3W

Product Show

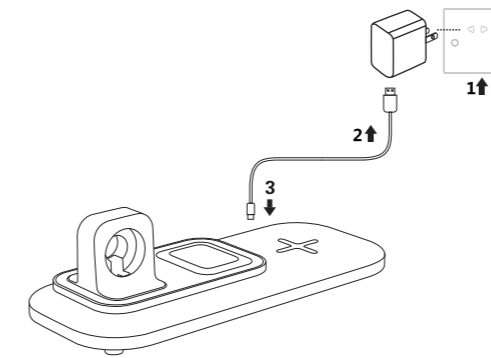


Package Contents:

1pc x Wireless charging
 1pc x 1 meter Type-C Cable
 1pc x User Manual

How to Work

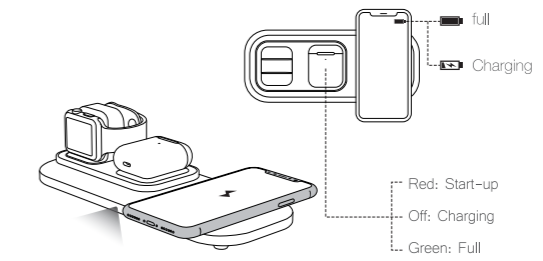
1. Connect a charging to the wireless charging.



Highly recommended to use Q.C 3.0/2.0 charging (9V/2A) and type-c cable with DT-X3 for fast charging. A lower power source may result in longer charging time, charging errors or lower charging efficiency performance.

2. Place a mobile phone & AirPods & Apple Watch on the charger.

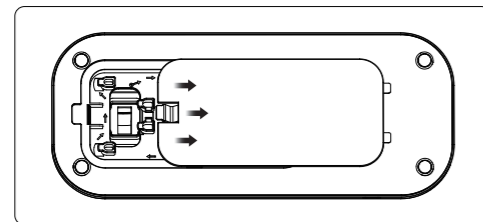
Check the charging icon displayed on the mobile phone's screen for the charging status.
 Check the light of AirPods for the charging status.



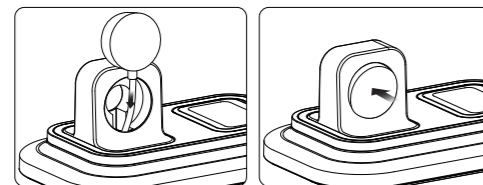
Indicator light identification:

Color of light	Working status
White	Charging
White	Full charged
Flashing white	1. Not charging properly due to a general error 2. Low power input (less than 9V/2A)

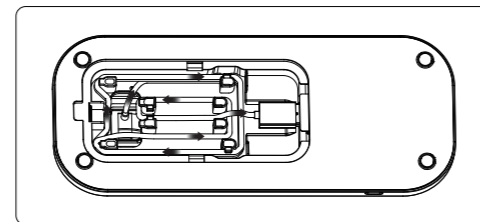
3. DT-X3 Easy Setup



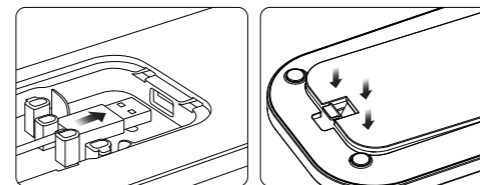
1 open the Bottom Cover.



2 take out the Silicone Stand, and put cable inside.
 3 install iWatch charging well.

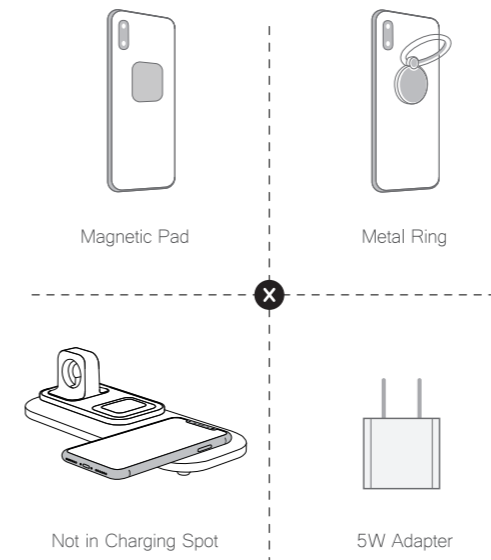
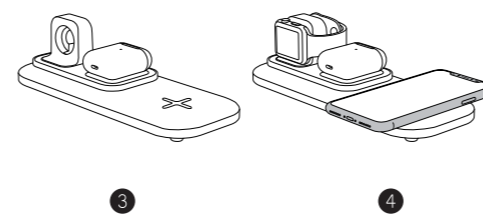
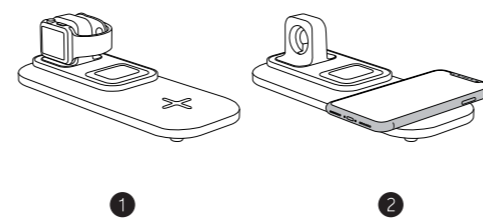


4 wrap the cable as picture shows.



5 connect the USB.
 6 install Bottom Cover well.

4. Charging Modes.



FCC WARNING

This device complies with part 15 of the FCC Rules. Operation is subject to the following two conditions:
 (1) this device may not cause harmful interference, and
 (2) this device must accept any interference received, including interference that may cause undesired operation.
 Any changes or modifications not expressly approved by the party responsible for compliance could void the user's authority to operate the equipment.

NOTE: This equipment has been tested and found to comply with the limits for a Class B digital device, pursuant to Part 15 of the FCC Rules. These limits are designed to provide reasonable protection against harmful interference in a residential installation. This equipment generates, uses and can radiate radio frequency energy and, if not installed and used in accordance with the instructions, may cause harmful interference to radio communications. However, there is no guarantee that interference will not occur in a particular installation. If this equipment does cause harmful interference to radio or television reception, which can be determined by turning the equipment off and on, the user is encouraged to try to correct the interference by one or more of the following measures:
 --- Reorient or relocate the receiving antenna.
 --- Increase the separation between the equipment and receiver.
 --- Connect the equipment into an outlet on a circuit different from that to which the receiver is connected.
 --- Consult the dealer or an experienced radio/TV technician for help.
 FCC Radiation Exposure Statement
 This equipment complies with FCC radiation exposure limits set forth for an uncontrolled environment. This equipment should be installed and operated with a minimum distance of 20 cm between the radiator and your body.

FC CE Enjoy Your Wireless Charging!
 Made in China