


四折页
75mm*100mm
128G铜版纸, 不过膜

正面



USER MANUAL
Qi Universal RGB Wireless Charging Stand

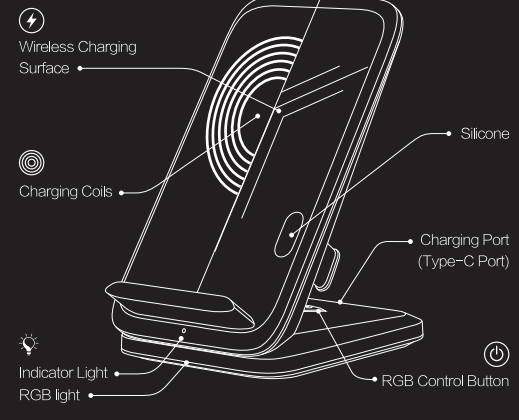
Product Specification

Model NO: DT-G5

Features:

Function: Wireless Charging with RGB Lighting
Interface: Type-C
Input Voltage: 5V/9V/12V
Input Current: 2A/2.2A
Output Power: 15W/10W/7.5W
Dimensions: 124.82 × 106.33 × 75mm

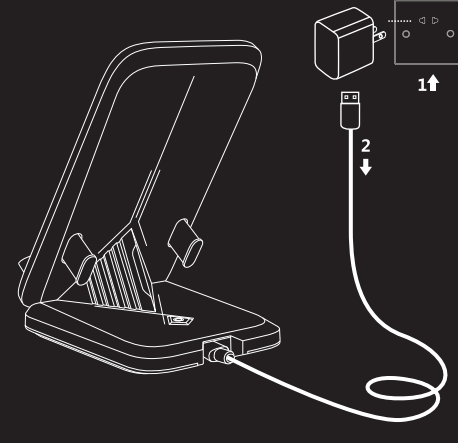
Product Show



1pc x Wireless Charger
1pc x User Manual

How to Work

1. Plug USB charger to a wall outlet, and connect USB cable to the USB charger, then place your phone on the charging Stand to start charging.



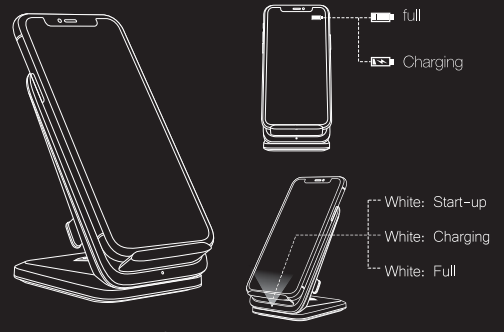
75mm

100mm

背面

2. Place a mobile phone on the charger.

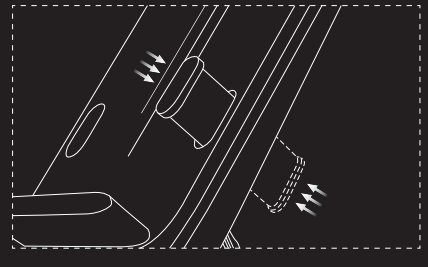
Check the charging icon displayed on the mobile phone's screen for the charging status.



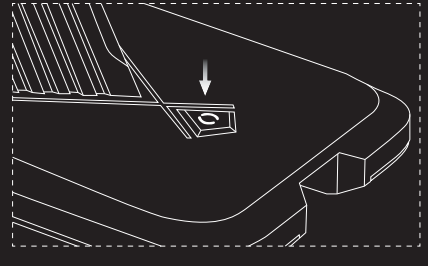
White: Start-up
White: Charging
White: Full

Indicator light identification:

Color of light	Working status
White	Connected to a power outlet
White	Charging
White	Full charged
Flashing White	1. Not charging properly due to a general error 2. Low power input (less than 5V/2A)

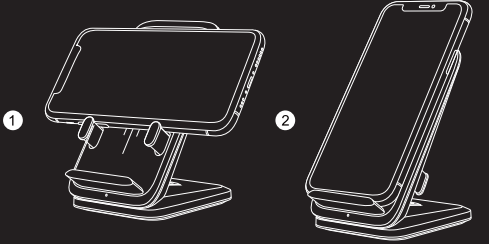


① The hidden silicones can be manually adjusted front and back, it helps with changing charging mode.



② Short press the button, change RGB light.
Long press it, switch RGB light off.

Charging Modes



Product specific safety information

Place the device on flat surface.
Keep the device dry.
Do not attempt to open the device.
Do not place bank cards near the device.
No metal on the back of phone when charging.

FCC Warning

This device complies with part 15 and Part 18 of the FCC Rules. Operation is subject to the following two conditions:
(1) This device may not cause harmful interference
(2) This device must accept any interference received, including interference that may cause undesired operation.



Any changes or modifications not expressly approved by the party responsible for compliance could void the user's authority to operate the equipment.

This equipment has been tested and found to comply with the limits for a Class B digital device, pursuant to part 15 of the FCC Rules. These limits are designed to provide reasonable protection against harmful interference in a residential installation. This equipment generates uses and can radiate radio frequency energy and, if not installed and used in accordance with the instructions, may cause harmful interference to radio communications. However, there is no guarantee that interference will not occur in a particular installation. If this equipment does cause harmful interference to radio or television reception, which can be determined by turning the equipment off and on, the user is encouraged to try to correct the interference by one or more of the following measures:

- Reorient or relocate the receiving antenna.
- Increase the separation between the equipment and receiver.
- Connect the equipment into an outlet on a circuit different from that to which the receiver is connected.
- Consult the dealer or an experienced radio/TV technician for help.

The device has been evaluated to meet general RF exposure requirement. The device can be used in portable exposure condition without restriction.

FCC RF exposure statement:
The equipment complies with FCC radiation exposure limits set forth for an uncontrolled environment. During the operation of device a distance of 15 cm surrounding the device and 20 cm above the top surface of the device must be respected.

FC CE RoHS   FCC ID: 2AVI4-DT-G5