



FCC TEST REPORT

**Test report
On Behalf of
Guangzhou Long Qi Trade Co., Ltd.
For
Desktop Digital Amplifier
Model No.: D503BT;
Please see page 2 for details of series models
FCC ID: 2AVGY-D503BT**

Prepared for : Guangzhou Long Qi Trade Co., Ltd.
No.1154-2 Room , No.111 Airport road, Baiyun District, Guangzhou, China

Prepared By : Shenzhen HUAKE Testing Technology Co., Ltd.
1F, B2 Building, Junfeng Zhongcheng Zhizao Innovation Park, Fuhai Street,
Bao'an District, Shenzhen City, China

Date of Test: Dec. 12, 2019 ~Dec. 18, 2019

Date of Report: Dec. 18, 2019

Report Number: HK1911263210-E



TEST RESULT CERTIFICATION

Applicant's name : Guangzhou Long Qi Trade Co., Ltd.
Address : No.1154-2 Room , No.111 Airport road, Baiyun District, Guangzhou, China

Manufacture's Name..... : Guangzhou Long Qi Trade Co., Ltd.
Address : No.1154-2 Room , No.111 Airport road, Baiyun District, Guangzhou, China

Product description

Trade Mark: DROK

Product name : Desktop Digital Amplifier

Model and/or type reference : D503BT, DAC-D5XX, DAC-D1XX, DAC-D2XX, DAC-D3XX, DAC-D4XX, DAC-D6XX, THA-1XX, THA-2XX, THA-3XX, THA-4XX, THA-5XX, D503XX, D502XX, D302XX, D1002XX, D753XX, D802XX, D1602XX, D1202XX, D152XX, DM-502XX, DM-203XX, DM-802XX, DM-1002XX, DM-1602XX, DHD-1002XX, DHD-802XX, DHD-502XX, DHD-302XX, PHA-1XX, PHA-2XX, PHA-3XX, PHA-4XX, BTR-01XX, BTR-02XX, BTR-03XX, BTR-05XX, BTR-06XX

Standards : FCC Rules and Regulations Part 15 Subpart C Section 15.249
 ANSI C63.10: 2013

This publication may be reproduced in whole or in part for non-commercial purposes as long as the Shenzhen HUAKE Testing Technology Co., Ltd. is acknowledged as copyright owner and source of the material. Shenzhen HUAKE Testing Technology Co., Ltd. takes no responsibility for and will not assume liability for damages resulting from the reader's interpretation of the reproduced material due to its placement and context.

Date of Test

Date (s) of performance of tests : Dec. 12, 2019 ~Dec. 18, 2019

Date of Issue..... : Dec. 18, 2019

Test Result..... : **Pass**

Testing Engineer : Gary Qian
 (Gary Qian)

Technical Manager : Eden Hu
 (Eden Hu)

Authorized Signatory : Jason Zhou
 (Jason Zhou)



Table of Contents	Page
1 . TEST SUMMARY	4
2 . GENERAL INFORMATION	5
2.1 GENERAL DESCRIPTION OF EUT	5
2.2 Operation of EUT during testing	6
2.3 DESCRIPTION OF TEST SETUP	7
2.4 MEASUREMENT INSTRUMENTS LIST	8
3 . CONDUCTED EMISSIONS TEST	9
3.1 Conducted Power Line Emission Limit	9
3.2 Test Setup	9
3.3 Test Procedure	9
3.4 Test Result	10
4 RADIATED EMISSION TEST	12
4.1 Radiation Limit	12
4.2 Test Setup	12
4.3 Test Procedure	13
4.4 Test Result	13
5 out of Band Emissions	19
5.1 Limits	19
5.2 Test Procedure	19
5.3 Test Result	19
6 OCCUPIED BANDWIDTH MEASUREMENT	21
6.1 Test Setup	21
6.2 Test Procedure	21
6.3 Measurement Equipment Used	21
6.4 Test Result	21
7 ANTENNA REQUIREMENT	27
8 PHOTOGRAPH OF TEST	28
8.1 Radiated Emission	28
8.2 Conducted Emission	29
9 PHOTOGRAPH OF TEST	30



1. TEST SUMMARY

1.1 TEST PROCEDURES AND RESULTS

FCC PART 15.249		
CONDUCTED EMISSIONS TEST	§15.207	PASS
RADIATED EMISSION TEST	§15.249 (a) (d)/ §15.209	PASS
out of Band Emissions	§15.249 (d)/ §15.205	PASS
OCCUPIED BANDWIDTH MEASUREMENT	§15.215 (c)	PASS
ANTENNA REQUIREMENT	§15.203	PASS

1.2 TEST FACILITY

Test Firm	:	Shenzhen HUAKE Testing Technology Co., Ltd.
Address	:	1F, B2 Building, Junfeng Zhongcheng Zhizao Innovation Park, Fuhai Street, Bao'an District, Shenzhen City, China
Designation Number	:	CN1229

1.3 MEASUREMENT UNCERTAINTY

Measurement Uncertainty		
Conducted Emission Expanded Uncertainty	=	2.23dB, k=2
Radiated emission expanded uncertainty(9kHz-30MHz)	=	3.08dB, k=2
Radiated emission expanded uncertainty(30MHz-1000MHz)	=	4.42dB, k=2
Radiated emission expanded uncertainty(Above 1GHz)	=	4.06dB, k=2



2. GENERAL INFORMATION

2.1 GENERAL DESCRIPTION OF EUT

Equipment	Desktop Digital Amplifier
Model Name	D503BT
Serial No	DAC-D5XX, DAC-D1XX, DAC-D2XX, DAC-D3XX, DAC-D4XX, DAC-D6XX, THA-1XX, THA-2XX, THA-3XX, THA-4XX, THA-5XX, D503XX, D502XX, D302XX, D1002XX, D753XX, D802XX, D1602XX, D1202XX, D152XX, DM-502XX, DM-203XX, DM-802XX, DM-1002XX, DM-1602XX, DHD-1002XX, DHD-802XX, DHD-502XX, DHD-302XX, PHA-1XX, PHA-2XX, PHA-3XX, PHA-4XX, BTR-01XX, BTR-02XX, BTR-03XX, BTR-05XX, BTR-06XX
Model Difference	All model's the function, software and electric circuit are the same, only with a product color and model named different. Test sample model: D503BT
FCC ID	2AVGY-D503BT
Antenna Type	External Antenna
Antenna Gain	0dBi
BT Operation frequency	2402-2480MHz
Number of Channels	79CH
Modulation Type	GFSK, $\pi/4$ DQPSK, 8DPSK
Power Source	DC 24V, 4.5A from Adapter With AC100-240V, 50/60Hz, 1.8A
Power Rating	DC 24V, 4.5A from Adapter With AC100-240V, 50/60Hz, 1.8A



2.1.1 Carrier Frequency of Channels

Channel List					
Channel	Frequency (MHz)	Channel	Frequency (MHz)	Channel	Frequency (MHz)
00	2402	27	2429	54	2456
01	2403	28	2430	55	2457
02	2404	29	2431	56	2458
03	2405	30	2432	57	2459
04	2406	31	2433	58	2460
05	2407	32	2434	59	2461
06	2408	33	2435	60	2462
07	2409	34	2436	61	2463
08	2410	35	2437	62	2464
09	2411	36	2438	63	2465
10	2412	37	2439	64	2466
11	2413	38	2440	65	2467
12	2414	39	2441	66	2468
13	2415	40	2442	67	2469
14	2416	41	2443	68	2470
15	2417	42	2444	69	2471
16	2418	43	2445	70	2472
17	2419	44	2446	71	2473
18	2420	45	2447	72	2474
19	2421	46	2448	73	2475
20	2422	47	2449	74	2476
21	2423	48	2450	75	2477
22	2424	49	2451	76	2478
23	2425	50	2452	77	2479
24	2426	51	2453	78	2480
25	2427	52	2454		
26	2428	53	2455		

2.2 Operation of EUT during testing

Operating Mode

The mode is used: **Transmitting mode**

Low Channel: 2402MHz

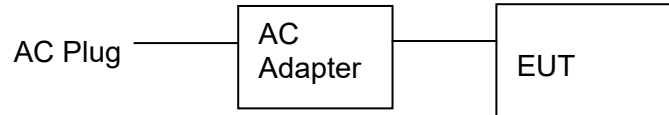
Middle Channel: 2441MHz

High Channel: 2480MHz



2.3 DESCRIPTION OF TEST SETUP

Operation of EUT during testing:



- Adapter information
Model: YU24045
Input: AC100-240V, 50-60Hz, 1.8A
Output: 24VDC, 4.5A

The sample was placed (0.8m below 1GHz, 1.5m above 1GHz) above the ground plane of 3m chamber. Measurements in both horizontal and vertical polarities were performed. During the test, each emission was maximized by: having the EUT continuously working, investigated all operating modes, rotated about all 3 axis (X, Y & Z) and considered typical configuration to obtain worst position, manipulating interconnecting cables, rotating the turntable, varying antenna height from 1m to 4m in both horizontal and vertical polarizations. The emissions worst-case are shown in Test Results of the following pages. The worst case is X position



2.4 MEASUREMENT INSTRUMENTS LIST

Item	Equipment	Manufacturer	Model No.	Serial No.	Last Cal.	Cal. Interval
1.	L.I.S.N. Artificial Mains Network	R&S	ENV216	HKE-002	Dec. 27, 2018	1 Year
2.	Receiver	R&S	ESCI 7	HKE-010	Dec. 27, 2018	1 Year
3.	RF automatic control unit	Tonscend	JS0806-2	HKE-060	Dec. 27, 2018	1 Year
4.	Spectrum analyzer	R&S	FSP40	HKE-025	Dec. 27, 2018	1 Year
5.	Spectrum analyzer	Agilent	N9020A	HKE-048	Dec. 27, 2018	1 Year
6.	Preamplifier	Schwarzbeck	BBV 9743	HKE-006	Dec. 27, 2018	1 Year
7.	EMI Test Receiver	Rohde & Schwarz	ESCI 7	HKE-010	Dec. 27, 2018	1 Year
8.	Bilog Broadband Antenna	Schwarzbeck	VULB9163	HKE-012	Dec. 27, 2018	1 Year
9.	Loop Antenna	Schwarzbeck	FMZB 1519 B	HKE-014	Dec. 27, 2018	1 Year
10.	Horn Antenna	Schwarzbeck	9120D	HKE-013	Dec. 27, 2018	1 Year
11.	Pre-amplifier	EMCI	EMC051845 SE	HKE-015	Dec. 27, 2018	1 Year
12.	Pre-amplifier	Agilent	83051A	HKE-016	Dec. 27, 2018	1 Year
13.	EMI Test Software EZ-EMC	Tonscend	JS1120-B Version	HKE-083	Dec. 27, 2018	N/A
14.	Power Sensor	Agilent	E9300A	HKE-086	Dec. 27, 2018	1 Year
15.	Spectrum analyzer	Agilent	N9020A	HKE-048	Dec. 27, 2018	1 Year
16.	Signal generator	Agilent	N5182A	HKE-029	Dec. 27, 2018	1 Year
17.	Signal Generator	Agilent	83630A	HKE-028	Dec. 27, 2018	1 Year
18.	Shielded room	Shiel Hong	4*3*3	HKE-039	Dec. 27, 2018	3 Year
19.	Horn Antenna	Schwarzbeck	BBHA 9170	HKE-017	Dec. 27, 2018	1 Year



3. CONDUCTED EMISSIONS TEST

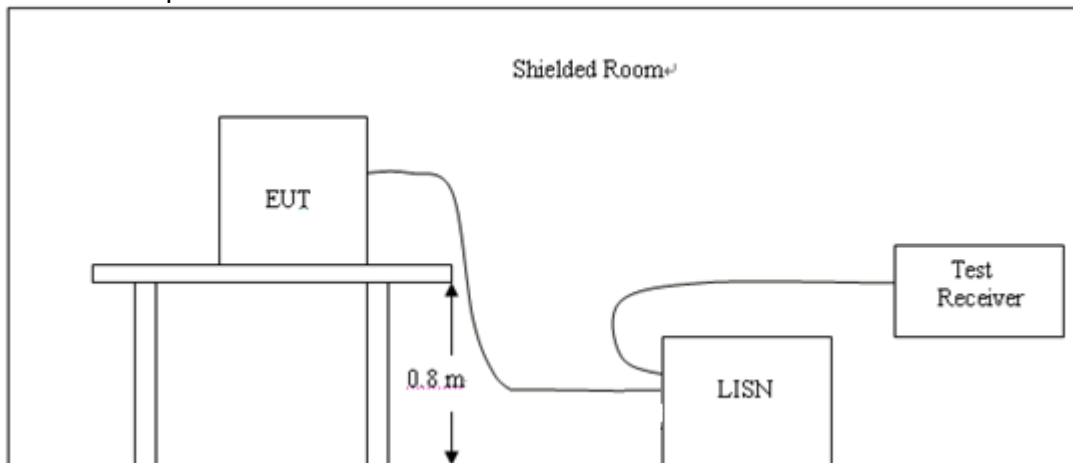
3.1 Conducted Power Line Emission Limit

For intentional device, according to § 15.207(a) Line Conducted Emission Limits is as following

Frequency (MHz)	Maximum RF Line Voltage (dB μ V)			
	CLASS A		CLASS B	
	Q.P.	Ave.	Q.P.	Ave.
0.15 - 0.50	79	66	66-56*	56-46*
0.50 - 5.00	73	60	56	46
5.00 - 30.0	73	60	60	50

* Decreasing linearly with the logarithm of the frequency

3.2 Test Setup



3.3 Test Procedure

- 1, The equipment was set up as per the test configuration to simulate typical actual usage per the user's manual. The EUT is a tabletop system, a wooden table with a height of 0.8 meters is used and is placed on the ground plane as per ANSI C63.10.
- 2, Support equipment, if needed, was placed as per ANSI C63.10.
- 3, All I/O cables were positioned to simulate typical actual usage as per ANSI C63.10.
- 4, If a EUT received DC power from the USB Port of Notebook PC, the PC's adapter received AC120V/60Hz power through a Line Impedance Stabilization Network (LISN) which supplied power source and was grounded to the ground plane.
- 5, All support equipments received AC power from a second LISN, if any.
- 6, The EUT test program was started. Emissions were measured on each current carrying line of the EUT using a spectrum Analyzer / Receiver connected to the LISN powering the EUT. The LISN has two monitoring points: Line 1 (Hot Side) and Line 2 (Neutral Side). Two scans were taken: one with Line 1 connected to Analyzer / Receiver and Line 2 connected to a 50 ohm load; the second scan had Line 1 connected to a 50 ohm load and Line 2 connected to the Analyzer / Receiver.
- 7, Analyzer / Receiver scanned from 150 KHz to 30MHz for emissions in each of the test modes.



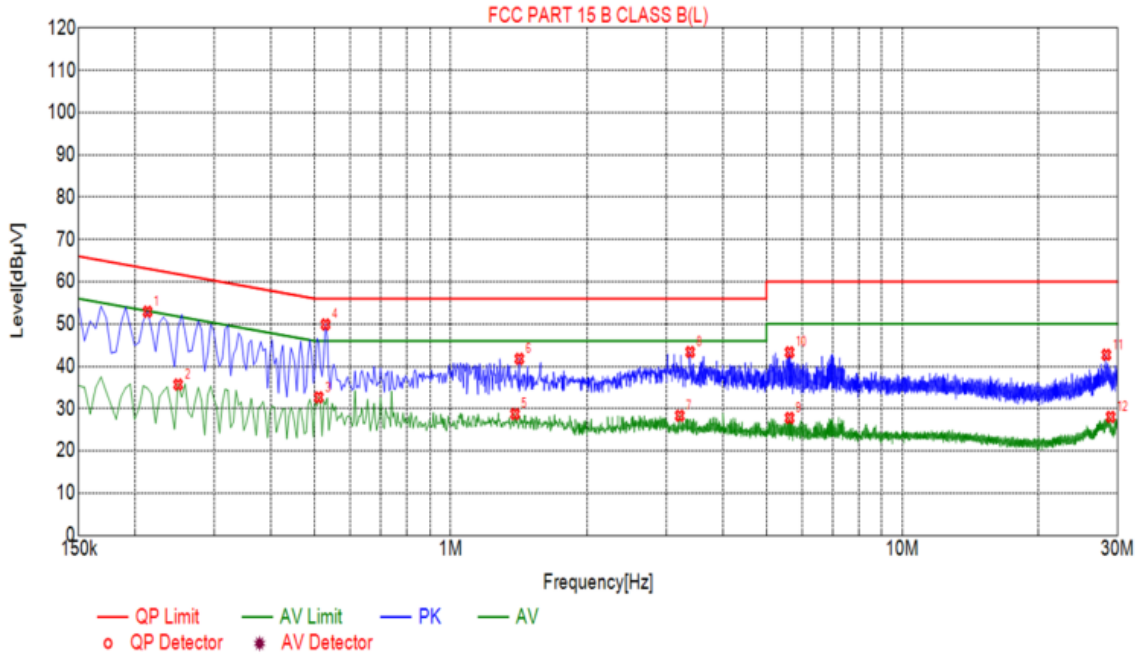
3.4 Test Result

PASS

All the test modes completed for test. only the worst result of AC240/60Hz(GFSK High Channel) was reported

as below:

Test Specification: Line

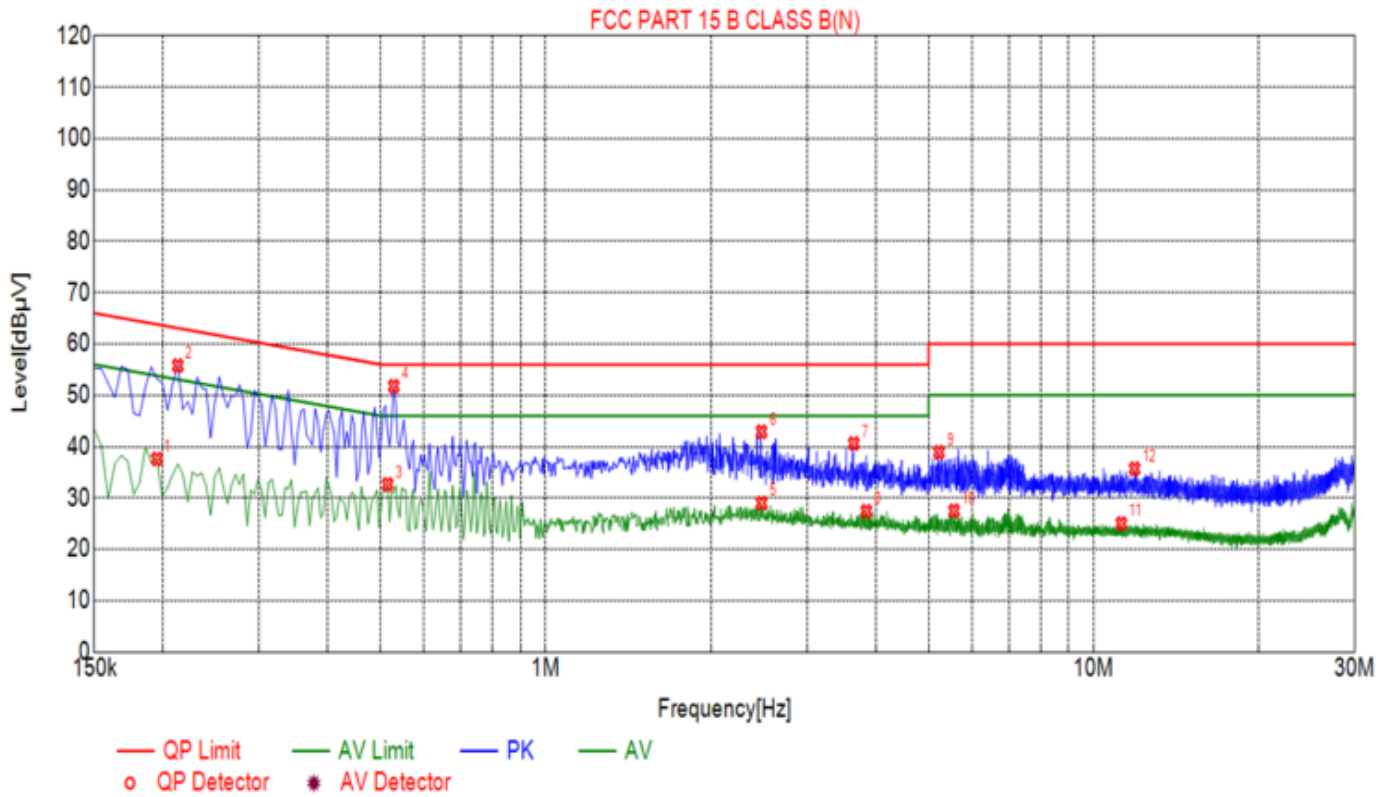


Suspected List								
NO.	Freq. [MHz]	Level [dBµV]	Factor [dB]	Limit [dBµV]	Margin [dB]	Reading [dBµV]	Detector	Type
1	0.2130	52.92	10.05	63.09	10.17	42.87	PK	L
2	0.2490	35.69	10.04	51.79	16.10	25.65	AV	L
3	0.5100	32.67	10.04	46.00	13.33	22.63	AV	L
4	0.5280	49.90	10.04	56.00	6.10	39.86	PK	L
5	1.3875	28.73	10.11	46.00	17.27	18.62	AV	L
6	1.4190	41.77	10.11	56.00	14.23	31.66	PK	L
7	3.2145	28.32	10.23	46.00	17.68	18.09	AV	L
8	3.3900	43.39	10.24	56.00	12.61	33.15	PK	L
9	5.6265	27.80	10.25	50.00	22.20	17.55	AV	L
10	5.6265	43.32	10.25	60.00	16.68	33.07	PK	L
11	28.2975	42.72	10.26	60.00	17.28	32.46	PK	L
12	28.9320	28.04	10.26	50.00	21.96	17.78	AV	L

Remark: Margin = Limit – Level
 Correction factor = Cable lose + LISN insertion loss
 Level=Test receiver reading + correction factor



Test Specification: Neutral



Suspected List								
NO.	Freq. [MHz]	Level [dBµV]	Factor [dB]	Limit [dBµV]	Margin [dB]	Reading [dBµV]	Detector	Type
1	0.1950	37.59	10.03	53.82	16.23	27.56	AV	N
2	0.2130	55.79	10.05	63.09	7.30	45.74	PK	N
3	0.5145	32.67	10.04	46.00	13.33	22.63	AV	N
4	0.5280	51.76	10.04	56.00	4.24	41.72	PK	N
5	2.4765	29.02	10.19	46.00	16.98	18.83	AV	N
6	2.4765	42.92	10.19	56.00	13.08	32.73	PK	N
7	3.6510	40.62	10.25	56.00	15.38	30.37	PK	N
8	3.8490	27.42	10.25	46.00	18.58	17.17	AV	N
9	5.2215	38.90	10.26	60.00	21.10	28.64	PK	N
10	5.5635	27.51	10.25	50.00	22.49	17.26	AV	N
11	11.2380	25.02	10.00	50.00	24.98	15.02	AV	N
12	11.8860	35.71	9.99	60.00	24.29	25.72	PK	N

Remark: Margin = Limit – Level

Correction factor = Cable lose + LISN insertion loss

Level=Test receiver reading + correction factor

4 RADIATED EMISSION TEST

4.1 Radiation Limit

For intentional device, according to § 15.209(a), the field strength of radiated emissions from unintentional radiators at a distance of 3 meters shall not exceed the following values:

Frequency (MHz)	Distance (Meters)	Radiated (dBµV/m)	Radiated (µV/m)
0.009-0.49	3	$20\log(2400/F(\text{KHz}))+40\log(300/3)$	$2400/F(\text{KHz})$
0.49-1.705	3	$20\log(24000/F(\text{KHz}))+ 40\log(30/3)$	$24000/F(\text{KHz})$
1.705-30	3	$20\log(30)+ 40\log(30/3)$	30
30-88	3	40.0	100
88-216	3	43.5	150
216-960	3	46.0	200
Above 960	3	54.0	500

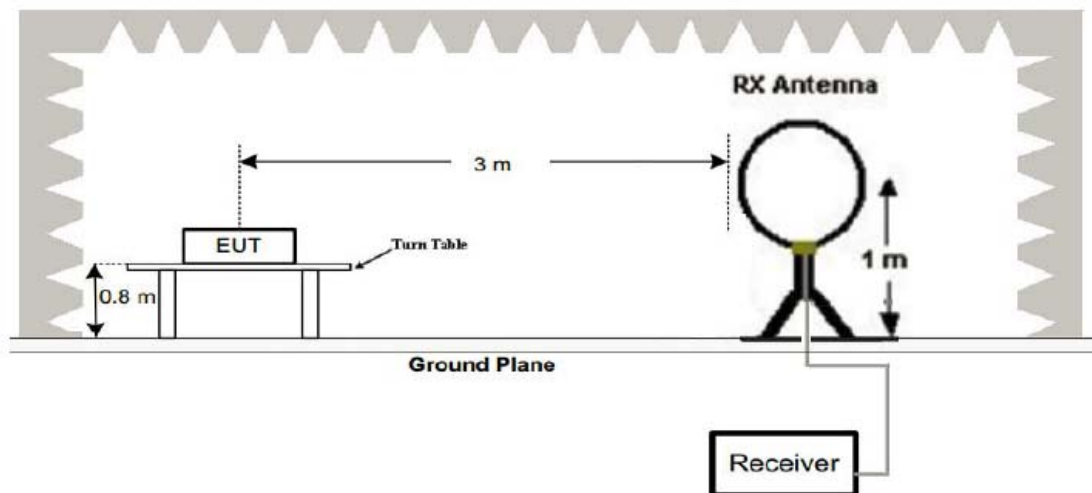
§15.249(a) The field strength of emissions from intentional radiators operated within these frequency bands shall comply with the following:

Fundamental frequency	Field strength of fundamental (millivolts/meter)	Field strength of harmonics (microvolts/meter)
2400-2483.5 MHz	50	500

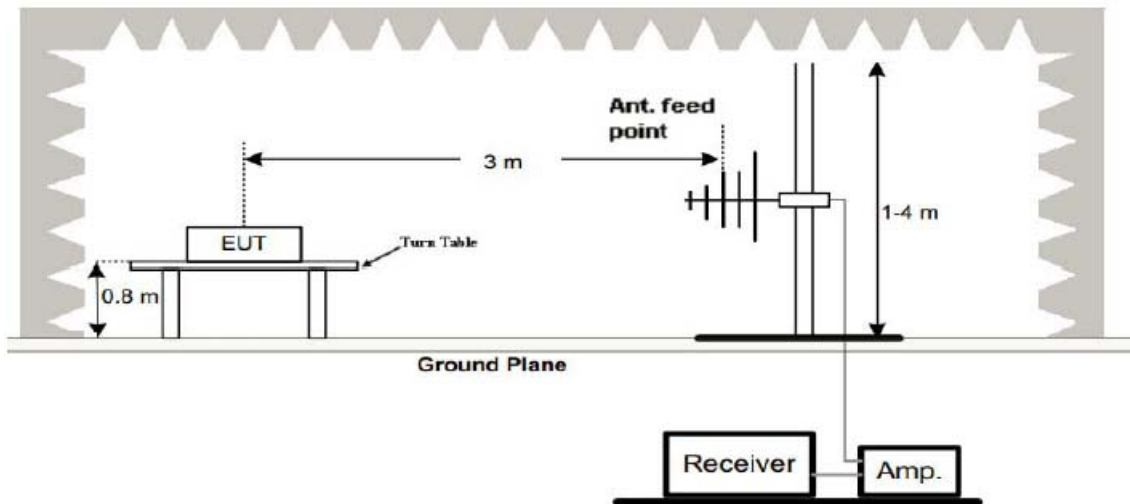
§15.249(e) – As shown in §15.35(b), for frequencies above 1000 MHz, the field strength limits in paragraphs (a) and (b) of this section are based on average limits. However, the peak field strength of any emission shall not exceed the maximum permitted average limits specified above by more than 20 dB under any condition of modulation.

4.2 Test Setup

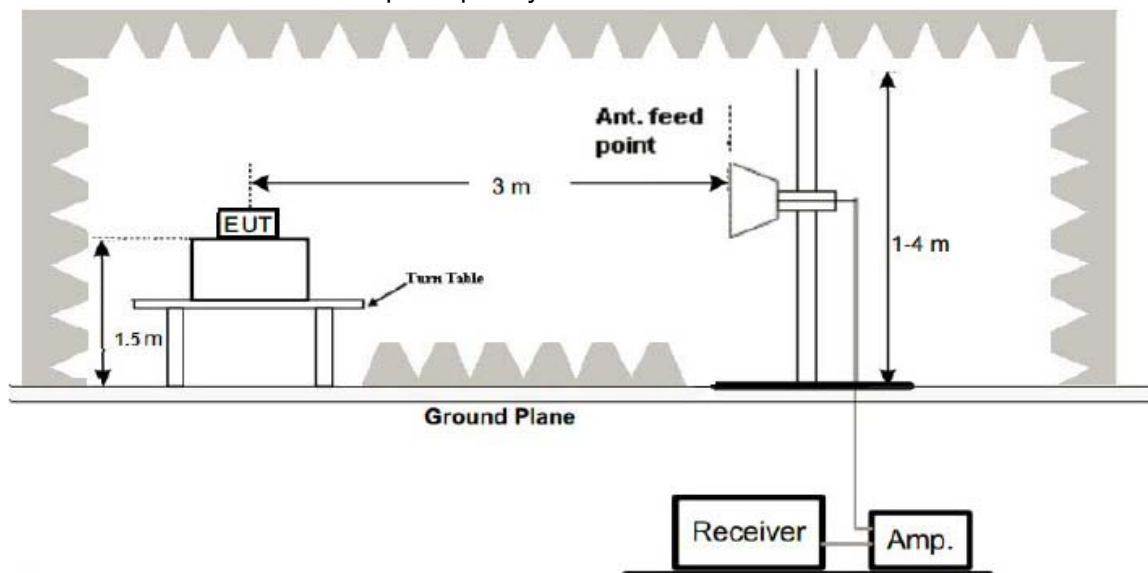
(1) Radiated Emission Test-Up Frequency Below 30MHz



(2) Radiated Emission Test-Up Frequency 30MHz~1GHz



(3) Radiated Emission Test-Up Frequency Above 1GHz



4.3 Test Procedure

1. Below 1GHz measurement the EUT is placed on turntable which is 0.8m above ground plane. And above 1GHz measurement EUT was placed on low permittivity and low tangent turn table which is 1.5m above ground plane.
2. The turntable shall be rotated for 360 degrees to determine the position of maximum emission level..
3. EUT is set 3m away from the receiving antenna, which is varied from 1m to 4m to find out the highest emissions.
4. Maximum procedure was performed on the six highest emissions to ensure EUT compliance.
5. And also, each emission was to be maximized by changing the polarization of receiving antenna both horizontal and vertical.
6. Repeat above procedures until the measurements for all frequencies are complete.
7. The test frequency range from 9KHz to25GHz per FCC PART 15.33(a).

Note:

For battery operated equipment, the equipment tests shall be performed using a new battery.

4.4 Test Result

PASS



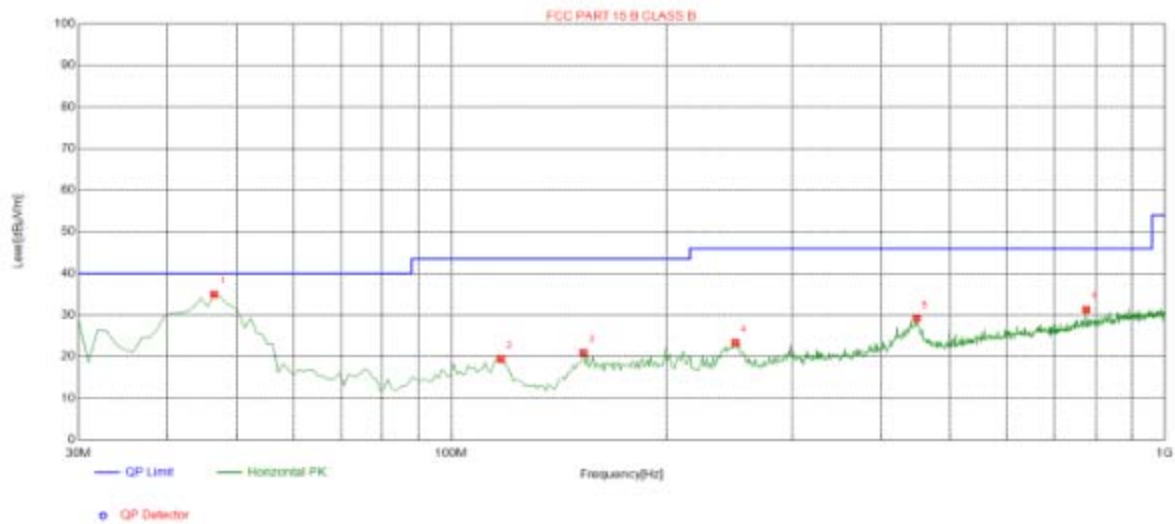
About 30MHz-1GHz

Note:

All the test modes completed for test. only the worst result of AC240/60Hz(GFSK High Channel) was reported

as below:

Horizontal



Suspected List								
NO.	Freq. [MHz]	Level [dBµV/m]	Factor [dB]	Limit [dBµV/m]	Margin [dB]	Height [cm]	Angle [°]	Polarity
1	46.4900	34.95	-13.65	40.00	5.05	100	360	Horizontal
2	117.300	19.43	-16.65	43.50	24.07	100	118	Horizontal
3	153.190	20.97	-18.71	43.50	22.53	100	22	Horizontal
4	250.190	23.39	-13.39	46.00	22.61	100	28	Horizontal
5	449.040	29.21	-9.03	46.00	16.79	100	67	Horizontal
6	775.930	31.31	-3.26	46.00	14.69	100	322	Horizontal

Remark:

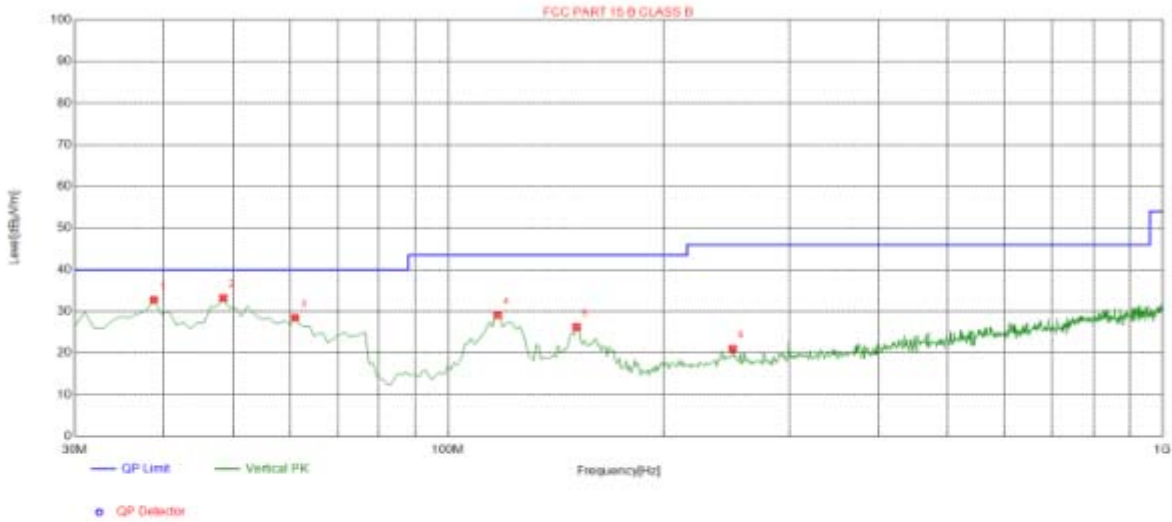
Margin = Limit – Level

Level=Test receiver reading + factor

Factor= Antenna factor + cable loss- Amp factor



Vertical



Suspected List								
NO.	Freq. [MHz]	Level [dBµV/m]	Factor [dB]	Limit [dBµV/m]	Margin [dB]	Height [cm]	Angle [°]	Polarity
1	38.7300	32.77	-14.95	40.00	7.23	100	2	Vertical
2	48.4300	33.19	-13.65	40.00	6.81	100	316	Vertical
3	61.0400	28.50	-15.42	40.00	11.50	100	319	Vertical
4	117.300	29.11	-16.65	43.50	14.39	100	254	Vertical
5	151.250	26.25	-18.85	43.50	17.25	100	194	Vertical
6	250.190	21.06	-13.39	46.00	24.94	100	56	Vertical

Remark:
 Margin = Limit – Level
 Level=Test receiver reading + factor
 Factor= Antenna factor + cable loss- Amp factor

Harmonics and Spurious Emissions

Frequency Range (9 kHz-30MHz)

Frequency (MHz)	Level@3m (dBµV/m)	Limit@3m (dBµV/m)
--	--	--
--	--	--
--	--	--
--	--	--

Note:1. Emission Level=Reading+ Cable loss+ Antenna factor-Amp factor

2. The emission levels are 20 dB below the limit value, which are not reported. It is deemed to comply with the requirement



Above 1 GHz Test Results:

CH Low (2402MHz)

Horizontal:

Frequency	Reading Result	Factor	Emission Level	Limits	Margin	Detector Type
(MHz)	(dB μ V)	(dB)	(dB μ V/m)	(dB μ V/m)	(dB)	
2402	110.54	-5.81	104.73	114.00	-9.27	peak
2402	88.06	-5.81	82.25	94.00	-11.75	AVG
4804	57.13	-3.65	53.48	74.00	-20.52	peak
4804	52.18	-3.65	48.53	54.00	-5.47	AVG
7206	58.34	-0.95	57.39	74.00	-16.61	peak
7206	41.25	-0.95	40.30	54.00	-13.70	AVG

Remark: Factor = Antenna Factor + Cable Loss – Pre-amplifier.

Vertical:

Frequency	Reading Result	Factor	Emission Level	Limits	Margin	Detector Type
(MHz)	(dB μ V)	(dB)	(dB μ V/m)	(dB μ V/m)	(dB)	
2402	110.75	-5.81	104.94	114.00	-9.06	peak
2402	85.23	-5.81	79.42	94.00	-14.58	AVG
4804	58.66	-3.65	55.01	74.00	-18.99	peak
4804	47.15	-3.65	43.50	54.00	-10.50	AVG
7206	58.31	-0.95	57.36	74.00	-16.64	peak
7206	43.05	-0.95	42.10	54.00	-11.90	AVG

Remark: Factor = Antenna Factor + Cable Loss – Pre-amplifier.



CH Middle (2441MHz)

Horizontal:

Frequency	Reading Result	Factor	Emission Level	Limits	Margin	Detector Type
(MHz)	(dB μ V)	(dB)	(dB μ V/m)	(dB μ V/m)	(dB)	
2441.00	108.42	-5.73	102.69	114.00	-11.31	peak
2441.00	85.37	-5.73	79.64	94.00	-14.36	AVG
4882.00	56.23	-3.54	52.69	74.00	-21.31	peak
4882.00	47.58	-3.54	44.04	54.00	-9.96	AVG
7323.00	54.21	-0.81	53.40	74.00	-20.60	peak
7323.00	40.63	-0.81	39.82	54.00	-14.18	AVG

Remark: Factor = Antenna Factor + Cable Loss – Pre-amplifier.

Vertical:

Frequency	Reading Result	Factor	Emission Level	Limits	Margin	Detector Type
(MHz)	(dB μ V)	(dB)	(dB μ V/m)	(dB μ V/m)	(dB)	
2441.00	106.05	-5.73	100.32	114.00	-13.68	peak
2441.00	85.34	-5.73	79.61	94.00	-14.39	AVG
4882.00	59.17	-3.54	55.63	74.00	-18.37	peak
4882.00	46.55	-3.54	43.01	54.00	-10.99	AVG
7323.00	58.36	-0.81	57.55	74.00	-16.45	peak
7323.00	39.07	-0.81	38.26	54.00	-15.74	AVG

Remark: Factor = Antenna Factor + Cable Loss – Pre-amplifier.



CH High (2480MHz)

Horizontal:

Frequency	Reading Result	Factor	Emission Level	Limits	Margin	Detector Type
(MHz)	(dB μ V)	(dB)	(dB μ V/m)	(dB μ V/m)	(dB)	
2480	107.18	-5.63	101.55	114.00	-12.45	peak
2480	87.64	-5.63	82.01	94.00	-11.99	AVG
4960	57.28	-3.43	53.85	74.00	-20.15	peak
4960	47.06	-3.43	43.63	54.00	-10.37	AVG
7440	59.34	-0.77	58.57	74.00	-15.43	peak
7440	39.66	-0.77	38.89	54.00	-15.11	AVG

Remark: Factor = Antenna Factor + Cable Loss – Pre-amplifier.

Vertical:

Frequency	Reading Result	Factor	Emission Level	Limits	Margin	Detector Type
(MHz)	(dB μ V)	(dB)	(dB μ V/m)	(dB μ V/m)	(dB)	
2480	107.78	-5.63	102.15	114.00	-11.85	peak
2480	81.23	-5.63	75.60	94.00	-18.40	AVG
4960	57.64	-3.43	54.21	74.00	-19.79	peak
4960	49.18	-3.43	45.75	54.00	-8.25	AVG
7440	55.22	-0.77	54.45	74.00	-19.55	peak
7440	40.07	-0.77	39.30	54.00	-14.70	AVG

Remark: Factor = Antenna Factor + Cable Loss – Pre-amplifier.

Remark :

- (1) Measuring frequencies from 1 GHz to the 25 GHz.
- (2) "F" denotes fundamental frequency; "H" denotes spurious frequency. "E" denotes band edge frequency.
- (3) * denotes emission frequency which appearing within the Restricted Bands specified in provision of 15.205, then the general radiated emission limits in 15.209 apply.
- (4) The emissions are attenuated more than 20dB below the permissible limits are not record in the report.
- (5) The IF bandwidth of EMI Test Receiver between 30MHz to 1GHz was 120KHz, 1 MHz for measuring above 1 GHz, below 30MHz was 9KHz. The resolution bandwidth of test receiver/spectrum analyzer is 1MHz and video bandwidth is 3MHz for peak measurement with peak detector at frequency above 1GHz. The resolution bandwidth of test receiver/spectrum analyzer is 1MHz and video bandwidth is 10Hz for Average measurement with peak detection at frequency above 1GHz.
- (6) When the test results of Peak Detected below the limits of Average Detected, the Average Detected is not need completed. For example: Top Channel at Fundamental 73.16dBuV/m(PK Value) <93.98(AV Limit), at harmonic 53.20 dBuV/m(PK Value) <54 dBuV/m(AV Limit), the Average Detected not need to completed.
- (7) All modes of operation were investigated and the worst-case(GFSK) emissions is reported.



5 out of Band Emissions

5.1 Limits

FCC PART 15.249(d) Emissions radiated outside of the specified frequency bands, except for harmonics, shall be attenuated by at least 50 dB below the level of the fundamental or to the general radiated emission limits in §15.209, whichever is the lesser attenuation.

5.2 Test Procedure

The out of band emission should be measured by following guidance in ANSI C63.10:2013 with respect to maximizing the emission by rotating the EUT, measuring the emission while the EUT is situated in three orthogonal planes (if appropriate), adjusting the measurement antenna height and polarization ect.

1. The resolution bandwidth and video bandwidth of test receiver/spectrum analyzer is 120kHz for Quasi-peak detection (QP) at frequency below 1GHz.
2. The resolution bandwidth of test receiver/spectrum analyzer is 1 MHz and the video bandwidth is 3 MHz for Peak detection (PK) at frequency above 1GHz.
3. The resolution bandwidth of test receiver/spectrum analyzer is 1 MHz and the video bandwidth is 3 MHz for Average detection (AV) at frequency above 1GHz.

5.3 Test Result

PASS

All the test modes completed for test. The worst case of Band Edge is GFSK mode; the test data of this mode was reported.

Radiated Band Edge Test:

Operation Mode: TX CH Low (2402MHz)

Horizontal (Worst case):

Frequency (MHz)	Reading Result (dB μ V)	Factor (dB)	Emission Level (dB μ V/m)	Limits (dB μ V/m)	Margin (dB)	Detector Type
2310.00	59.88	-5.81	54.07	74	-19.93	peak
2310.00	40.13	-5.81	34.32	54	-19.68	AVG
2390.00	59.06	-5.84	53.22	74	-20.78	peak
2390.00	45.02	-5.84	39.18	54	-14.82	AVG
2400.00	57.48	-5.84	51.64	74	-22.36	peak
2400.00	39.65	-5.84	33.81	54	-20.19	AVG

Remark: Factor = Antenna Factor + Cable Loss – Pre-amplifier.



Vertical:

Frequency	Reading Result	Factor	Emission Level	Limits	Margin	Detector Type
(MHz)	(dB μ V)	(dB)	(dB μ V/m)	(dB μ V/m)	(dB)	
2310.00	63.46	-5.81	57.65	74	-16.35	peak
2310.00	44.52	-5.81	38.71	54	-15.29	AVG
2390.00	58.13	-5.84	52.29	74	-21.71	peak
2390.00	45.36	-5.84	39.52	54	-14.48	AVG
2400.00	51.27	-5.84	45.43	74	-28.57	peak
2400.00	38.49	-5.84	32.65	54	-21.35	AVG

Remark: Factor = Antenna Factor + Cable Loss – Pre-amplifier.

Operation Mode: TX CH High (2480MHz)

Horizontal (Worst case)

Frequency	Reading Result	Factor	Emission Level	Limits	Margin	Detector Type
(MHz)	(dB μ V)	(dB)	(dB μ V/m)	(dB μ V/m)	(dB)	
2483.50	56.47	-5.81	50.66	74	-23.34	peak
2483.50	/	-5.81	/	54	/	AVG
2500.00	54.69	-6.06	48.63	74	-25.37	peak
2500.00	/	-6.06	/	54	/	AVG

Remark: Factor = Antenna Factor + Cable Loss – Pre-amplifier.

Vertical:

Frequency	Reading Result	Factor	Emission Level	Limits	Margin	Detector Type
(MHz)	(dB μ V)	(dB)	(dB μ V/m)	(dB μ V/m)	(dB)	
2483.50	55.79	-5.81	49.98	74	-24.02	peak
2483.50	/	-5.81	/	54	/	AVG
2500.00	52.34	-6.06	46.28	74	-27.72	peak
2500.00	/	-6.06	/	54	/	AVG

Remark: Factor = Antenna Factor + Cable Loss – Pre-amplifier.

Remark: All the other emissions not reported were too low to read and deemed to comply with FCC limit.



6 OCCUPIED BANDWIDTH MEASUREMENT

6.1 Test Setup

Same as Radiated Emission Measurement

6.2 Test Procedure

1. The EUT was placed on a turn table which is 0.8m above ground plane.
2. Set EUT as normal operation.
3. Based on ANSI C63.10 section 6.9.2: RBW= 30KHz. VBW= 100 KHz, Span=2MHz.
4. The useful radiated emission from the EUT was detected by the spectrum analyser with peak detector.

6.3 Measurement Equipment Used

Same as Radiated Emission Measurement

6.4 Test Result

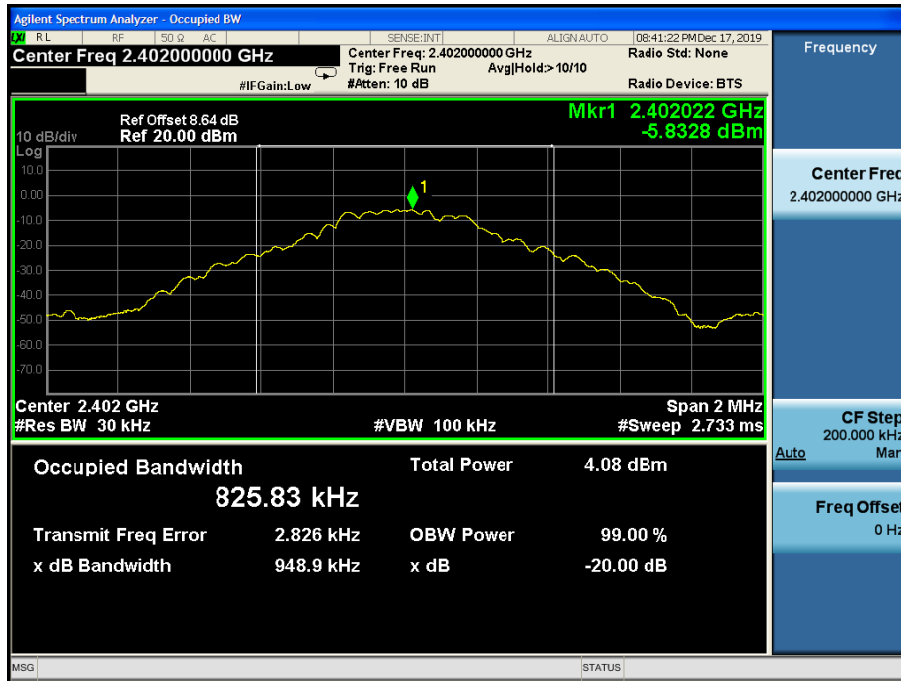
PASS

Test Mode	Frequency	20dB Bandwidth (MHz)	Result
GFSK	2402 MHz	0.9489	PASS
	2441 MHz	0.9485	PASS
	2480 MHz	0.9466	PASS
$\pi/4$ DQPSK	2402 MHz	1.317	PASS
	2441 MHz	1.318	PASS
	2480 MHz	1.315	PASS
8DPSK	2402 MHz	1.315	PASS
	2441 MHz	1.317	PASS
	2480 MHz	1.303	PASS



Test Mode: GFSK

CH: 2402MHz



CH: 2441MHz



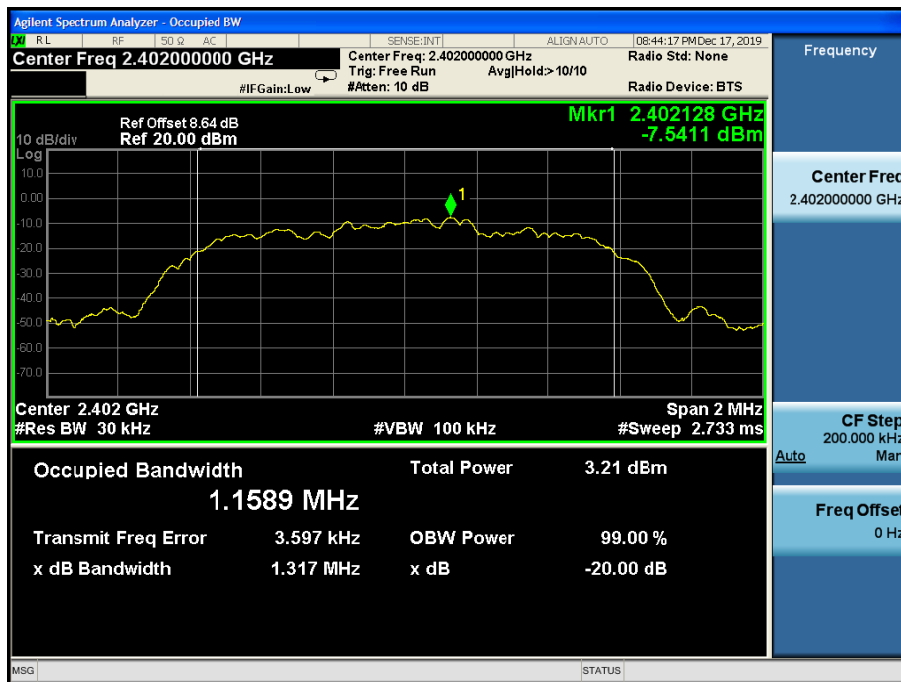


CH: 2480MHz



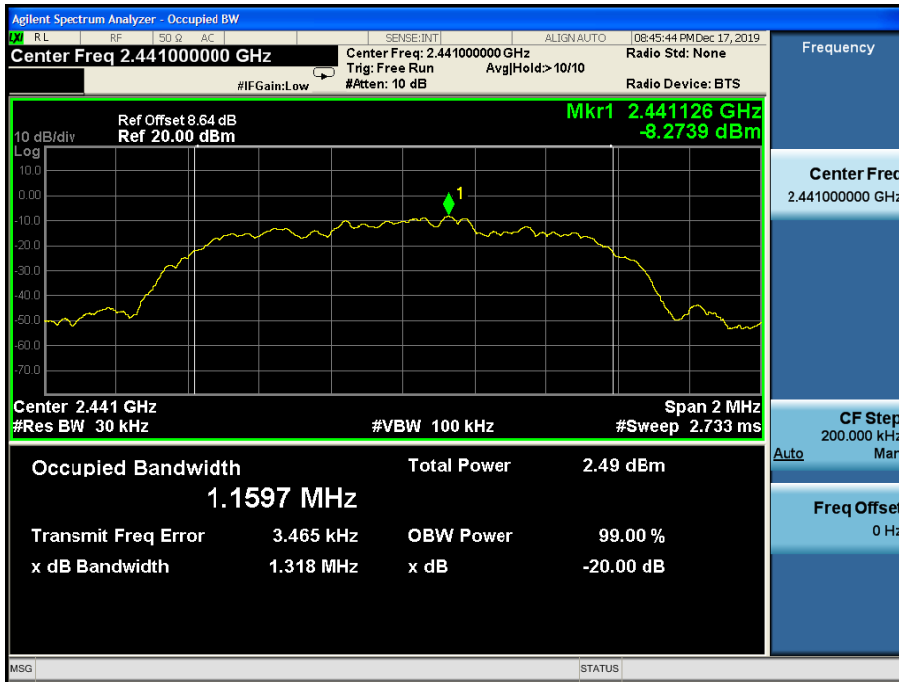
Test Mode: $\pi/4$ DQPSK

CH: 2402MHz

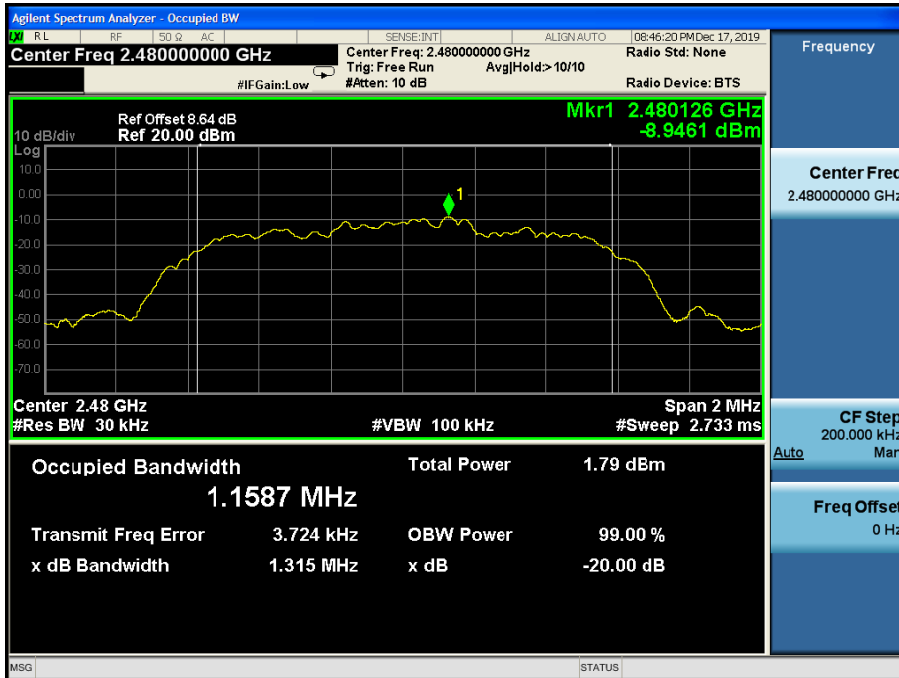




CH: 2441MHz



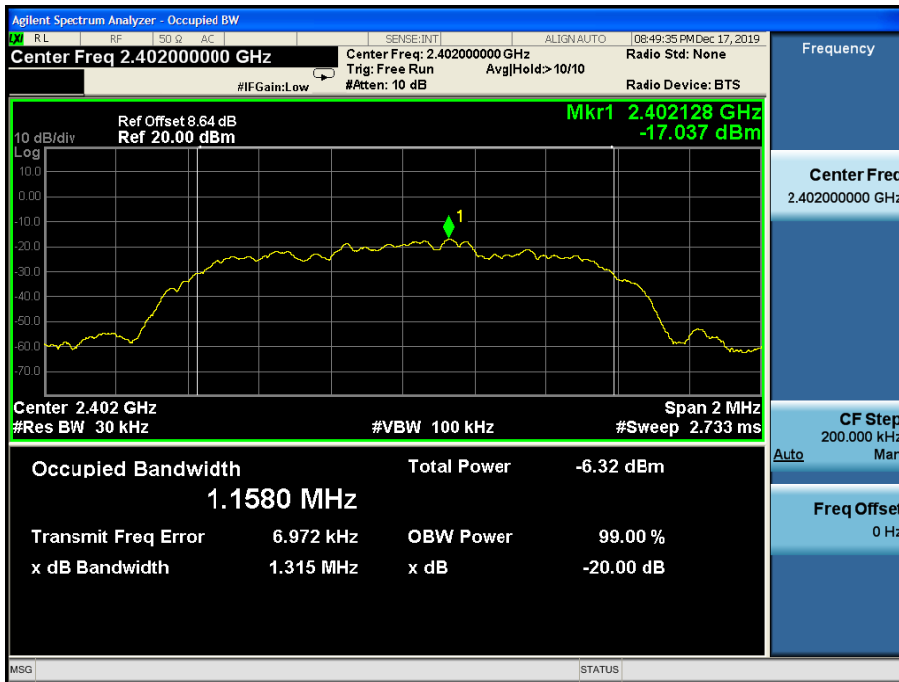
CH: 2480MHz



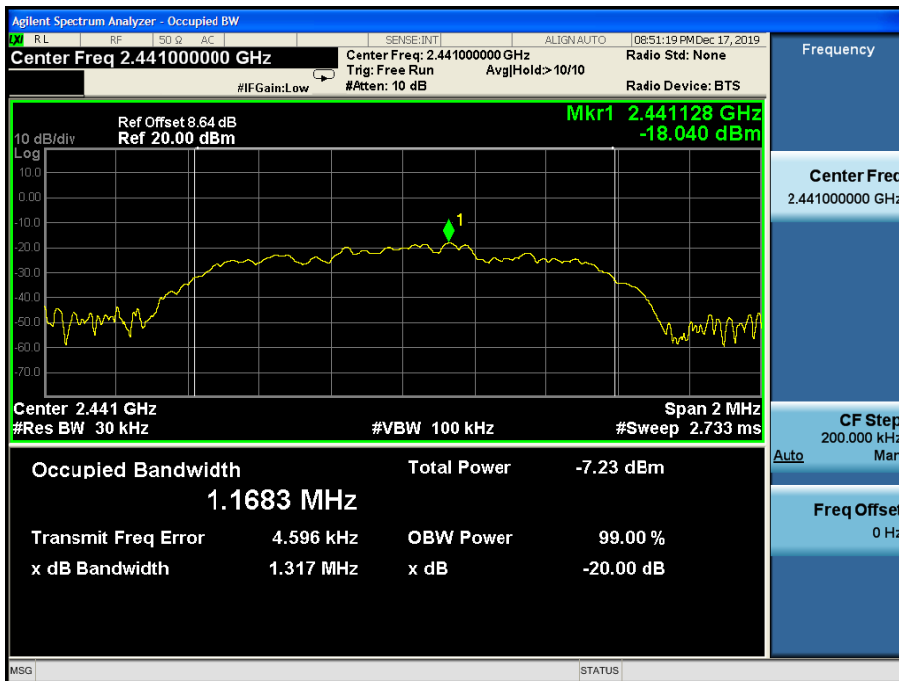


Test Mode: 8DPSK

CH: 2402MHz

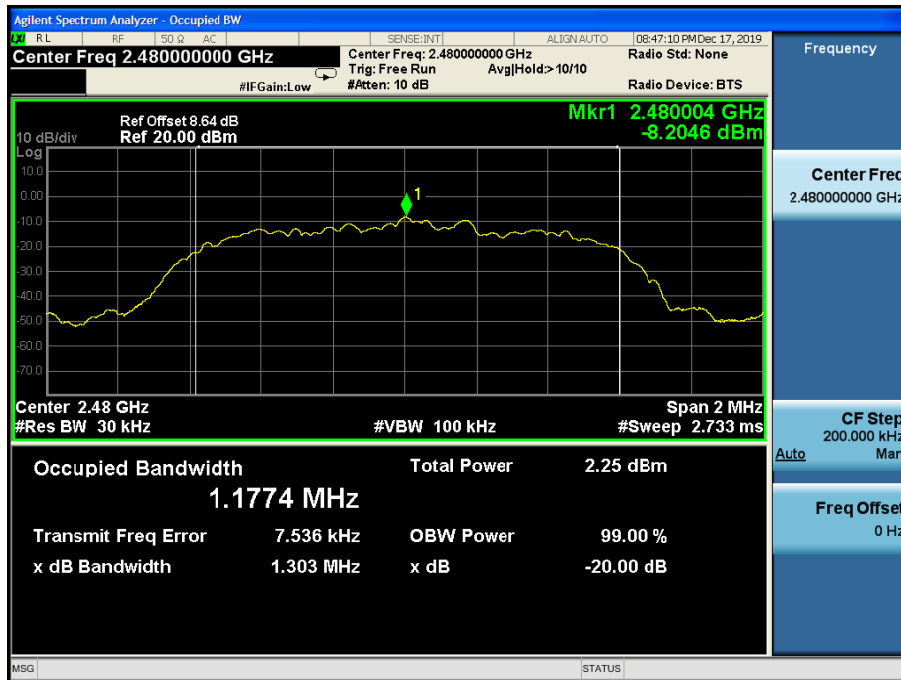


CH: 2441MHz





CH: 2480MHz



7 ANTENNA REQUIREMENT

Standard Applicable

For intentional device, according to FCC 47 CFR Section 15.203, an intentional radiator shall be designed to ensure that no antenna other than that furnished by the responsible party shall be used with the device. And according to FCC 47 CFR Section 15.249, if transmitting antennas of directional gain greater than 6dBi are used, the power shall be reduced by the amount in dB that the directional gain of the antenna exceeds 6dBi.

Antenna Connected Construction

The antenna used in this product is a External Antenna, The directional gains of antenna used for transmitting is 0dBi.

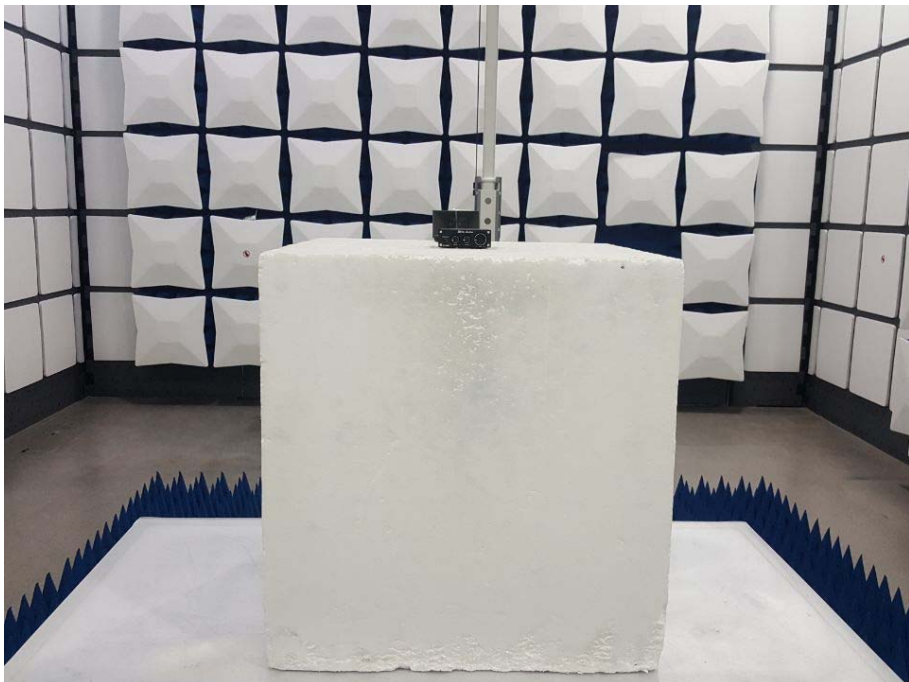
ANTENNA





8 PHOTOGRAPH OF TEST

8.1 Radiated Emission





8.2 Conducted Emission





9 PHOTOGRAPH OF TEST

Reference to the report: ANNEX A of external photos and ANNEX B of PCB photos

-----End of test report-----