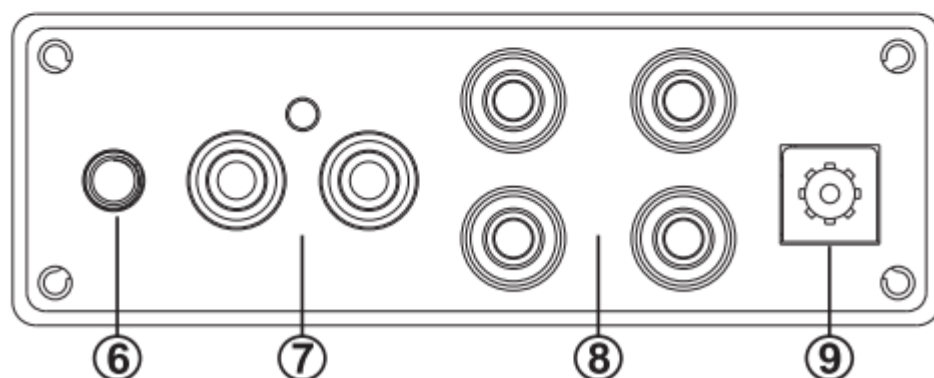
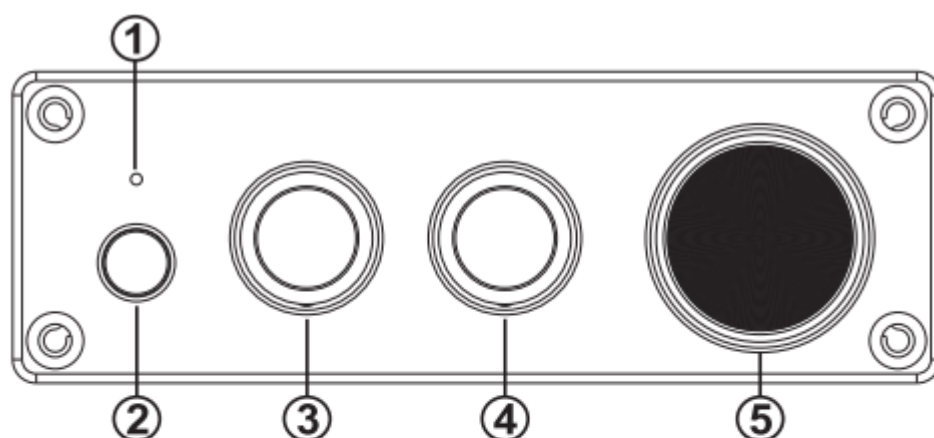


USER MANUAL

D503BT Desktop Digital Amplifier

Thank you very much for choosing our products! Please read this manual carefully before using the product.



- ①LED INDICATOR LIGHT
- ②POWER NO/OFF(Long press 3S to start, short press to switch bluetooth or RCA input)
- ③Bass Knob (increase clockwise and decrease counterclockwise)
- ④Treble Knob (increase clockwise and decrease counterclockwise)
- ⑤VOL+/- (increase clockwise and decrease counterclockwise)
- ⑥Bluetooth antenna (bluetooth is optional)
- ⑦Input interface of audio (Such as CD, DAC decoder, mobile phone, TV, etc., red to right channel input, white to left channel input)
- ⑧Speaker Output (red to positive, black to negative, L to leftspeaker and R to rightspeaker)
- ⑨Power interface (DC power shall not exceed 24V)

Operation Steps:

1. Make sure the VOL button to the minimum.
2. Connect the left and right speakers according to the interface instruction of the rear surface, and pay attention to distinguish positive and negative.
3. Connect the sound source that needs to be used (Use bluetooth transmission to refer to the next step)
4. Switch to bluetooth for bluetooth input when using bluetooth input, the blue light of bluetooth indicator flickers, and the blue light remains on after the phone is connected successfully
5. Connect to power.
6. Press the power switch.
7. Turn the VOL button clockwise to select the desired volume.
8. The tonal version can be rotated to select the appropriate EQ
9. After connecting the earphone output, the speaker will automatically disconnect

Bluetooth connection:

Press the power button, and press the power button again to enter the Bluetooth connection mode. At this time you will see the blue light flashing. Turn on your mobile phone and search for the device. You will see DROK-AUDIO, that is it. Click the connection to use the Bluetooth function Already.

Specifications:

Maxpower output	50W*2 4Ωload	Frequency Range	20Hz-20kHz(±3dB)
Headphone Maxpower output (Headphone Version)	70mW 32Ωload	THD	OUTPUT=1W 0.01%
headphone matching impedance	16-64Ω	SNR	≥98dB
Speakermatching impedance	4-8Ω	Dimension	L118.5*W98*H33MM
Working voltage	DC12-24V	Bare Weight	0.36Kg
Input Sensitivity	0.2mV	PackageDimension	L257*W215*H65MM

Frequently Asked Questions:

Q: All cables are connected, but no sound output?

A: 1. Check if the POWER indicator is on, and turn on the POWER if it is not on. When the indicator light is still not on after turn on the power, you can find a laptop power and connect to test whether it is the machine fault or a power failure.

2. If the indicator light is on, check whether the VOL knob is in the minimum position. If so, turn clockwise to normal Volume

3. If both of the above are normal, check the input device if it is paused, mute, or the volume is minimized.

Q: Why does the sound is cracking?

A: when the output power exceeds the normal power of amplifier, there will be a large distortion. you can turn down the front volume or the power amplifier volume, then it is ok.

Q: Why do loudspeakers make a lot of electric noise?

A: if you are not using the original factory standard power supply, please replace the power supply before testing. Many power supply in the market have large interference coefficient, which will cause a lot of current sound.

Q: Why connect signal line, not play music have interferential sound

A: If you use unshielded signal lines, there will be interference signals entering the power amplifier. If you hate the sound, you are advised to use the shielded signal lines or unplug the signal lines.

Q: Why does the amplifier stop working after a period of time? After a period of time off, it was working again

A: Normally in this case, the amplifier is overheat protected, and the output power may have exceeded the designed power, so you can lower the volume a little and try again.

Q: why does the volume of the machine stay the same, while the sound of different audio sources (such as CDS and mobile phones) is different?

A: The output range of different types of audio source devices is different, the mobile phone is usually 0.35mV, and the CD is 1V. The signal output amplitude of the sound source will directly influence the volume

Q: Why the sound of the power amplifier is not very good at the beginning, the high frequency is not clear, but after working for 8 hours the sound is normal?

A: Speaker and amplifier is a very sensitive equipment, also need to know each other, and the matching process, usually the sound will be good after the new power amplifier and the speaker work more than ten hours

Warning:

1. Please do not open the shell without permission. Improper operation may cause the danger of electric shock.
2. Please use the power supply of the regular manufacturer, otherwise it will damage the machine.
3. Please do not use the machine in a high temperature and humidity environment.

FCC Warning Statement

Changes or modifications not expressly approved by the party responsible for compliance could void the user's authority to operate the equipment. This equipment has been tested and found to comply with the limits for a Class B digital device, pursuant to Part 15 of the FCC Rules. These limits are designed to provide reasonable protection against harmful interference in a residential installation. This equipment generates uses and can radiate radio frequency energy and, if not installed and used in accordance with the instructions, may cause harmful interference to radio communications. However, there is no guarantee that interference will not occur in a particular installation. If this equipment does cause harmful interference to radio or television reception, which can be determined by turning the equipment off and on, the user is encouraged to try to correct the interference by one or more of the following measures:

- - Reorient or relocate the receiving antenna.
- - Increase the separation between the equipment and receiver.
- - Connect the equipment into an outlet on a circuit different from that to which the receiver is connected.
- - Consult the dealer or an experienced radio/TV technician for help.

This device complies with part 15 of the FCC Rules. Operation is subject to the following two conditions: (1) This device may not cause harmful interference, and (2) this device must accept any interference received, including interference that may cause undesired operation.

RF Exposure Statement

To maintain compliance with FCC's RF Exposure guidelines, This equipment should be installed and operated with minimum distance of 20cm the radiator your body. This device and its antenna(s) must not be co-located or operation in conjunction with any other antenna or transmitter