



7/27/2020

Re: Avedro's KXL 1B Remote Control Receiver - summary of use, installation, and location

This document describes the use, installation, and location of our KXL 1B Remote Control Receiver component (ENG-03812).

## 1. Summary of use

The receiver component is designed to only communicate with our KXL 1B Remote Control and is only installed in our KXL 1B Crosslinking product. The Receiver is only used for direct communication with our KXL 1B Remote Control. Our KXL 1B Crosslinking product is a professional medical device used for treating patients with Keratoconus.

## 2. Summary of Installation and location

The KXL 1B receiver is installed into a bracket assembly (ENG-03815) – see attachment-A. A USB Cable (ENG-03817) is then attached to the receiver that is connected directly to our KXL 1B Crosslinking product.

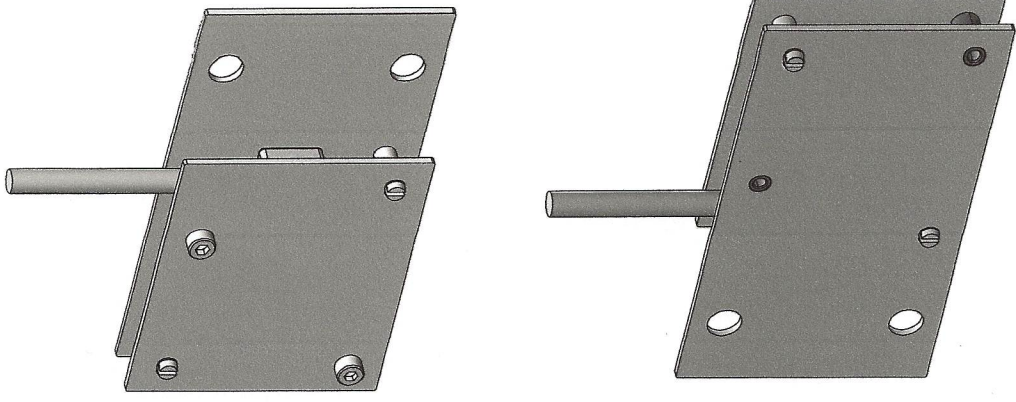
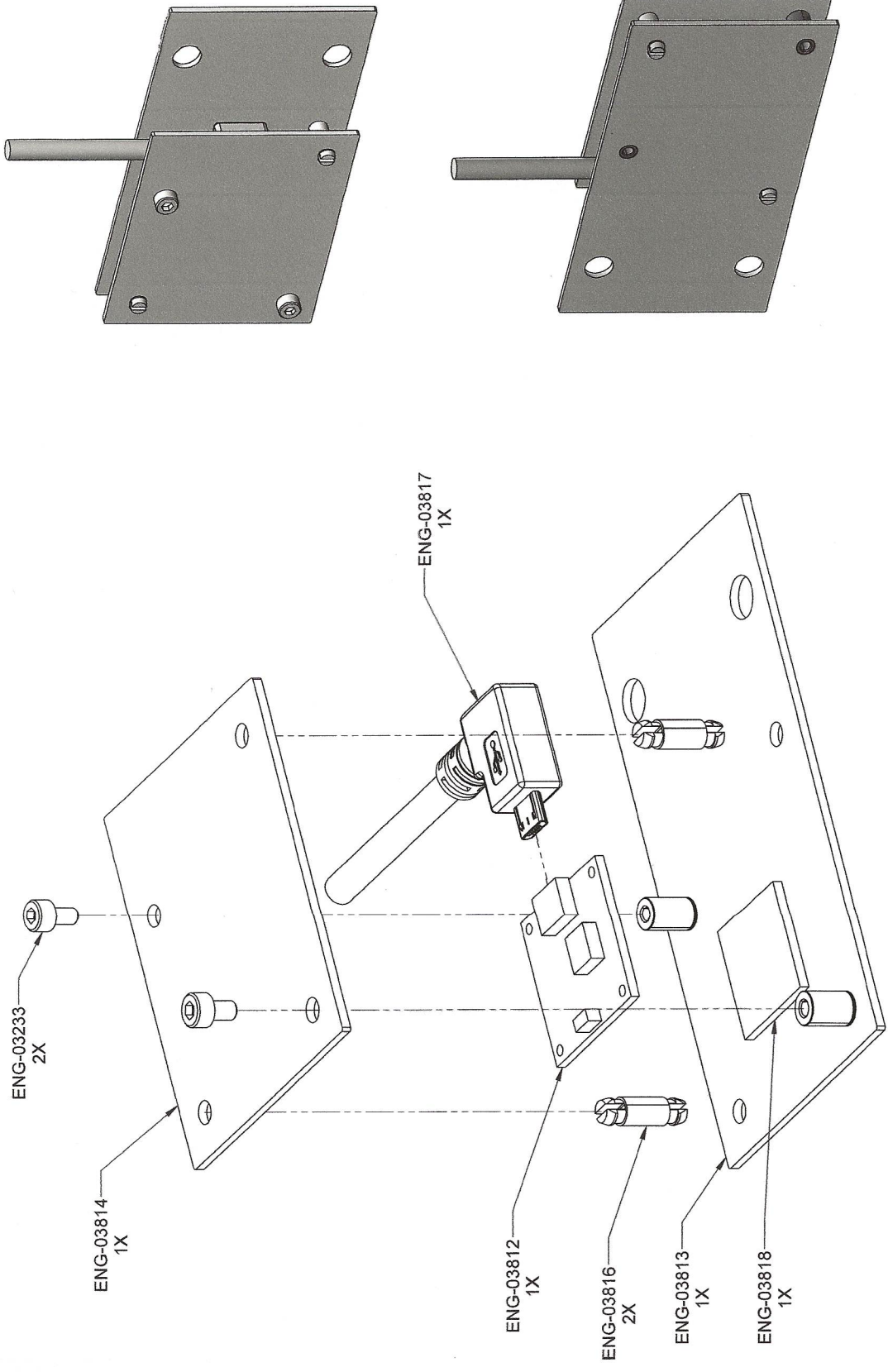
The bracket assembly is then installed internally into our KXL 1B product - See attachment-B (Detail-A). As a result, the receiver is not accessible by the end user.

In addition, our KXL 1B product including the remote control and receiver component can only be serviced in the field by trained Avedro technicians.



# ATTACHMENT - A

6 5 4 3 2 1



C B A

REFER TO SOLID MODEL FILE ENG-03816 FOR ALL GEOMETRIC DATA  
 UNLESS OTHERWISE SPECIFIED:  
 DIMENSIONS ARE IN MILLIMETERS  
 DRAFTING STANDARD PER  
 ASME Y14.5-2009  
 (THIRD ANGLE PROJECTION)  
 ANGULAR TOLERANCES: 0.5°  
 X = ±1.0 X ±0.5  
 XX = ±0.25 XXX = ±0.125

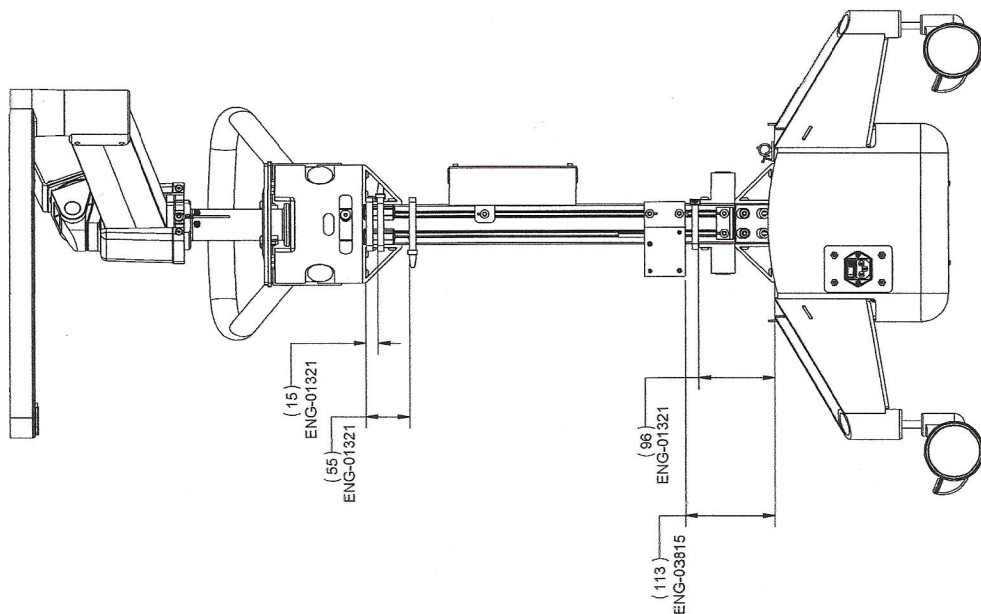
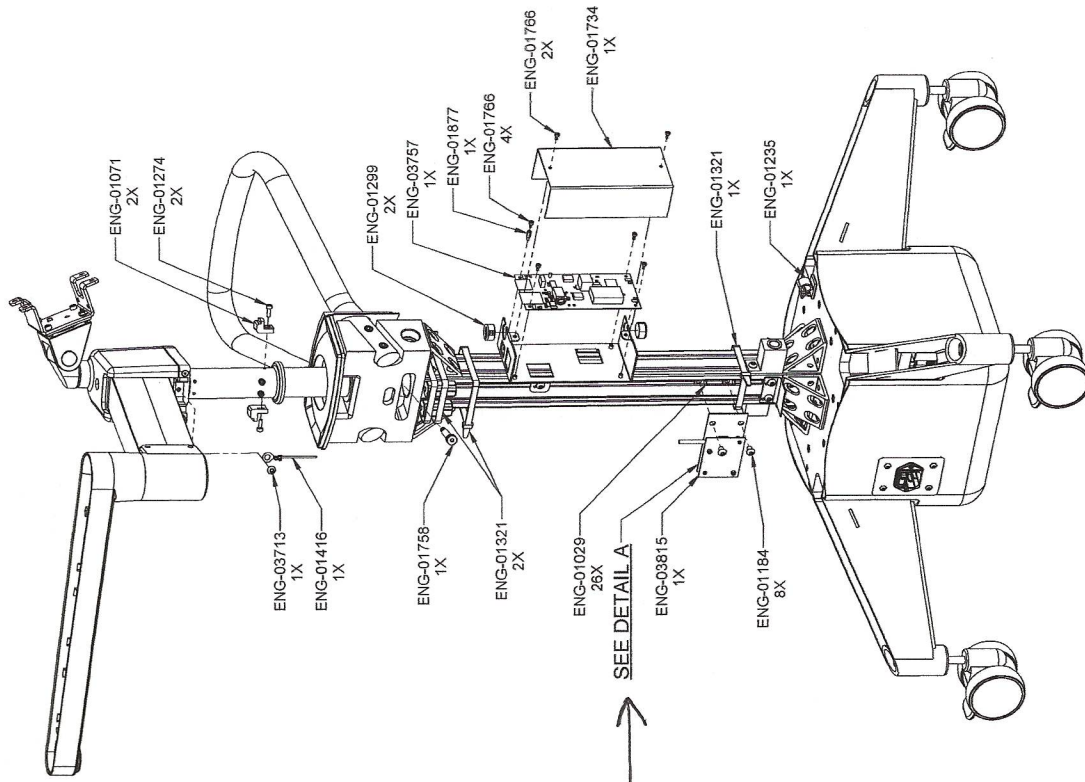
MATERIAL: SEE B.O.M.  
 FINISH: NA  
 SURFACE: NA ✓

**avedro**  
 1201 Jones Road, 5th Floor West 1  
 Waltham MA 02451  
 THE PROVIDED DIMENSIONS AND TOLERANCES ARE  
 FOR INFORMATION ONLY AND DO NOT CONSTITUTE A  
 WARRANTY OF ANY KIND. THE DIMENSIONS  
 PROVIDED IN THIS DRAWING ARE FOR THE  
 PRODUCTION OF THIS DRAWING ONLY.

TITLE: **ETR RECEIVER BRACKET ASSEMBLY**  
 SIZE: DWG. No. **B** ENG-03815  
 REV: **01**  
 DESIGNED BY: Mike Amato  
 SHEET 1 OF 1

6 5 4 3 2 1

# ATTACHMENT - B



DETAIL A

**MULTIPLE ITEMS NOT SHOW ON THI SHEET FOR CLARITY**

		TITLE: KXL 1B TOP LEVEL OUS ASSEMBLY
SIZE: 1000, 100	REV: C	REV: 01
1201 Washington Ave. 10053 BOSTON, MA 02118 TEL: 617-552-1000 FAX: 617-552-1001 WWW.AVEDRO.COM		AUTHOR: Doug Flynn
		SHEET 2 OF 7